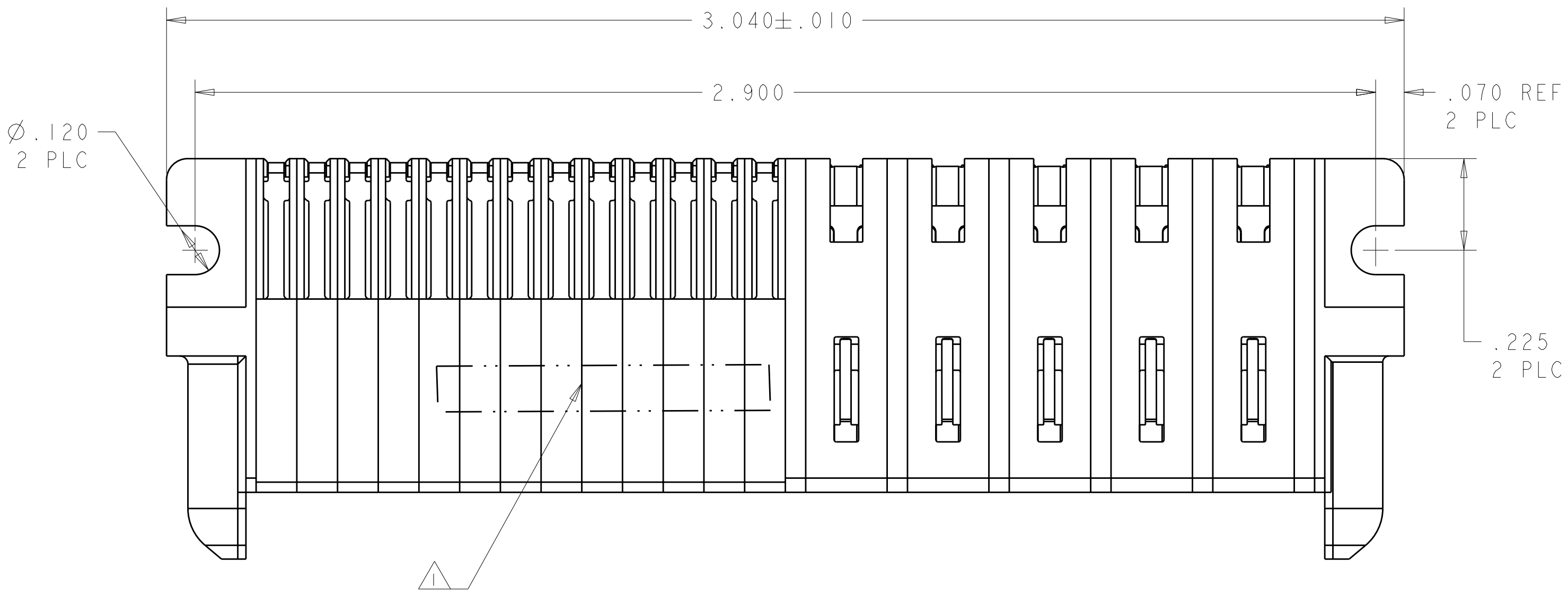
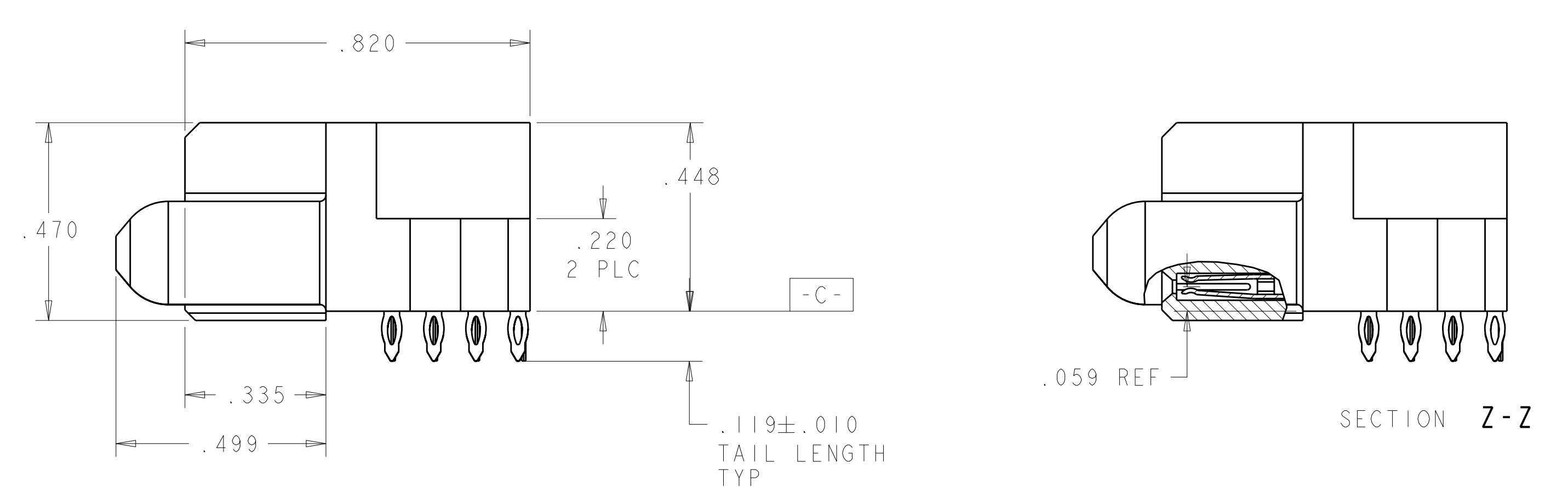
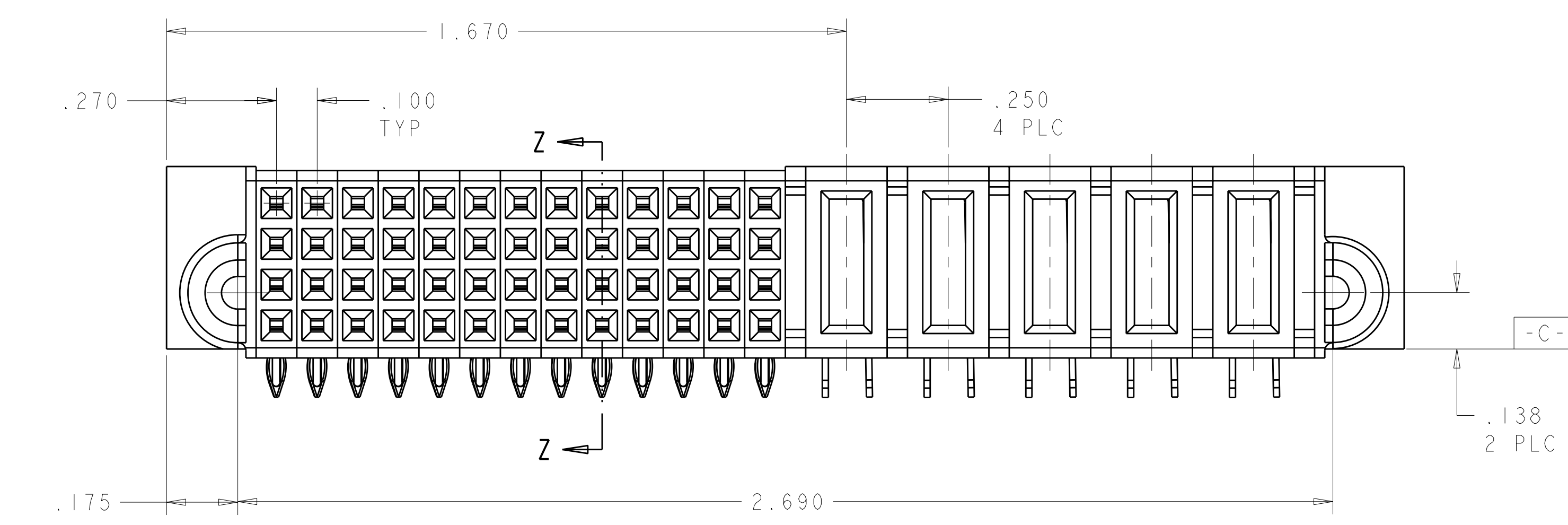


LOC	DIST	REVISIONS			
REV	DATE	DESCRIPTION	DATE	DWN	APVD
ES	00				
A1		REV PER ECR-09-010583	11MAY2009	CZ	SY
A2		REV PER ECR-09-013640	16JUN2009	CZ	SY
A3		REV PER ECR-09-015550	10JUL2009	CZ	SY
A5		REV PER ECR-11-008404	07DEC2009	CZ	SY



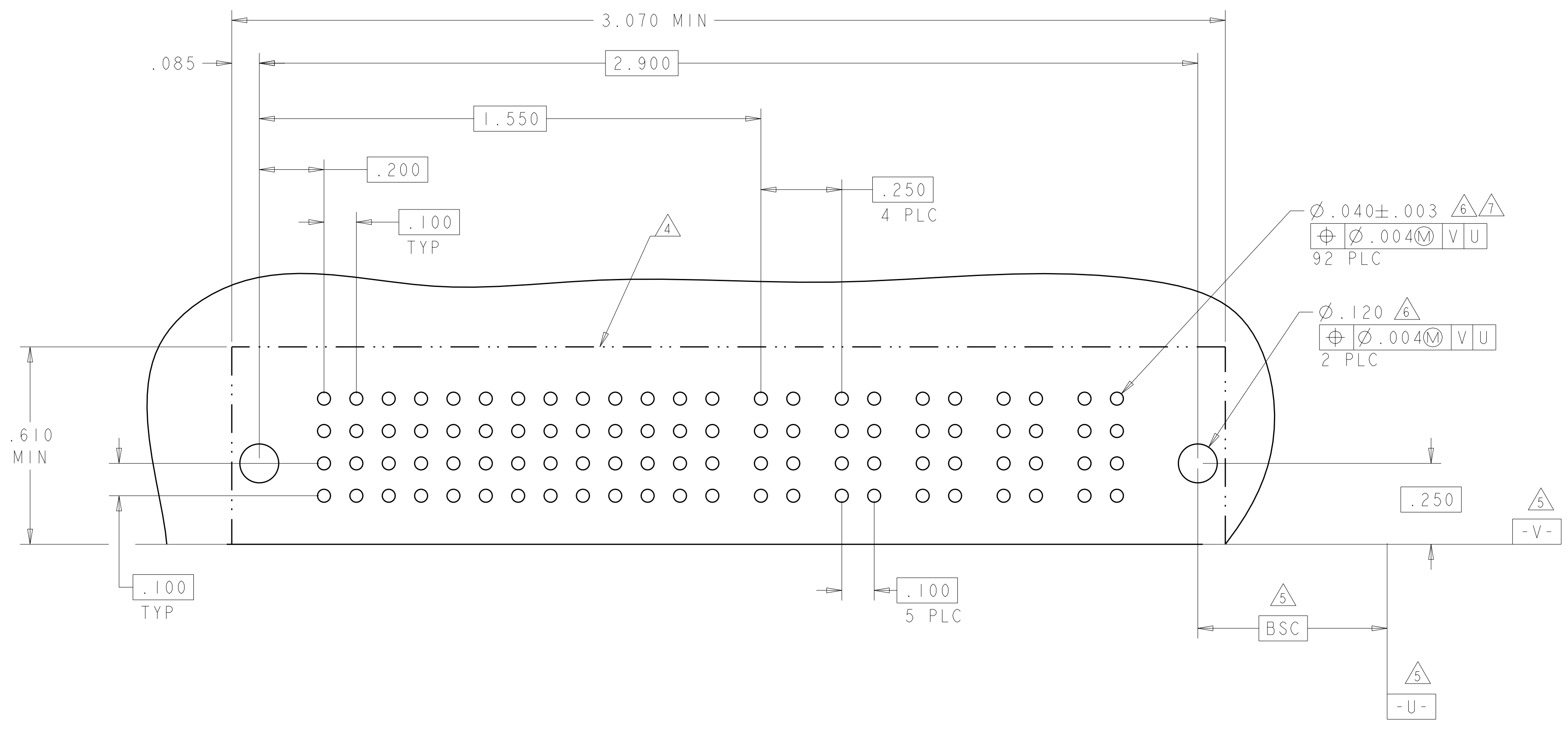
- 1 "AMP", PART NUMBER, AND DATECODE TO BE MARKED IN AREA SHOWN. PARTS UNDER 2.00[50.8] LONG MAY BE MARKED ON BOTH SIDES.
- 2 MATERIAL: HOUSING - GLASS FILLED HIGH TEMP THERMO PLASTIC, BLACK, UL94 V-0
 SIGNAL CONTACT - COPPER ALLOY
 POWER CONTACT - HIGH CONDUCTIVITY COPPER ALLOY
- 3 CONTACT PLATING: SIGNAL CONTACTS - .000050 MIN Ni UNDER ALL.
 .000030 MIN. Au ON CONTACT AREA.
 .000100 MIN Sn AT PCB INTERFACE.
 POWER CONTACTS - .000050 MIN Ni UNDER ALL.
 .000030 MIN Au AT CONTACT AREA.
 .000100 MIN Sn AT PCB INTERFACE.
- 4 MECHANICAL CONNECTOR KEEP OUT ZONE.
- 5 DATUM AND BASIC DIMENSIONS ESTABLISHED BY CUSTOMER.
- 6 PCB - HOLE DIAMETERS ARE FINISHED HOLE SIZE.
- 7 PCB - .0453 ± .0010 DRILLED HOLES PLATED WITH .0003 MIN Sn OVER .001 TO .003 Cu PLATING TO ACHIEVE A .040 DIA HOLE.



52S + 5P		6450882-5	
DESCRIPTION		PART NUMBER	
Tyco Electronics Corporation Shanghai, P.R.China, 200233			
DIMENSIONS: INCHES		TOLERANCES UNLESS OTHERWISE SPECIFIED: 9 PLC ±.01 1 PLC ±.01 2 PLC ±.01 3 PLC ±.005 4 PLC ±.0020 ANGLES ±.0°	
MATERIAL: 2		FINISH: 3	
DWN: C. ZHOU 31MAR2009 CHK: S. ZHAO 31MAR2009 APVD: S. YAO		NAME: INVERTED RIGHT ANGLE RECEPTACLE AND SHORT END MODULAR MULTI-BEAM XLE	
PRODUCT SPEC: 108-2292 APPLICATION SPEC: 114-13038		SIZE: A100779 CAGE CODE: C=6450882-5 DRAWING NO: 6450882-5	
CUSTOMER DRAWING		SCALE: 4:1 SHEET 1 OF 2 REV A5	

LOC	DIST	REV	DATE	DWN	APVD
ES	00				
REVISIONS					
		DESCRIPTION			
		SEE SHEET 1			

PART NUMBER	ROWS	SIGNAL													POWER				
		1	2	3	4	5	6	7	8	9	10	11	12	13	P1	P2	P3	P4	P5
6450882-5	A	A	A	A	A	A	A	A	A	A	A	A	A	RS	RP	RS	RS	RP	
	B	B	B	B	B	B	B	B	B	B	B	B	B						
	C	C	C	C	C	C	C	C	C	C	C	C	C						
	D	D	D	D	D	D	D	D	D	D	D	D	D						
52S + 5P																			



STD PRESS FIT SIGNAL CONTACT, .119 TAIL LENGTH, ROW D	D
STD PRESS FIT SIGNAL CONTACT, .119 TAIL LENGTH, ROW C	C
STD PRESS FIT SIGNAL CONTACT, .119 TAIL LENGTH, ROW B	B
STD PRESS FIT SIGNAL CONTACT, .119 TAIL LENGTH, ROW A	A
MFBL PRESS FIT POWER CONTACT, .119 TAIL LENGTH	RP
STD PRESS FIT POWER CONTACT, .119 TAIL LENGTH	RS
DESCRIPTION	IDENTIFIER

<small>THIS DRAWING IS UNPUBLISHED. RELEASED FOR PUBLICATION. THIS DRAWING IS UNPUBLISHED. RELEASED FOR PUBLICATION. THIS DRAWING IS UNPUBLISHED. RELEASED FOR PUBLICATION.</small>		DWN	31MAR2009	Tyco Electronics Corporation	
<small>THIS IS SUBJECT TO CHANGE WITHOUT NOTICE AND WITHOUT OBLIGATION. SHOULD BE CONTACTED FOR THE LATEST REVISION.</small>		CHK	S. ZHAO	Shanghai, P.R.China. 200233	
DIMENSIONS: INCHES 		APVD	S. YAO	NAME	
TOLERANCES UNLESS OTHERWISE SPECIFIED: 9 PLC ±.01 5 PLC ±.01 4 PLC ±.005 ANGLES ±.0020 FINISH #2		PRODUCT SPEC	INVERTED RIGHT ANGLE RECEPTACLE AND SHORT END MODULAR MULTI-BEAM XLE		
MATERIAL		APPLICATION SPEC	SIZE CAGE CODE DRAWING NO RESTRICTED TO		
		114-13038	A100779C=6450882-5		
		WEIGHT	CUSTOMER DRAWING		
			SCALE	SHEET	REV
			4:1	2 OF 2	A5