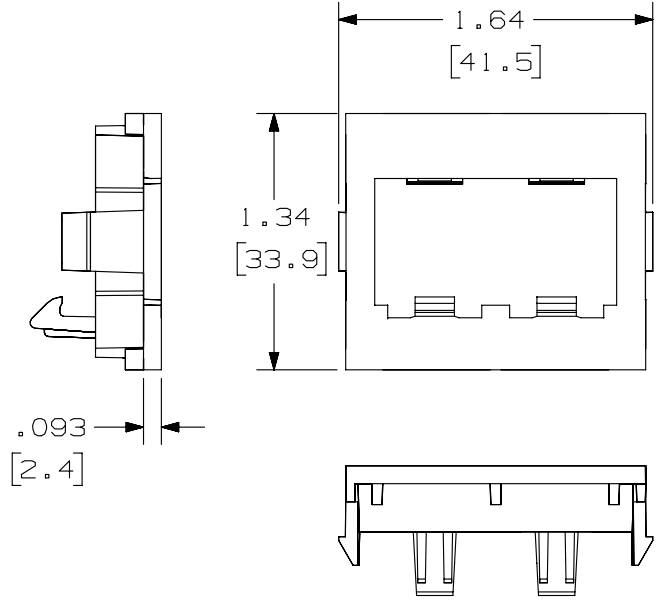


2

1

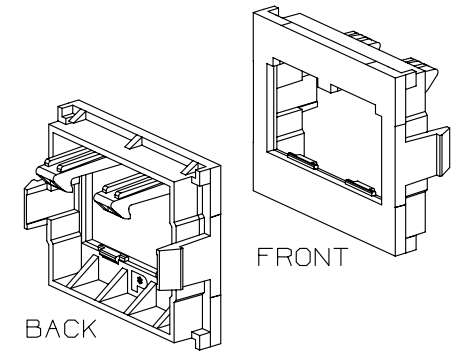
THIS COPY IS PROVIDED ON A RESTRICTED BASIS AND IS NOT TO BE USED IN ANY WAY DETRIMENTAL TO THE INTERESTS OF PANDUIT CORP.

PANDUIT P/N	WEIGHT
CHF2**-X	.9 LB/100 PCS (410g/100 PCS)



NOTES:

1. SEE CURRENT CATALOG FOR ADDITIONAL PART NUMBER SUFFIXES TO INDICATE COLOR AND OR PACKAGE QUANTITY.
2. IS TO BE USED WITH THE MINI-COM BEZELS AND MINI-COM MODULES.
3. DIMENSIONS IN PARENTHESES ARE IN METRIC.



PART NUMBER		CHF2**-X	
TITLE			
MINI-COM 2 POSITION 1/2 SIZE FLAT		MODULE INSERT	
CUSTOMER DRAWING			
ITEM REVISION NAME		D35241BI/00	
DATASET FILE NAME		D35241BI_DC/00C	
UNLESS OTHERWISE SPECIFIED, DIMENSIONAL TOLERANCES ARE: IN (mm)		MATERIAL:	
.x ± .xxx ± .010 (.3)		ABS	
.xx ± .03 (.8) ANGLES ±		DRAWING NUMBER:	
THIRD ANGLE PROJECTION		35241-09	
DRAWN BY	DATE	CHK	SCALE
DW	3-05-96	CEF	NONE
SHT 1 OF 1		SIZE	
A		A	

3	4/23/14	JSP	REFR	MMR	REVISED AND REDRAWN, PREVIOUS REVISIONS HAVE BEEN OMITTED.	35241-09
REV	DATE	BY	CHK	APR	DESCRIPTION	ECN

2

1

D10100DA/14