

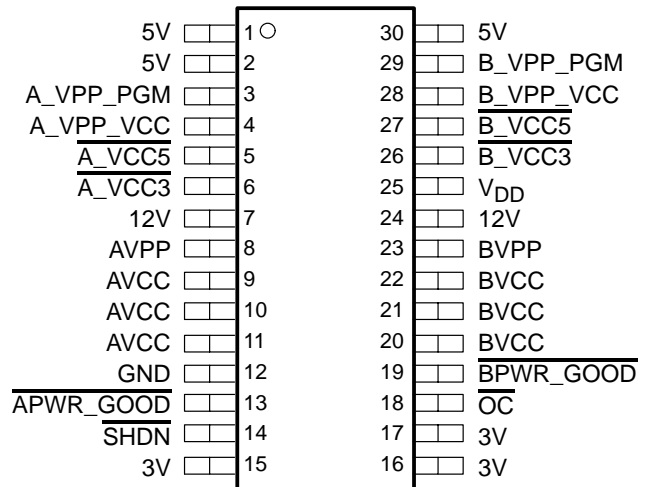
# TPS2201

## DUAL-SLOT PC CARD POWER-INTERFACE SWITCHES FOR PARALLEL PCMCIA CONTROLLERS

SLVS094C – AUGUST 1994 – REVISED JANUARY 2001

- Fully Integrated  $V_{CC}$  and  $V_{pp}$  Switching for Dual-Slot PC Card™ Interface
- Compatible With Controllers From Cirrus, Intel, and Texas Instruments
- Meets PCMCIA Standards
- Internal Charge Pump (No External Capacitors Required) – 12-V Supply Can Be Disabled Except for Programming
- Short-Circuit and Thermal Protection
- Space Saving SSOP (DB) Package
- For 3.3-V, 5-V and 12-V PC Cards
- Power Saving  $I_{DD} = 83 \mu A$  Typ,  $I_Q = 1 \mu A$
- Low  $r_{DS(on)}$  (160-m $\Omega$   $V_{CC}$  Switch)
- Break-Before-Make Switching

DB OR DF PACKAGE  
(TOP VIEW)

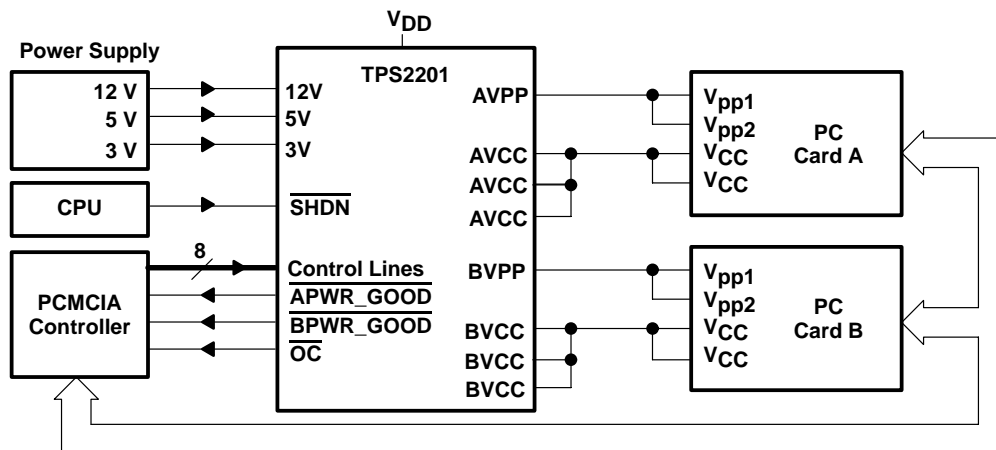


### description

The TPS2201 PC Card (PCMCIA) power interface switch provides an integrated power-management solution for two PC Cards. All of the discrete power MOSFETs, a logic section, current limiting, thermal protection, and power-good reporting for PC Card control are combined on a single integrated circuit (IC), using Texas Instruments LinBiCMOS™ process. The circuit allows the distribution of 3-V, 5-V and/or 12-V card power and is compatible with most PCMCIA controllers. The current-limiting feature eliminates the need for fuses, which reduces component count and improves reliability; current-limit reporting can help the user isolate a system fault to a bad card.

The TPS2201 maximizes battery life by generating its own switch-drive voltage using an internal charge pump. Therefore, the 12-V supply can be powered down and only brought out of standby when flash memory needs to be written to or erased. End equipment for the TPS2201 includes notebook computers, desktop computers, personal digital assistants (PDAs), digital cameras, handterminals, and bar-code scanners.

### typical PC card power distribution application



Please be aware that an important notice concerning availability, standard warranty, and use in critical applications of Texas Instruments semiconductor products and disclaimers thereto appears at the end of this data sheet.

PC Card is a trademark of PCMCIA (Personal Computer Memory Card International Association).  
LinBiCMOS is a trademark of Texas Instruments.

PRODUCTION DATA information is current as of publication date. Products conform to specifications per the terms of Texas Instruments standard warranty. Production processing does not necessarily include testing of all parameters.



POST OFFICE BOX 655303 • DALLAS, TEXAS 75265

Copyright © 2001, Texas Instruments Incorporated

# TPS2201 DUAL-SLOT PC CARD POWER-INTERFACE SWITCHES FOR PARALLEL PCMCIA CONTROLLERS

SLVS094C – AUGUST 1994 – REVISED JANUARY 2001

## AVAILABLE OPTIONS

T <sub>J</sub>	PACKAGED DEVICES		CHIP FORM (Y)
	SHRINK SMALL-OUTLINE (DB) <sup>†</sup>	SMALL-OUTLINE (DF) <sup>†</sup>	
–40°C to 150°C	TPS2201IDBR	TPS2201IDFR	TPS2201Y

<sup>†</sup> The DB and DF packages are only available taped and reeled, indicated by the R suffix on the device type.

## Terminal Functions

TERMINAL NAME	NO.	I/O	DESCRIPTION
A_VCC3	6	I	Logic input that controls voltage on AVCC (see control-logic table)
A_VCC5	5	I	Logic input that controls voltage on AVCC (see control-logic table)
A_VPP_PGM	3	I	Logic input that controls voltage on AVPP (see control-logic table)
A_VPP_VCC	4	I	Logic input that controls voltage on AVPP (see control-logic table)
APWR_GOOD	13	O	Logic-level power-ready output that stays low as long as AVPP is within limits
AVCC	9, 10, 11	O	Switched output that delivers 0 V, 3.3 V, 5 V, or high impedance
AVPP	8	O	Switched output that delivers 0 V, 3.3 V, 5 V, 12 V, or high impedance
B_VCC3	26	I	Logic input that controls voltage on BVCC (see control-logic table)
B_VCC5	27	I	Logic input that controls voltage on BVCC (see control-logic table)
B_VPP_PGM	29	I	Logic input that controls voltage on BVPP (see control-logic table)
B_VPP_VCC	28	I	Logic input that controls voltage on BVPP (see control-logic table)
BPWR_GOOD	19	O	Logic-level power-ready output that stays low as long as BVPP is within limits
BVCC	20, 21, 22	O	Switched output that delivers 0 V, 3.3 V, 5 V, or high impedance
BVPP	23	O	Switched output that delivers 0 V, 3.3 V, 5 V, 12 V, or high impedance
SHDN	14	I	Logic input that shuts down the TPS2201 and set all power outputs to high-impedance state
OC	18	O	Logic-level overcurrent reporting output that goes low when an overcurrent condition exists
VDD	25		5-V power to chip
GND	12		Ground
3V	15, 16, 17	I	3-V V <sub>CC</sub> input for card power
5V	1, 2, 30	I	5-V V <sub>CC</sub> input for card power
12V	7, 24	I	12-V VPP input for card power



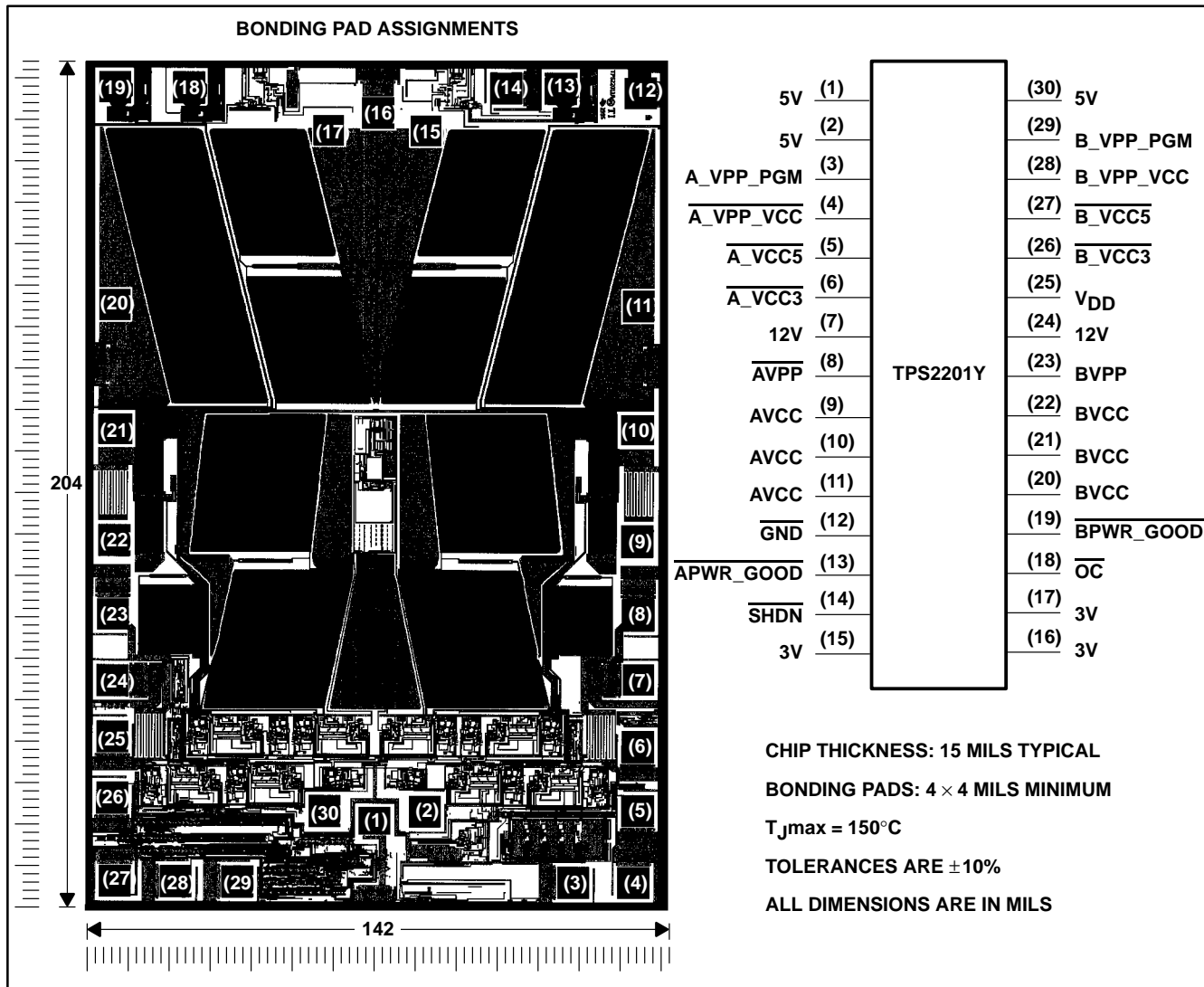
POST OFFICE BOX 655303 • DALLAS, TEXAS 75265

# TPS2201 DUAL-SLOT PC CARD POWER-INTERFACE SWITCHES FOR PARALLEL PCMCIA CONTROLLERS

SLVS094C – AUGUST 1994 – REVISED JANUARY 2001

## TPS2201Y chip information

This chip, when properly assembled, displays characteristics similar to the TPS2201. Thermal compression or ultrasonic bonding may be used on the doped aluminum bonding pads. The chip may be mounted with conductive epoxy or a gold-silicon preform.



**TPS2201**  
**DUAL-SLOT PC CARD POWER-INTERFACE SWITCHES**  
**FOR PARALLEL PCMCIA CONTROLLERS**

SLVS094C – AUGUST 1994 – REVISED JANUARY 2001

**absolute maximum ratings over operating free-air temperature (unless otherwise noted)†**

Supply voltage range, $V_{DD}$ .....	-0.3 V to 7 V
Input voltage range for card power: $V_{I(5V)}$ .....	-0.3 V to 7 V
$V_{I(3V)}$ .....	-0.3 V to $V_{I(5V)}$
$V_{I(12V)}$ .....	-0.3 V to 14 V
Logic input voltage .....	-0.3 V to 7 V
Continuous total power dissipation .....	See Dissipation Rating Table
Output current (each card): $I_{O(xVCC)}$ .....	internally limited
$I_{O(xVPP)}$ .....	internally limited
Operating virtual junction temperature range, $T_J$ .....	-40°C to 150°C
Operating free-air temperature range, $T_A$ .....	-40°C to 85°C
Storage temperature range, $T_{stg}$ .....	-55°C to 150°C
Lead temperature 1,6 mm (1/16 inch) from case for 10 seconds .....	260°C

† Stresses beyond those listed under “absolute maximum ratings” may cause permanent damage to the device. These are stress ratings only, and functional operation of the device at these or any other conditions beyond those indicated under “recommended operating conditions” is not implied. Exposure to absolute-maximum-rated conditions for extended periods may affect device reliability.

**DISSIPATION RATING TABLE**

PACKAGE	$T_A \leq 25^\circ\text{C}$ POWER RATING	DERATING FACTOR‡ ABOVE $T_A = 25^\circ\text{C}$	$T_A = 70^\circ\text{C}$ POWER RATING	$T_A = 85^\circ\text{C}$ POWER RATING
DB	1024 mW	8.2 mW/°C	655 mW	532 mW
DF	1158 mW	9.26 mW/°C	741 mW	602 mW

‡ Maximum values are calculated using a derating factor based on  $R_{\theta JA} = 108^\circ\text{C}/\text{W}$  for the package. These devices are mounted on an FR4 board with no special thermal considerations.

**recommended operating conditions**

		MIN	MAX	UNIT
Supply voltage, $V_{DD}$		4.75	5.25	V
Input voltage range, $V_I$	$V_{I(5V)}$	0	5.25	V
	$V_{I(3V)}$	0	$V_{I(5V)}$ §	V
	$V_{I(12V)}$	0	13.5	V
Output current, $I_O$	$I_{O(xVCC)}$ at 25°C		1	A
	$I_{O(xVPP)}$ at 25°C		150	mA
Operating virtual junction temperature, $T_J$		-40	125	°C

§  $V_{I(3V)}$  should not be taken above  $V_{I(5V)}$ .



# TPS2201

## DUAL-SLOT PC CARD POWER-INTERFACE SWITCHES FOR PARALLEL PCMCIA CONTROLLERS

SLVS094C – AUGUST 1994 – REVISED JANUARY 2001

electrical characteristics,  $T_A = 25^\circ\text{C}$ ,  $V_{DD} = 5\text{ V}$  (unless otherwise noted)

### dc characteristics

PARAMETER		TEST CONDITIONS	TPS2201			UNIT
			MIN	TYP	MAX	
Switch resistances	5 V to xVCC				160	m $\Omega$
	3 V to xVCC				225	
	5 V to xVPP				6	$\Omega$
	3 V to xVPP				6	
	12 V to xVPP				1	
Clamp low voltage		$I_{pp}$ at 10 mA			0.8	V
Clamp low voltage		$I_{CC}$ at 10 mA			0.8	V
Leakage current	$I_{pp}$ High-impedance state	$T_A = 25^\circ\text{C}$		1	10	$\mu\text{A}$
		$T_A = 85^\circ\text{C}$			50	
	$I_{CC}$ High-impedance state	$T_A = 25^\circ\text{C}$		1	10	
		$T_A = 85^\circ\text{C}$			50	
Input current	$I_{DD}$	$V_{O(AVCC)} = V_{O(BVCC)} = 5\text{ V}$ , $V_{O(AVPP)} = V_{O(BVPP)} = 12\text{ V}$		83	150	$\mu\text{A}$
	$I_{DD}$ in shutdown	$V_{O(BVCC)} = V_{O(AVCC)} = V_{O(AVPP)}$ $= V_{O(BVPP)} = \text{high Z}$			1	$\mu\text{A}$
Power-ready threshold, $\overline{\text{PWR\_GOOD}}$			10.72	11.05	11.4	V
Power-ready hysteresis, $\overline{\text{PWR\_GOOD}}$ (12-V mode)				50		mV
Short-circuit output-current limit	$I_{O(xVCC)}$	$T_J = 85^\circ\text{C}$ , Output shorted to GND	0.75	1.3	1.9	A
	$I_{O(xVPP)}$		120	200	400	mA

### logic section

PARAMETER		TEST CONDITIONS	TPS2201		UNIT
			MIN	MAX	
Input current				1	$\mu\text{A}$
High-level input voltage			2.7		V
Low-level input voltage				0.8	V
High-level output voltage		$I_O = 1\text{ mA}$	$V_{DD} - 0.4$		V
Low-level output voltage			0.4		V

### switching characteristics†

PARAMETER		TEST CONDITIONS	TPS2201			UNIT
			MIN	TYP	MAX	
$t_r$ Output rise time		$V_{O(xVCC)}$		1.2		ms
		$V_{O(xVPP)}$		5		
$t_f$ Output fall time		$V_{O(xVCC)}$		10		ms
		$V_{O(xVPP)}$		14		
$t_{pd}$ Propagation delay (see Figure 1‡)		$V_{I(x\_VPP\_PGM)}$ to $V_{O(xVPP)}$	$t_{on}$	5.8		ms
			$t_{off}$	18		
		$V_{I(x\_VCC3)}$ to xVCC (3 V)	$t_{on}$	5.8		ms
			$t_{off}$	28		
		$V_{I(x\_VCC5)}$ to xVCC (5 V)	$t_{on}$	4		ms
			$t_{off}$	30		

† Refer to Parameter Measurement Information

‡ Rise and fall times are with  $C_L = 100\text{ }\mu\text{F}$ .



**TPS2201**  
**DUAL-SLOT PC CARD POWER-INTERFACE SWITCHES**  
**FOR PARALLEL PCMCIA CONTROLLERS**

SLVS094C – AUGUST 1994 – REVISED JANUARY 2001

**electrical characteristics,  $T_A = 25^\circ\text{C}$ ,  $V_{DD} = 5\text{ V}$  (unless otherwise noted) (continued)**

**dc characteristics**

PARAMETER		TEST CONDITIONS	TPS2201Y			UNIT
			MIN	TYP	MAX	
Leakage current	$I_{pp}$ High-impedance state		1			$\mu\text{A}$
	$I_{CC}$ High-impedance state		1			
Input current	$I_{DD}$	$V_{O(AVCC)} = V_{O(BVCC)} = 5\text{ V}$ , $V_{O(AVPP)} = V_{O(BVPP)} = 12\text{ V}$	83			$\mu\text{A}$
Power-ready threshold, $\overline{\text{PWR\_GOOD}}$			11.05			V
Power-ready hysteresis, $\overline{\text{PWR\_GOOD}}$ (12-V mode)			50			mV

**switching characteristics†**

PARAMETER		TEST CONDITIONS	TPS2201Y			UNIT
			MIN	TYP	MAX	
$t_r$ Output rise time		$V_{O(xVCC)}$	1.2			ms
		$V_{O(xVPP)}$	5			
$t_f$ Output fall time		$V_{O(xVCC)}$	10			ms
		$V_{O(xVPP)}$	14			
$t_{pd}$ Propagation delay (see Figure 1‡)	$V_{I(x\_VPP\_PGM)}$ to $V_{O(xVPP)}$	$t_{on}$	5.8			ms
		$t_{off}$	18			
	$V_{I(x\_VCC3)}$ to $xVCC$	$t_{on}$	5.8			ms
		$t_{off}$	28			
	$V_{I(x\_VCC5)}$ to $xVCC$	$t_{on}$	4			ms
		$t_{off}$	30			

† Refer to Parameter Measurement Information

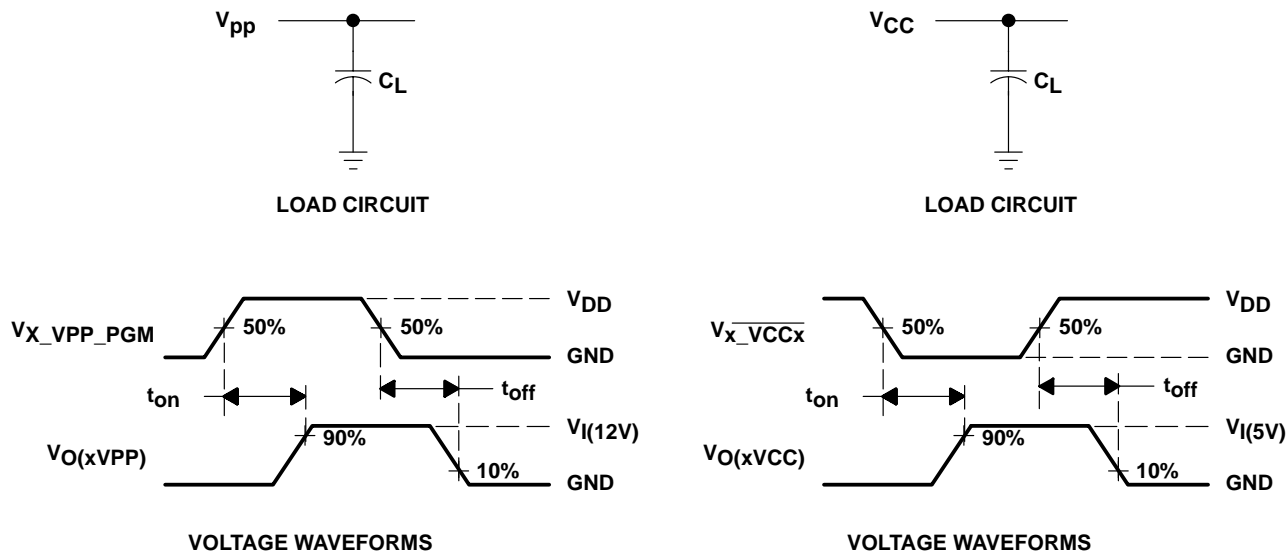
‡ Rise and fall times are with  $C_L = 100\ \mu\text{F}$ .



TPS2201  
**DUAL-SLOT PC CARD POWER-INTERFACE SWITCHES  
 FOR PARALLEL PCMCIA CONTROLLERS**

SLVS094C – AUGUST 1994 – REVISED JANUARY 2001

**PARAMETER MEASUREMENT INFORMATION**



**Figure 1. Test Circuits and Voltage Waveforms**

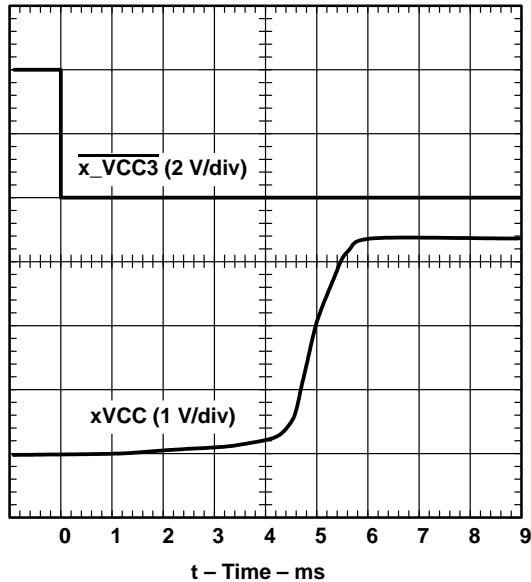
**Table of Timing Diagrams**

	FIGURE
xVCC Propagation Delay and Rise Times With 1- $\mu$ F Load, 3-V Switch	2
xVCC Propagation Delay and Fall Times With 1- $\mu$ F Load, 3-V Switch	3
xVCC Propagation Delay and Rise Times With 100- $\mu$ F Load, 3-V Switch	4
xVCC Propagation Delay and Fall Times With 100- $\mu$ F Load, 3-V Switch	5
xVCC Propagation Delay and Rise Times With 1- $\mu$ F Load, 5-V Switch	6
xVCC Propagation Delay and Fall Times With 1- $\mu$ F Load, 5-V Switch	7
xVCC Propagation Delay and Rise Times With 100- $\mu$ F Load, 5-V Switch	8
xVCC Propagation Delay and Fall Times With 100- $\mu$ F Load, 5-V Switch	9
xVPP Propagation Delay and Rise Times With 1- $\mu$ F Load, 12-V Switch	10
xVPP Propagation Delay and Fall Times With 1- $\mu$ F Load, 12-V Switch	11
xVPP Propagation Delay and Rise Times With 100- $\mu$ F Load, 12-V Switch	12
xVPP Propagation Delay and Fall Times With 100- $\mu$ F Load, 12-V Switch	13

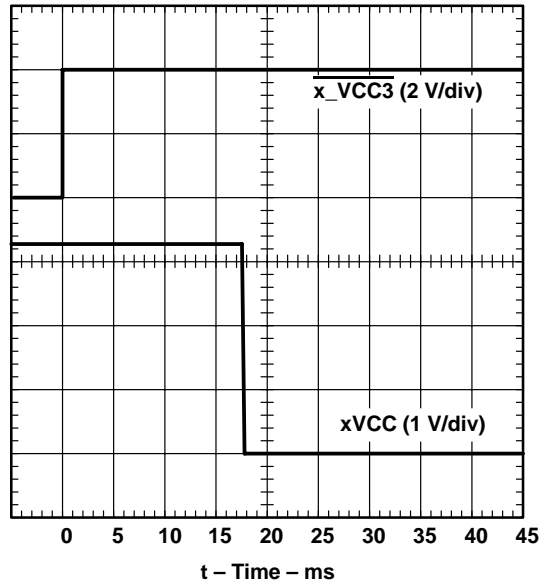
**TPS2201**  
**DUAL-SLOT PC CARD POWER-INTERFACE SWITCHES**  
**FOR PARALLEL PCMCIA CONTROLLERS**

SLVS094C – AUGUST 1994 – REVISED JANUARY 2001

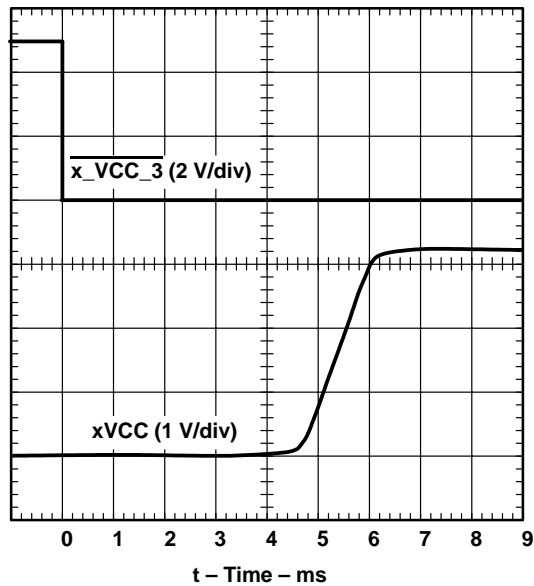
**PARAMETER MEASUREMENT INFORMATION**



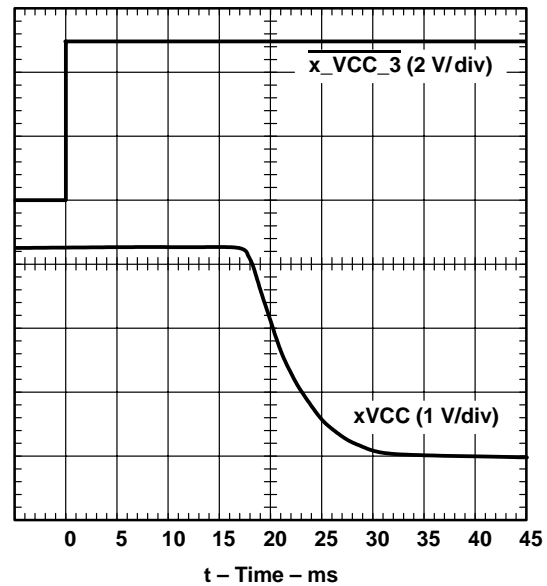
**Figure 2. xVCC Propagation Delay and Rise Times With 1- $\mu$ F Load, 3-V Switch**



**Figure 3. xVCC Propagation Delay and Fall Times With 1- $\mu$ F Load, 3-V Switch**



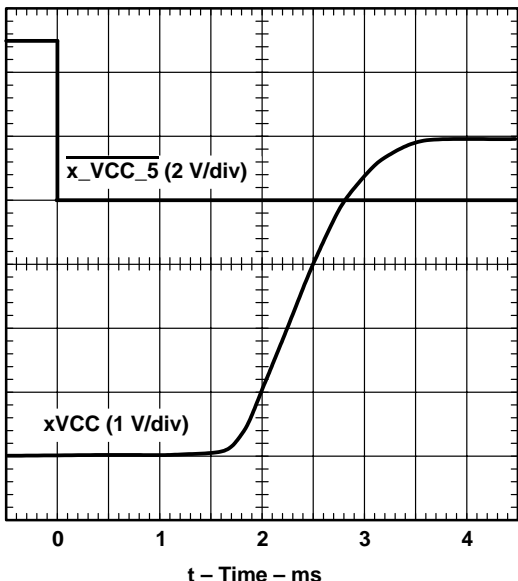
**Figure 4. xVCC Propagation Delay and Rise Times With 100- $\mu$ F Load, 3-V Switch**



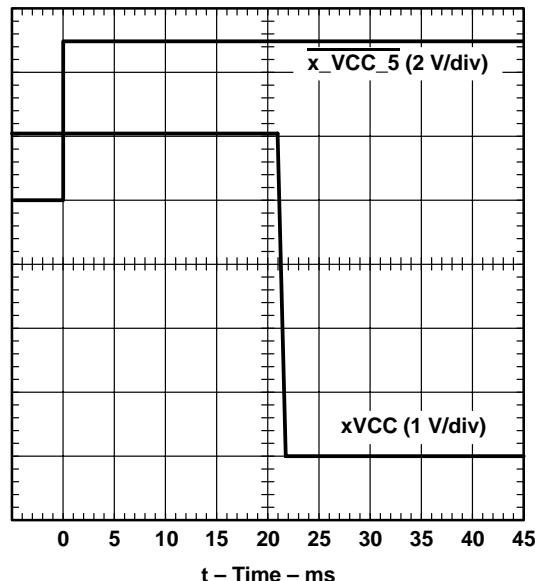
**Figure 5. xVCC Propagation Delay and Fall Times With 100- $\mu$ F Load, 3-V Switch**



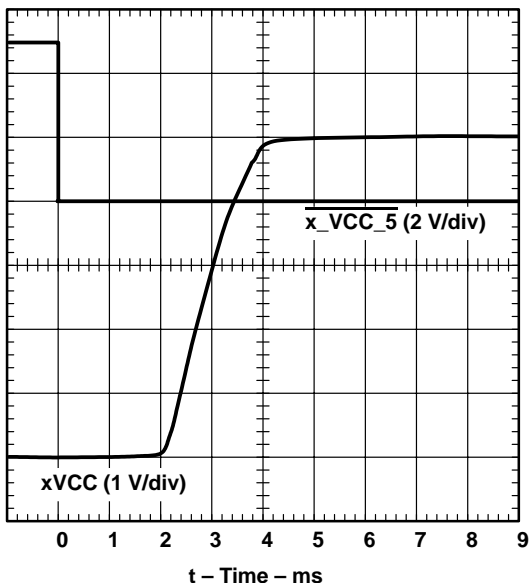
**PARAMETER MEASUREMENT INFORMATION**



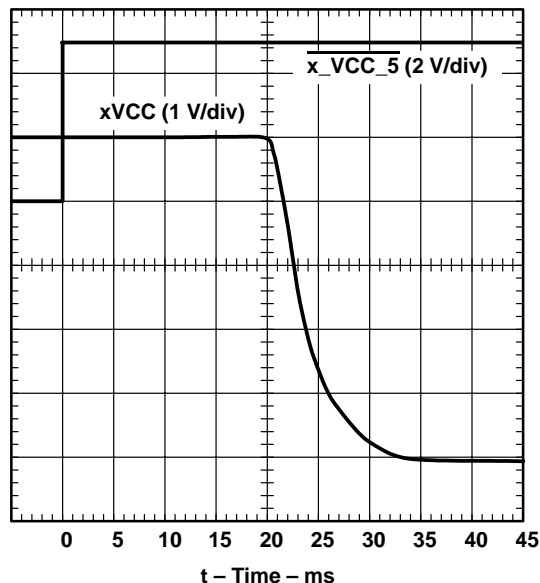
**Figure 6. xVCC Propagation Delay and Rise Times With 1- $\mu$ F Load, 5-V Switch**



**Figure 7. xVCC Propagation Delay and Fall Times With 1- $\mu$ F Load, 5-V Switch**

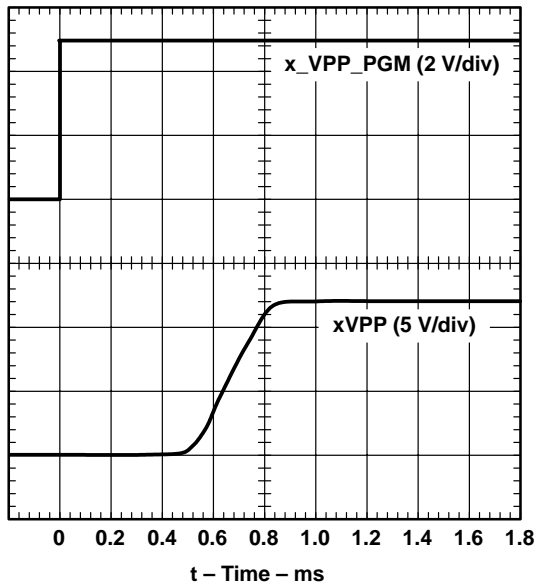


**Figure 8. xVCC Propagation Delay and Rise Times With 100- $\mu$ F Load, 5-V Switch**

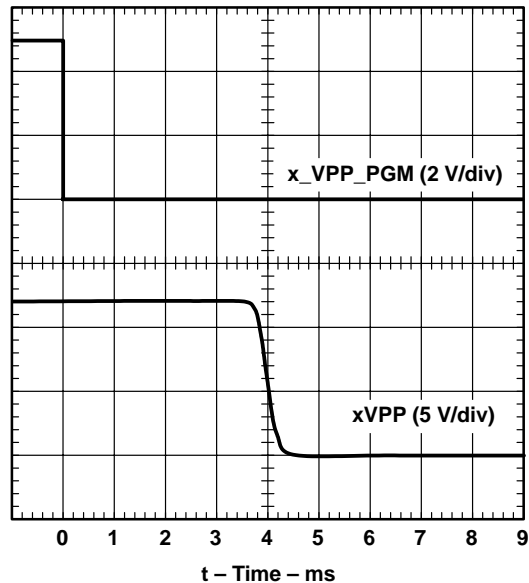


**Figure 9. xVCC Propagation Delay and Fall Times With 100- $\mu$ F Load, 5-V Switch**

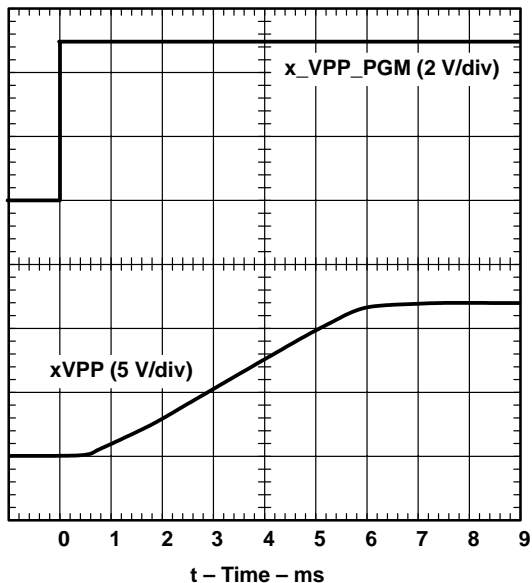
**PARAMETER MEASUREMENT INFORMATION**



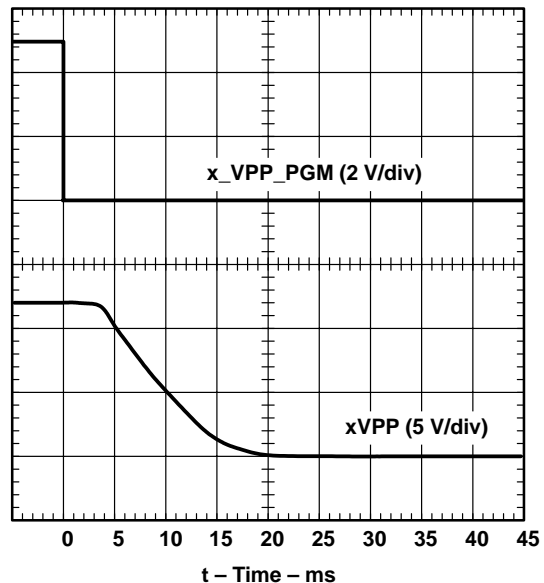
**Figure 10. xVPP Propagation Delay and Rise Times With 1- $\mu$ F Load, 12-V Switch**



**Figure 11. xVPP Propagation Delay and Fall Times With 1- $\mu$ F Load, 12-V Switch**



**Figure 12. xVPP Propagation Delay and Rise Times With 100- $\mu$ F Load, 12-V Switch**



**Figure 13. xVPP Propagation Delay and Fall Times With 100- $\mu$ F Load, 12-V Switch**

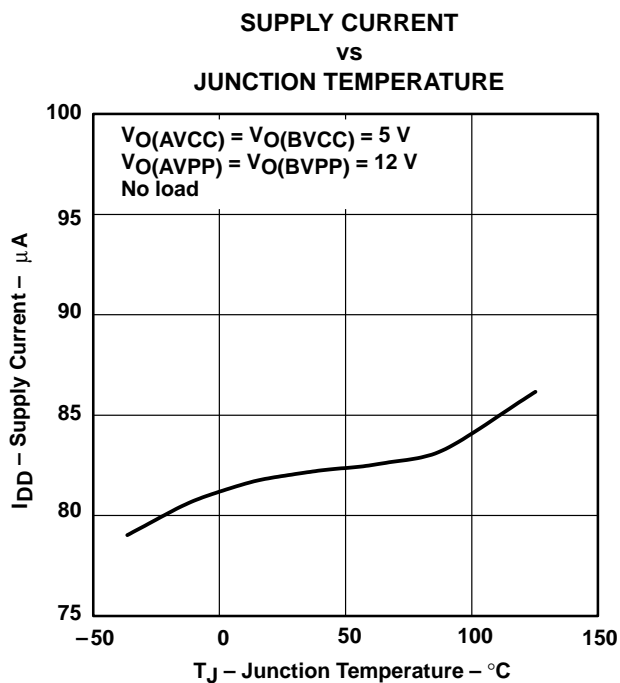
TPS2201  
**DUAL-SLOT PC CARD POWER-INTERFACE SWITCHES  
 FOR PARALLEL PCMCIA CONTROLLERS**

SLVS094C – AUGUST 1994 – REVISED JANUARY 2001

**TYPICAL CHARACTERISTICS†**

**Table of Graphs**

			FIGURE
$I_{DD}$	Supply current	vs Junction temperature	14
$r_{DS(on)}$	Static drain-source on-state resistance, 3-V switch	vs Junction temperature	15
$r_{DS(on)}$	Static drain-source on-state resistance, 5-V switch	vs Junction temperature	16
$r_{DS(on)}$	Static drain-source on-state resistance, 12-V switch	vs Junction temperature	17
$V_O(xVCC)$	Output voltage, 5-V switch	vs Output current	18
$V_O(xVCC)$	Output voltage, 3-V switch	vs Output current	19
$xV_{PP}$	Output voltage, $V_{pp}$ switch	vs Output current	20
$I_{SC}(xVCC)$	Short-circuit current, 5-V switch	vs Junction temperature	21
$I_{SC}(xV_{PP})$	Short-circuit current, 12-V switch	vs Junction temperature	22



**Figure 14**

† t = pulse tested

# TPS2201 DUAL-SLOT PC CARD POWER-INTERFACE SWITCHES FOR PARALLEL PCMCIA CONTROLLERS

SLVS094C – AUGUST 1994 – REVISED JANUARY 2001

## TYPICAL CHARACTERISTICS†

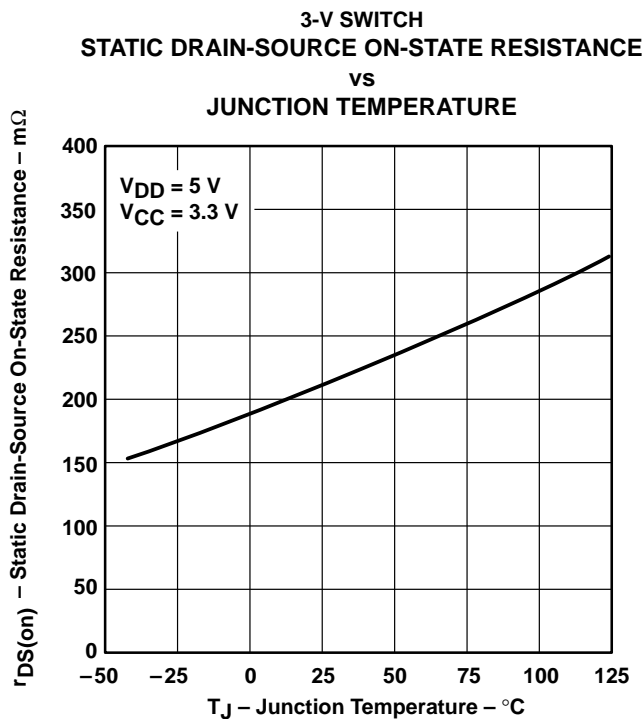


Figure 15

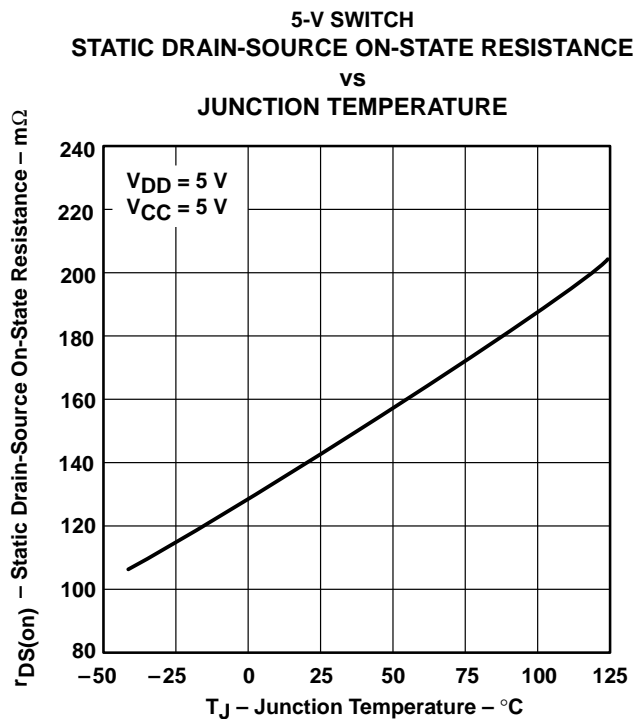


Figure 16

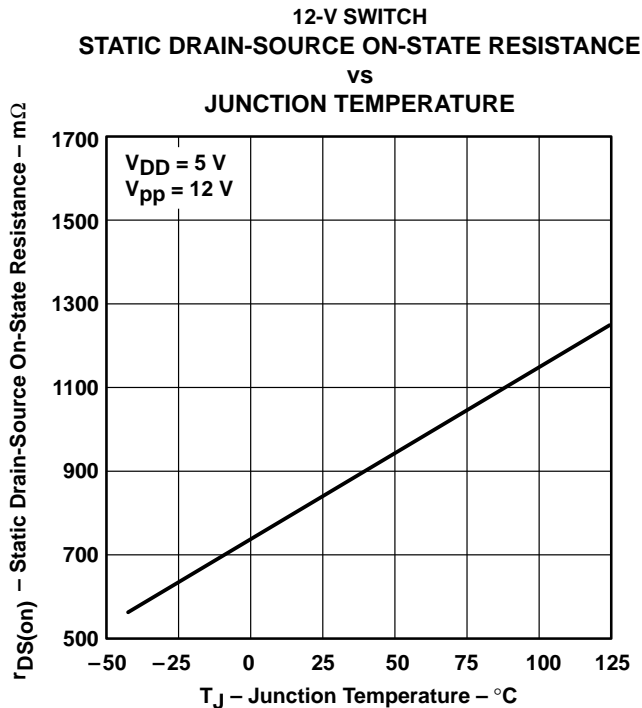


Figure 17

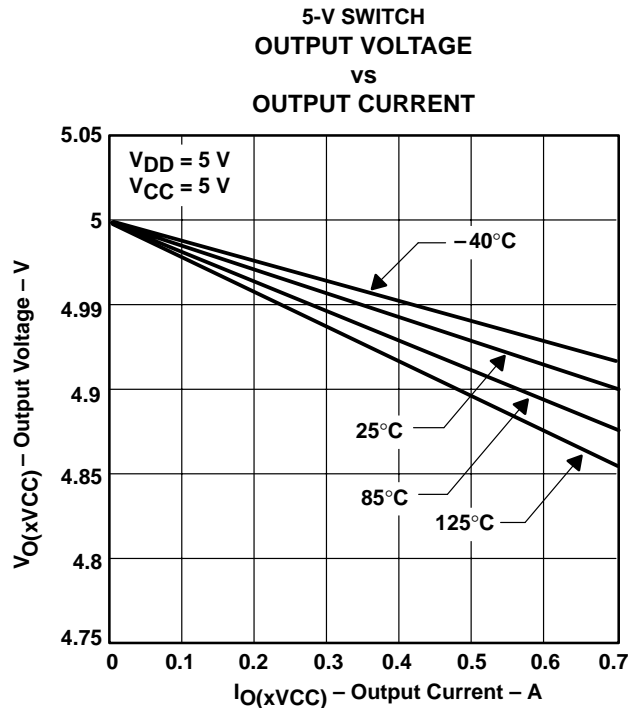


Figure 18

† t = pulse tested



**TYPICAL CHARACTERISTICS†**

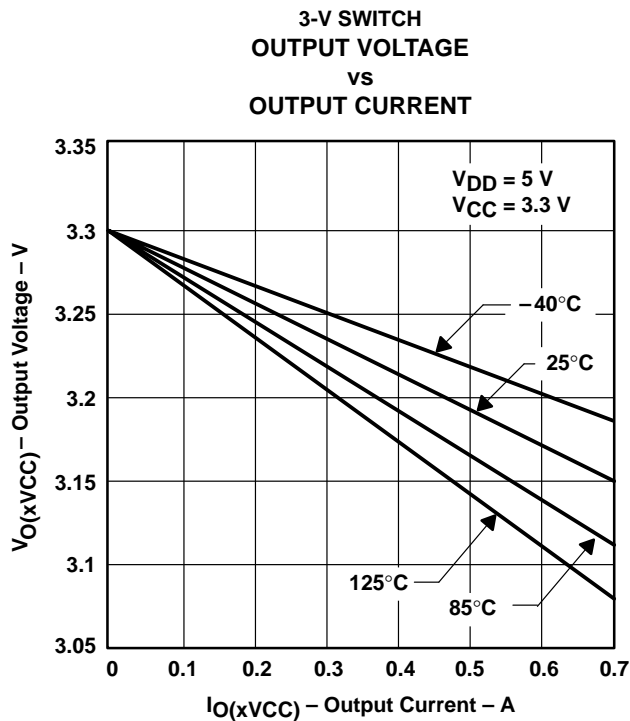


Figure 19

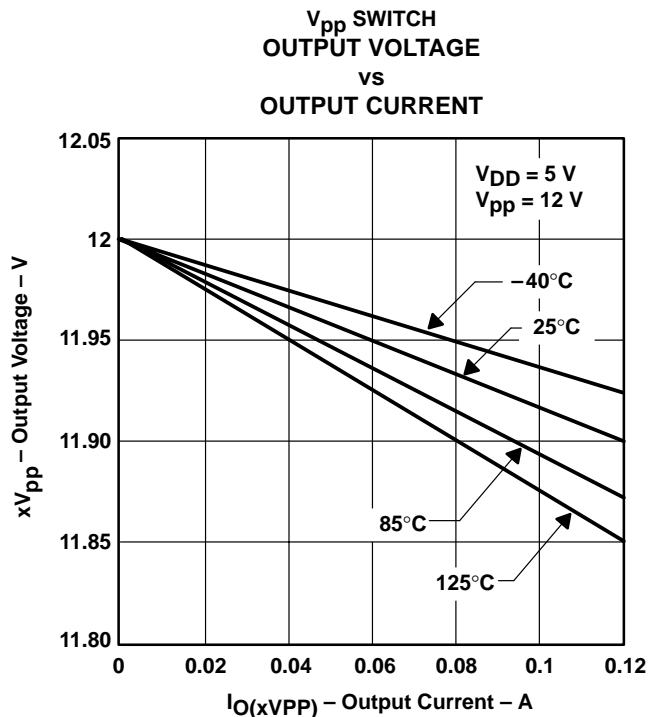


Figure 20

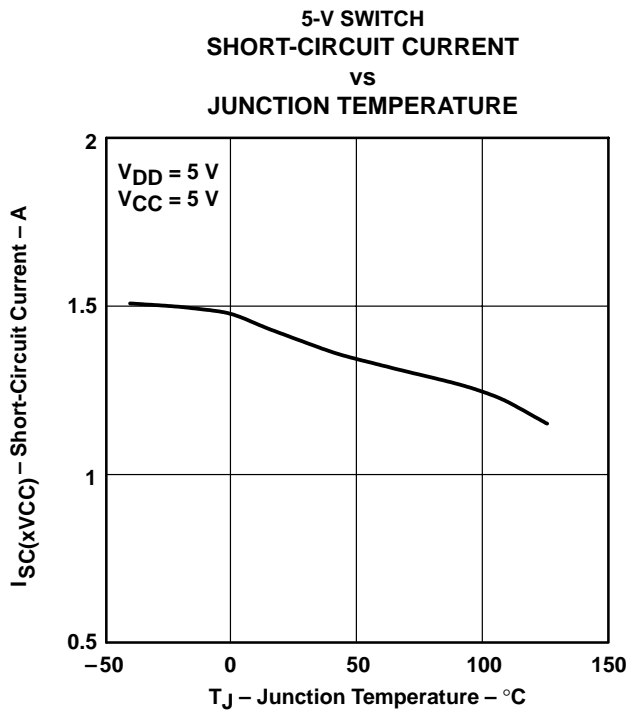


Figure 21

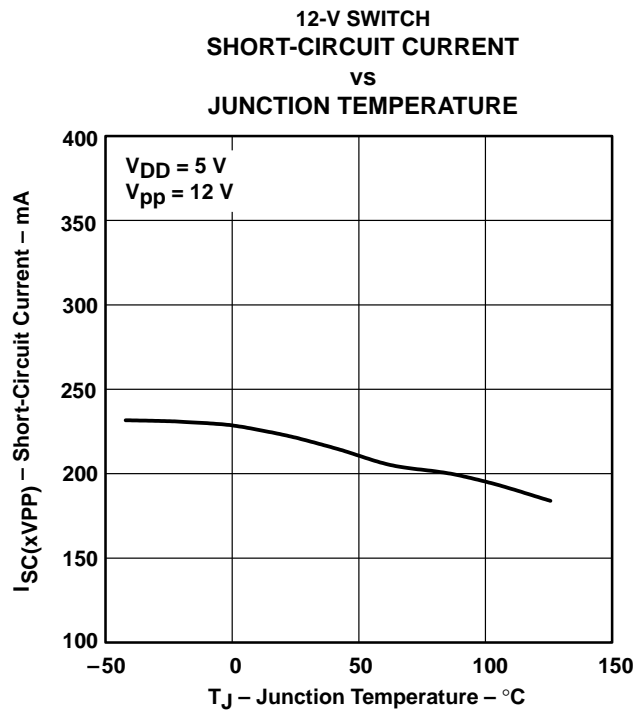


Figure 22

† t = pulse tested

# TPS2201 DUAL-SLOT PC CARD POWER-INTERFACE SWITCHES FOR PARALLEL PCMCIA CONTROLLERS

SLVS094C – AUGUST 1994 – REVISED JANUARY 2001

---

## APPLICATION INFORMATION

### overview

PC Cards were initially introduced as a means to add EEPROM (flash memory) to portable computers with limited on-board memory. The idea of add-in cards quickly took hold: modems, wireless LANs, GPS systems, multimedia, and hard-disk versions were soon available. As the number of PC Card applications grew, the engineering community quickly recognized the need for a standard to ensure compatibility across platforms. To this end, the PCMCIA (Personal Computer Memory Card International Association) was established and was comprised of members from leading computer, software, PC card, and semiconductor manufacturers. One key goal was to realize the concept of plug-and-play, cards and hosts from different vendors should be compatible and able to communicate with one another transparently.

### PC Card power specification

System compatibility also means power compatibility. The most current set of specifications (PC Card Standard) set forth by the PCMCIA committee states that power is to be transferred between the host and the card through eight of the PC Card connector's 68 pins. This power interface consists of two  $V_{CC}$ , two  $V_{pp}$ , and four ground pins. Multiple  $V_{CC}$  and ground pins are used to minimize connector-pin and line resistance. The two  $V_{pp}$  pins were originally specified as separate signals but are commonly tied together in the host to form a single node to minimize voltage losses. Card primary power is supplied through the  $V_{CC}$  pins; flash-memory programming and erase voltage is supplied through the  $V_{pp}$  pins. As each pin is rated to 0.5 A,  $V_{CC}$  and  $V_{pp}$  can theoretically supply up to 1 A, assuming equal pin resistance and no pin failure. A conservative design would limit current to 500 mA. Some applications, however, require higher  $V_{CC}$  currents; disk drives, for example, may need as much as 750-mA peak current to create the initial torque necessary to spin up the platter.  $V_{pp}$  currents, on the other hand, are defined by flash-memory programming requirements, typically under 120 mA.

### future power trends

The 1-A physical-pin current alluded to in the PC Card specification has caused some host-system engineers to believe they are required to deliver 1 A within the voltage tolerance of the card. Future applications, such as RF cards, could use the extra power for their radio transmitters. The 5 W required for these cards will require very robust power supplies and special cooling considerations. The limited number of host sockets that will be able to support them makes the market for these high-powered PC Cards uncertain. The vast majority of the cards require less than 600 mA continuous current and the trend is towards even lower-powered PC Cards that will assure compatibility with a greater number of host systems. Recognizing the need for power derating, an adhoc committee of the PCMCIA is currently working to limit the amount of steady-state dc current to the PC Card to something less than the currently implied 1 A. If a system is designed to support 1 A, then the switch  $r_{DS(on)}$ , power supply requirements, and PC Card cooling need to be carefully considered.

### designing around 1-A delivery

Delivering 1 A means minimizing voltage (and power) losses across the PC Card power interface, which requires that designers trade off switch resistance and the cost associated with large-die (low  $r_{DS(on)}$ ) MOSFET transistors. The PC Card standard requires that 5 V  $\pm 5\%$ , or 3.3 V  $\pm 0.3$  V be supplied to the card. The approximate 10% tolerance for the 3.3-V supply makes the 3.3-V  $r_{DS(on)}$  less critical than the 5-V switch. A conservative approach is to allow 2% for voltage-regulator tolerance and 1% for etch- and terminal-resistance drops, which leaves 2% (100 mV) voltage drop for the 5-V switch, and at least 6% (198 mV) for the 3.3-V switch.



POST OFFICE BOX 655303 • DALLAS, TEXAS 75265

## APPLICATION INFORMATION

### designing around 1-A delivery (continued)

Calculating the  $r_{DS(on)}$  necessary to support a 100 mV or 198 mV switch loss, using  $R = E/I$  and setting  $I = 1$  A, the 5-V and 3.3-V switches would need to be 100 m $\Omega$  and 198 m $\Omega$  respectively. One solution would be to pay for a more expensive switch with lower  $r_{DS(on)}$ . A second, less expensive approach is to increase the headroom of the power supply—for example, to increase the 5-V supply 1.5% or to  $5.075 \pm 2\%$ . Working through the numbers once more, the 2% for the regulator plus 1% for etch and terminal losses leaves 97% or 4.923 V. The allowable voltage loss across the power distribution switch is now 4.923 V minus 4.750 V or 173 mV. Therefore, a switch with 173 m $\Omega$  or less could deliver 1 A or greater. Setting the power supply high is a common practice for delivering voltages to allow for system switch, connector, and etch losses and has a minimal effect on overall battery life. In the example above, setting the power supply 1.5% high would only decrease a 3-hour battery life by approximately 2.7 minutes, trivial when compared with the decrease in battery life when running a 5-W PC Card.

### heat dissipation

A greater concern in delivering 1 A or 5 W is the ability of the host to dissipate the heat generated by the PC Card. For desktop computers the solution is simpler: locate the PC Card cage such that it receives convection cooling from the forced air of the fan. Notebooks and other handheld equipment will not be able to rely on convection, but must rely on conduction of heat away from the PC Card through the rails into the card cage. This is difficult because PC Card/card cage heat transfer is very poor. A typical design scenario would require the PC Card to be held at 60°C maximum with the host platform operating as high as 50°C. Preliminary testing reveals that a PC Card can have a 20°C rise, exceeding the 10°C differential in the example, when dissipating less than 2 W of continuous power. The 60°C temperature was chosen because it is the maximum operating temperature allowable by PC Card specification. Power handling requirements and temperature rises are topics of concern and are currently being addressed by the PCMCIA committee.

### overcurrent and overtemperature protection

PC Cards are inherently subject to damage that can result from mishandling. Host systems require protection against short-circuited cards that could lead to power supply or PCB-trace damage. Even systems sufficiently robust to withstand a short circuit would still undergo rapid battery discharge into the damaged PC Card, resulting in the rather sudden and unacceptable loss of system power. This can be particularly frustrating to the consumer who has already experienced problems with shortened battery life due to improper Nicad conditioning or memory effect. Most hosts include fuses for protection. The reliability of fused systems is poor, though, as blown fuses require troubleshooting and repair, usually by the manufacturer. The TPS2201 takes a two-pronged approach to overcurrent protection. First, instead of fuses, sense FETs monitor each of the power outputs. Excessive current generates an error signal that linearly limits the output current, preventing host damage or failure. Sense FETs, unlike sense resistors or polyfuses, have the added advantage that they do not add to the series resistance of the switch and thus produce no additional voltage losses. Second, when an overcurrent condition is detected, the TPS2201 asserts a signal at  $\overline{OC}$  that can be monitored by the microprocessor to initiate diagnostics and/or send the user a warning message. In the event that an overcurrent condition persists, causing the IC to exceed its maximum junction temperature, thermal-protection circuitry engages, shutting down all power outputs until the device cools to within a safe operating region.

### 12-V supply not required

Most PC Card switches use the externally supplied 12-V  $V_{pp}$  power for switch-gate drive and other chip functions, requiring that it be present at all times. The TPS2201 offers considerable power savings by using an internal charge pump to generate the required higher voltages from the 5-V  $V_{DD}$  supply; therefore, the external 12-V supply can be disabled except when needed for flash-memory functions, thereby extending battery lifetime. Additional power savings are realized by the TPS2201 during a software shutdown, in which quiescent current drops to a maximum of 1  $\mu$ A.

# TPS2201

## DUAL-SLOT PC CARD POWER-INTERFACE SWITCHES FOR PARALLEL PCMCIA CONTROLLERS

SLVS094C – AUGUST 1994 – REVISED JANUARY 2001

---

### APPLICATION INFORMATION

#### voltage transitioning requirement

PC Cards, like portables, are migrating from 5 V to 3.3 V to minimize power consumption, optimize board space, and increase logic speeds. The TPS2201 is designed to meet all combinations of power delivery as currently defined in the PCMCIA standard. The latest protocol accommodates mixed 3.3-V/5-V systems by first powering the card with 5 V, then polling it to determine its 3.3-V compatibility. The PCMCIA specification requires that the capacitors on 3.3-V compatible cards be discharged to below 0.8 V before applying 3.3-V power. This ensures that sensitive 3.3-V circuitry is not subjected to any residual 5-V charge and functions as a power reset. The TPS2201 offers a selectable  $V_{CC}$  and  $V_{pp}$  ground state, per PCMCIA 3.3-V/5-V switching specifications, to fully discharge the card capacitors while switching between  $V_{CC}$  voltages.

#### output ground switches

Several PCMCIA power-distribution switches on the market do not have an active-grounding FET switch. These devices do not meet the PC Card specification requiring a discharge of  $V_{CC}$  within 100 ms. PC Card resistance can not be relied on to provide a discharge path for voltages stored on PC Card capacitance because of possible high-impedance isolation by power-management schemes. A method commonly shown to alleviate this problem is to add to the switch output an external 100-k $\Omega$  resistor in parallel with the PC Card. Considering that this is the only discharge path to ground, a timing analysis will reveal that the RC time constant delays the required discharge time to over 2 seconds. The only way to ensure timing compatibility with PC Card standards is to use a power-distribution switch that has an internal ground switch, like that of the TPS22xx family, or add an external ground FET to each of the output lines with the control logic necessary to select it.

In summary, the TPS2201 is a complete single-chip dual-slot PC Card power interface. It meets all currently defined PCMCIA specifications for power delivery in 5-V, 3.3-V, and mixed systems, and offers a serial controller interface. The TPS2201 offers functionality, power savings, overcurrent and thermal protection, and fault reporting in one 30-pin SSOP surface-mount package for maximum value added to new portable designs.

#### power-supply considerations

The TPS2201 has multiple terminals for each of its 3.3 V, 5 V, and 12 V power inputs and for the switched  $V_{CC}$  outputs. Any individual terminal can conduct the rated input or output current. Unless all terminals are connected in parallel, the series resistance is significantly higher than that specified, resulting in increased voltage drops and lost power. Both 12-V inputs must be connected for proper  $V_{pp}$  switching; it is recommended that all input and output power terminals be paralleled for optimum operation. The  $V_{DD}$  input lead must be connected to the 5-V input leads.

Although the TPS2201 is fairly immune to power input fluctuations and noise, it is generally considered good design practice to bypass power supplies typically with a 1- $\mu$ F electrolytic or tantalum capacitor paralleled by a 0.047- $\mu$ F to 0.1- $\mu$ F ceramic capacitor. It is strongly recommended that the switched  $V_{CC}$  and  $V_{pp}$  outputs be bypassed with a 0.1- $\mu$ F or larger capacitor; doing so improves the immunity of the TPS2201 to electrostatic discharge (ESD). Care should be taken to minimize the inductance of PCB traces between the TPS2201 and the load. High switching currents can produce large negative-voltage transients, which forward biases substrate diodes, resulting in unpredictable performance.

The TPS2201, unlike other PC Card power-interface switches, does not use the 12-V power supply for switching or other chip functions. Instead, an internal charge pump generates the necessary voltage from  $V_{DD}$ , allowing the 12-V input supply to be shut down except when the  $V_{pp}$  programming or erase voltage is needed. Careful system design, making use of this feature, reduces power consumption and extends battery lifetime.

The 3.3-V power input should not be taken higher than the 5-V input. Doing so, though nondestructive, results in high current flow into the device, and could result in abnormal operation. In any case, this occurrence indicates a malfunction of one input voltage or both, which should be investigated.

Similarly, no terminal should be taken below  $-0.3$  V; forward biasing the parasitic-substrate diode results in substrate currents and unpredictable performance.



POST OFFICE BOX 655303 • DALLAS, TEXAS 75265



## APPLICATION INFORMATION

### overcurrent and thermal protection

The TPS2201 uses sense FETs to check for overcurrent conditions in each of the  $V_{CC}$  and  $V_{pp}$  outputs. Unlike sense resistors or polyfuses, these FETs do not add to the series resistance of the switch; therefore, voltage and power losses are reduced. Overcurrent sensing is applied to each output separately. When an overcurrent condition is detected, only the power output affected is limited; all other power outputs continue to function normally. The  $\overline{OC}$  indicator, normally a logic high, is a logic low when any overcurrent condition is detected, providing for initiation of system diagnostics and/or sending a warning message to the user.

During power up, the TPS2201 controls the rise time of the  $V_{CC}$  and  $V_{pp}$  outputs and limits the current into a faulty card or connector. If a short circuit is applied after power is established (e.g., hot insertion of a bad card), current is initially limited only by the impedance between the short and the power supply. In extreme cases, as much as 10 A to 15 A may flow into the short before the current limiting of the TPS2201 engages. If the  $V_{CC}$  or  $V_{pp}$  outputs are driven below ground, the TPS2201 may latch nondestructively in an off state. Cycling power will reestablish normal operation.

Overcurrent limiting for the  $V_{CC}$  outputs is designed to engage if powered up into a short in the range of 0.75 A to 1.9 A, typically at about 1.3 A; the  $V_{pp}$  outputs limit from 120 mA to 400 mA, typically around 200 mA. The protection circuitry acts by linearly limiting the current passing through the switch, rather than initiating a full shutdown of the supply. Shutdown occurs only during thermal limiting.

Thermal limiting prevents destruction of the IC from overheating when the package power-dissipation ratings are exceeded. Thermal limiting disables all power outputs (both A and B slots) until the device has cooled.

### calculating junction temperature

The switch resistance,  $r_{DS(on)}$ , is dependent on the junction temperature,  $T_J$ , of the die. The junction temperature is dependent on both  $r_{DS(on)}$  and the current through the switch. To calculate  $T_J$ , first find  $r_{DS(on)}$  from Figures 16, 17, and 18 using an initial temperature estimate about 50°C above ambient. Then calculate the power dissipation for each switch, using the formula:

$$P_D = r_{DS(on)} \cdot I^2$$

Next, sum the power dissipation and calculate the junction temperature:

$$T_J = \left( \sum P_D \cdot R_{\theta JA} \right) + T_A, \quad R_{\theta JA} = 108^\circ\text{C/W}$$

Compare the calculated junction temperature with the initial temperature estimate. If they are not within a few degrees of each other, reiterate using the calculated temperature as the initial estimate.

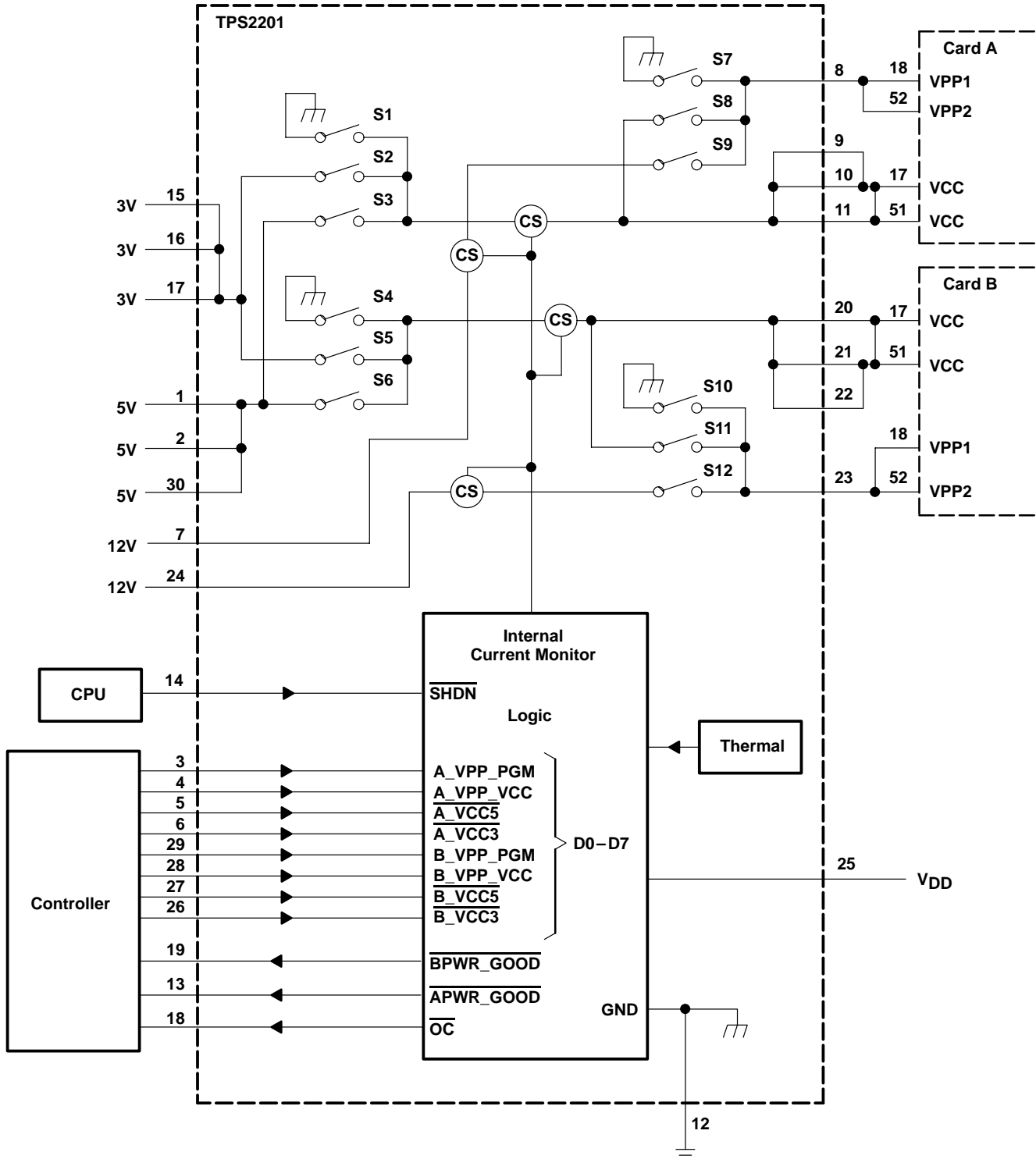
### logic input and outputs

The TPS2201 was designed to be compatible with most popular PCMCIA controllers and current PCMCIA and JEIDA standards. However, some controllers require slightly counterintuitive connections to achieve desired output states. The TPS2201 control logic inputs  $\overline{A\_VCC3}$ ,  $\overline{A\_VCC5}$ ,  $\overline{B\_VCC3}$  and  $\overline{B\_VCC5}$  are defined active low (see Figure 23 and control-logic table). As such, they are directly compatible with the logic outputs of the Cirrus Logic CL-PD6720 controller (see Figure 24). The separate  $V_{pp}$  power-good indicators of the TPS2201 can be ORed together to provide a single input to the Cirrus controller.

**TPS2201**  
**DUAL-SLOT PC CARD POWER-INTERFACE SWITCHES**  
**FOR PARALLEL PCMCIA CONTROLLERS**

SLVS094C – AUGUST 1994 – REVISED JANUARY 2001

**APPLICATION INFORMATION**



**Figure 23. Internal Switching Matrix**

**TPS2201**  
**DUAL-SLOT PC CARD POWER-INTERFACE SWITCHES**  
**FOR PARALLEL PCMCIA CONTROLLERS**

SLVS094C – AUGUST 1994 – REVISED JANUARY 2001

**APPLICATION INFORMATION**

**TPS2201 control logic**

**AVPP**

CONTROL SIGNALS			INTERNAL SWITCH SETTINGS			OUTPUT
$\overline{\text{SHDN}}$	A_VPP_PGM	A_VPP_VCC	S7	S8	S9	VAVPP
1	0	0	CLOSED	OPEN	OPEN	0 V
1	0	1	OPEN	CLOSED	OPEN	VCC†
1	1	0	OPEN	OPEN	CLOSED	VPP(12 V)
1	1	1	OPEN	OPEN	OPEN	Hi-Z
0	X	X	OPEN	OPEN	OPEN	Hi-Z

**BVPP**

CONTROL SIGNALS			INTERNAL SWITCH SETTINGS			OUTPUT
$\overline{\text{SHDN}}$	B_VPP_PGM	B_VPP_VCC	S10	S11	S12	VBVPP
1	0	0	CLOSED	OPEN	OPEN	0 V
1	0	1	OPEN	CLOSED	OPEN	VCC‡
1	1	0	OPEN	OPEN	CLOSED	VPP(12 V)
1	1	1	OPEN	OPEN	OPEN	Hi-Z
0	X	X	OPEN	OPEN	OPEN	Hi-Z

**AVCC**

CONTROL SIGNALS			INTERNAL SWITCH SETTINGS			OUTPUT
$\overline{\text{SHDN}}$	$\overline{\text{A\_VCC3}}$	$\overline{\text{A\_VCC5}}$	S1	S2	S3	VAVCC
1	0	0	CLOSED	OPEN	OPEN	0 V
1	0	1	OPEN	CLOSED	OPEN	3 V
1	1	0	OPEN	OPEN	CLOSED	5 V
1	1	1	CLOSED	OPEN	OPEN	0 V
0	X	X	OPEN	OPEN	OPEN	Hi-Z

**BVCC**

CONTROL SIGNALS			INTERNAL SWITCH SETTINGS			OUTPUT
$\overline{\text{SHDN}}$	$\overline{\text{B\_VCC3}}$	$\overline{\text{B\_VCC5}}$	S4	S5	S6	VBVCC
1	0	0	CLOSED	OPEN	OPEN	0 V
1	0	1	OPEN	CLOSED	OPEN	3 V
1	1	0	OPEN	OPEN	CLOSED	5 V
1	1	1	CLOSED	OPEN	OPEN	0 V
0	X	X	OPEN	OPEN	OPEN	Hi-Z

† Output depends on AVCC

‡ Output depends on BVCC



# TPS2201 DUAL-SLOT PC CARD POWER-INTERFACE SWITCHES FOR PARALLEL PCMCIA CONTROLLERS

SLVS094C – AUGUST 1994 – REVISED JANUARY 2001

## APPLICATION INFORMATION

### Logic input and outputs (continued)

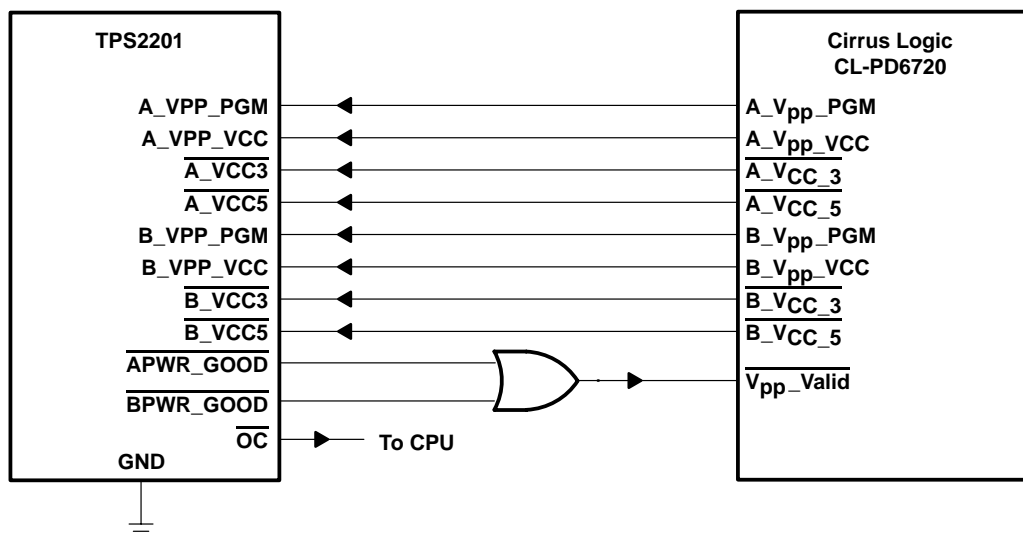


Figure 24. Logic Connections to CL-PD6720

Intel's 82365SLDF controller uses active-high control logic for  $V_{CC}$  selection, which requires connecting the 3-V control outputs (A\_VCC\_EN0, B\_VCCEN0) of the 82365SLDF to the 5-V control inputs (A\_VCC5, B\_VCC5) of the TPS2201 and the 5-V control outputs (AVCC\_EN1, B\_VCC\_EN1) to the 3-V control inputs (A\_VCC3, B\_VCC3), as illustrated in Figure 25. Examination of the control logic tables on page 16 will confirm that these connections will in fact select the correct output voltage. An alternative approach would be to invert the Intel  $V_{CC}$  control logic signals before routing them to the TPS2201.

The separate  $V_{pp}$  power-good indicators of the TPS2201 can be connected directly to the Intel controller as shown in Figure 25.

Cirrus Logic defines a (1, 1) on the  $V_{CC}$  select lines to be the PC Card no connect state; Intel chose (0, 0) to select this state. As the tables show, either combination switches the  $V_{CC}$  outputs to 0 V. The decision to provide 0 V versus a high impedance for the no connect state eliminates potential charging at the switch-to-card interface. Feedback from the PC Card design community favors this approach.

$V_{pp}$  logic allows for 0-V or high-impedance output for no connect (0, 0) or reserved (1, 1) logic inputs, respectively (refer to AVPP and BVPP control-logic tables on page 16). Both the Cirrus Logic and Intel controllers interface directly with the  $V_{pp}$  control inputs of the TPS2201.

The shutdown input of the TPS2201,  $\overline{SHDN}$ , when held at a logic low places all  $V_{CC}$  and  $V_{pp}$  outputs in a high-impedance state and reduces chip quiescent current to 1  $\mu$ A to conserve battery power.

An overcurrent output ( $\overline{OC}$ ) is provided to indicate an overcurrent condition in any of the  $V_{CC}$  or  $V_{pp}$  supplies (see discussion above).

### ESD protection

All TPS2201 inputs and outputs incorporate ESD-protection circuitry designed to withstand a 2-kV human-body-model discharge as defined in MIL-STD-883C. The  $V_{CC}$  and  $V_{pp}$  outputs can be exposed to potentially higher discharges from the external environment through the PC card connector. Bypassing the outputs with 0.1- $\mu$ F capacitors protects the devices from discharges up to 10 kV.

# TPS2201 DUAL-SLOT PC CARD POWER-INTERFACE SWITCHES FOR PARALLEL PCMCIA CONTROLLERS

SLVS094C – AUGUST 1994 – REVISED JANUARY 2001

## APPLICATION INFORMATION

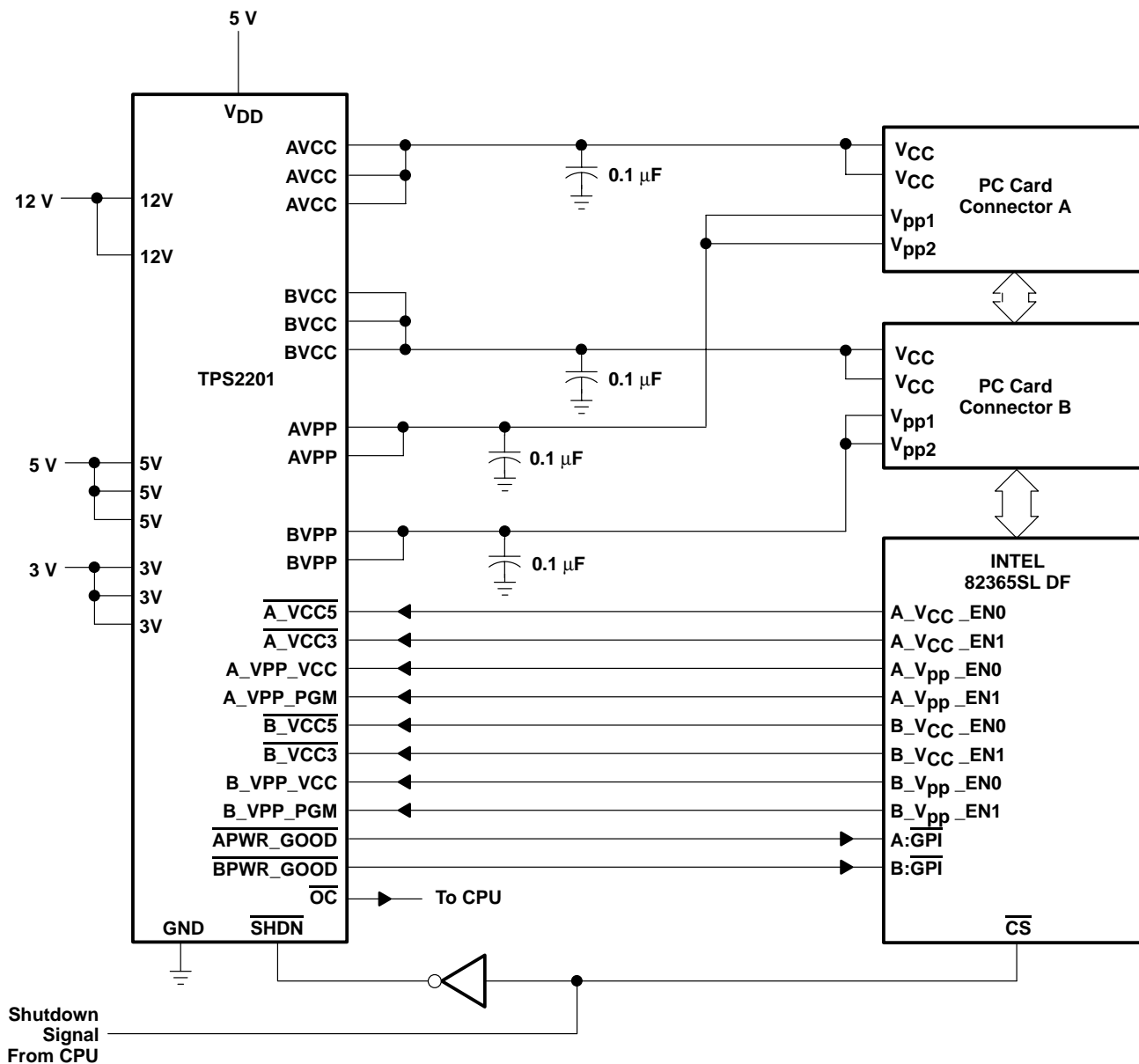


Figure 25. Detailed Operating Circuits Using Intel 82365SLDF Controller

## IMPORTANT NOTICE

Texas Instruments and its subsidiaries (TI) reserve the right to make changes to their products or to discontinue any product or service without notice, and advise customers to obtain the latest version of relevant information to verify, before placing orders, that information being relied on is current and complete. All products are sold subject to the terms and conditions of sale supplied at the time of order acknowledgment, including those pertaining to warranty, patent infringement, and limitation of liability.

TI warrants performance of its products to the specifications applicable at the time of sale in accordance with TI's standard warranty. Testing and other quality control techniques are utilized to the extent TI deems necessary to support this warranty. Specific testing of all parameters of each device is not necessarily performed, except those mandated by government requirements.

Customers are responsible for their applications using TI components.

In order to minimize risks associated with the customer's applications, adequate design and operating safeguards must be provided by the customer to minimize inherent or procedural hazards.

TI assumes no liability for applications assistance or customer product design. TI does not warrant or represent that any license, either express or implied, is granted under any patent right, copyright, mask work right, or other intellectual property right of TI covering or relating to any combination, machine, or process in which such products or services might be or are used. TI's publication of information regarding any third party's products or services does not constitute TI's approval, license, warranty or endorsement thereof.

Reproduction of information in TI data books or data sheets is permissible only if reproduction is without alteration and is accompanied by all associated warranties, conditions, limitations and notices. Representation or reproduction of this information with alteration voids all warranties provided for an associated TI product or service, is an unfair and deceptive business practice, and TI is not responsible nor liable for any such use.

Resale of TI's products or services with statements different from or beyond the parameters stated by TI for that product or service voids all express and any implied warranties for the associated TI product or service, is an unfair and deceptive business practice, and TI is not responsible nor liable for any such use.

Also see: [Standard Terms and Conditions of Sale for Semiconductor Products](http://www.ti.com/sc/docs/stdterms.htm). [www.ti.com/sc/docs/stdterms.htm](http://www.ti.com/sc/docs/stdterms.htm)

### Mailing Address:

Texas Instruments  
Post Office Box 655303  
Dallas, Texas 75265