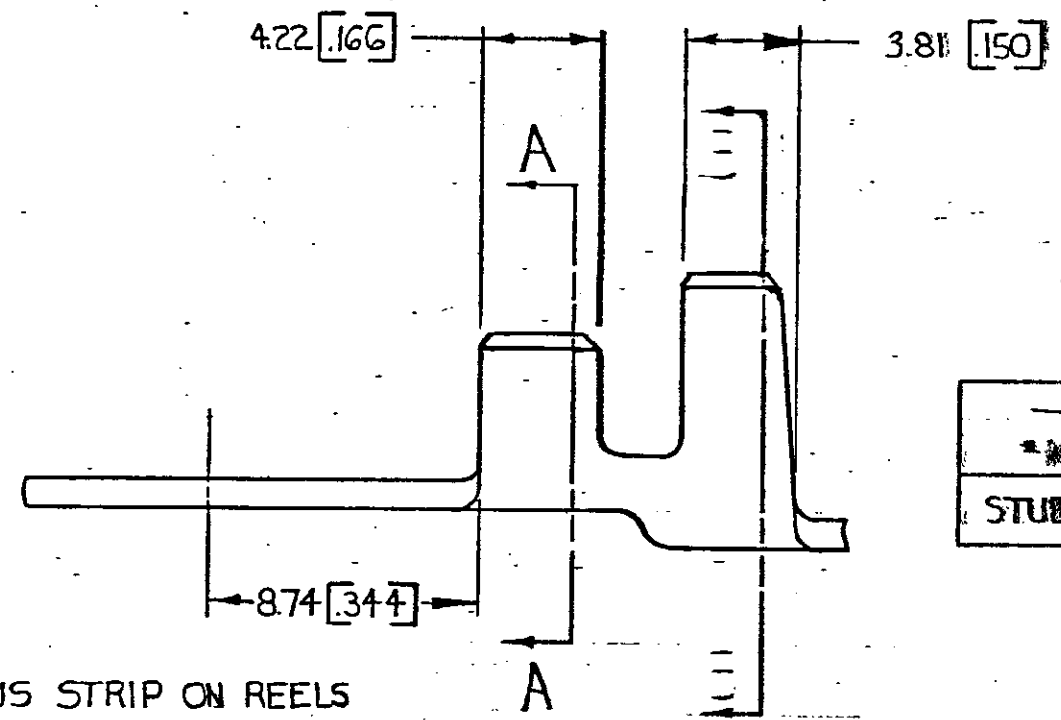
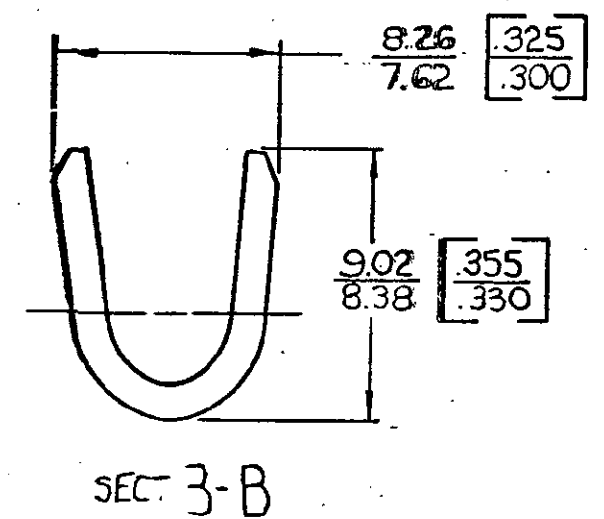
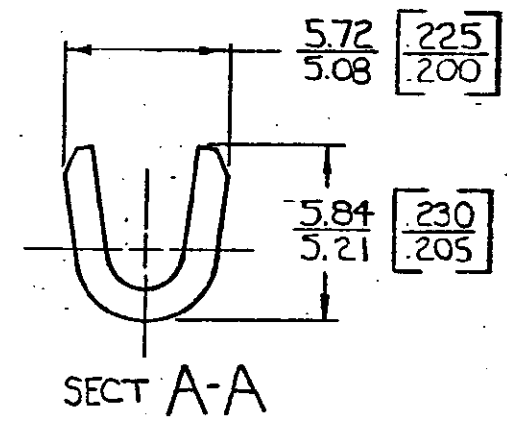
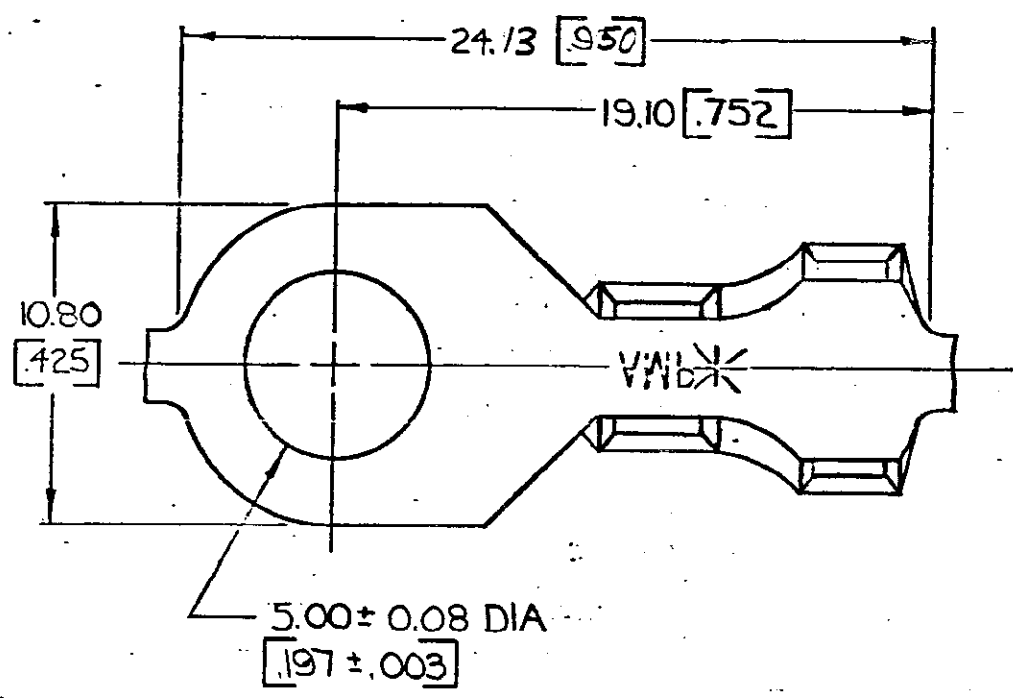


© COPYRIGHT 1968 BY AMP INCORPORATED, HARRISBURG, PA.  
 ALL INTERNATIONAL RIGHTS RESERVED. AMP INCORPORATED PRODUCTS  
 COVERED BY U. S. AND FOREIGN PATENTS AND/OR PATENTS PENDING.

REVISIONS					
P	ZONE	LTR	DESCRIPTION	DATE	APPROVED
✓		A	REDRAWN & REVISED A-3943	4-26-78	DG
✓		B	REV PER AF-3047	7/2/92	PMF 64
		C	REV PER D711-137-96	19/June/96	PMF 64



1. CONTINUOUS STRIP ON REELS  
 2. DIMENSIONS IN BRACKETS ARE IN INCHES

**METRIC**

STUD SIZE	WIRE RANGE	INSULATION RANGE	FINISH	MATERIALS	PART NO
#10	2.0 - 3.0 mm <sup>2</sup> [4 - 12]	4.32 - 5.33 [170 - 210]	TIN	1.02 BRASS [.040]	42639-1
UNLESS OTHERWISE SPECIFIED DIMENSIONS ARE IN INCHES. TOLERANCES ON DECIMALS ± 0.03 [0.15] ANGLES ± 1°		CONTRACT NO		AMP INCORPORATED Harrisburg, Pa.	
MATERIAL		DR <i>Donald J. Good 4/21/79</i>		NAME	
SEE TABLE		CHK <i>Wayne J. Davis 7-25-78</i>		RING	
FINISH		APPD <i>R.P. Frantz 8-3-78</i>		DRAWING NO	
SEE TABLE		APPD <i>E. J. Gibe 8-15-78</i>		42639	
		DSGN APPD		SIZE	SHEET
		OTHER APPD		B	00779
				SCALE	