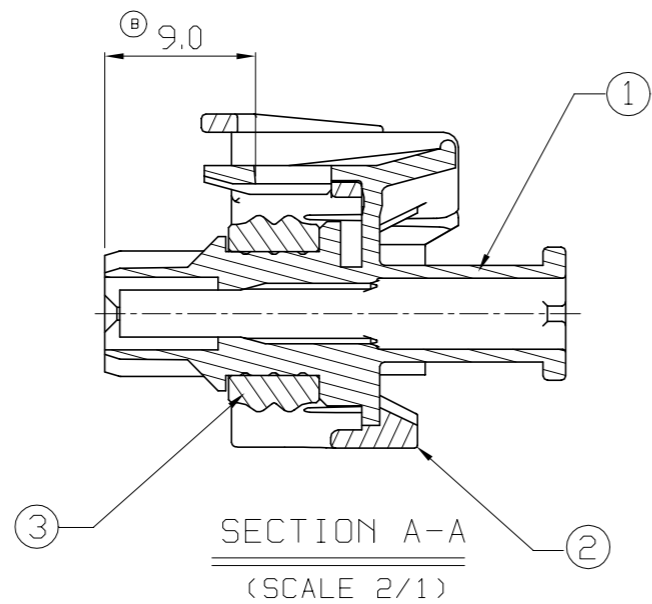
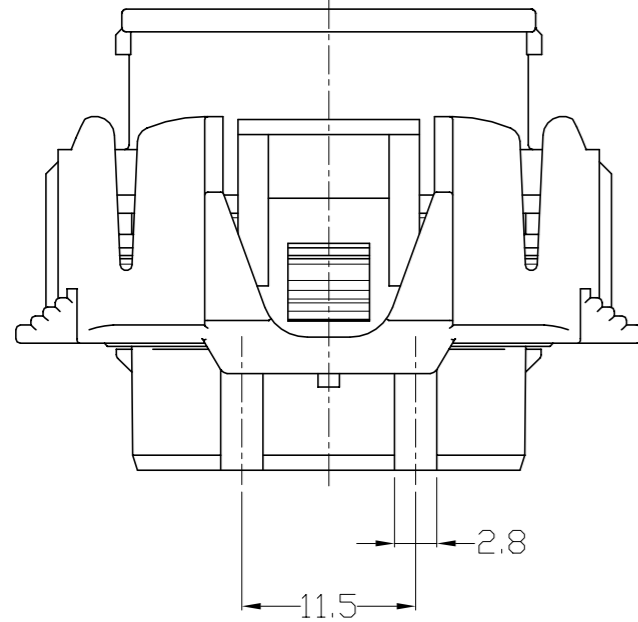
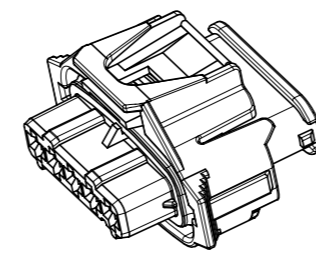


P	LTR	DESCRIPTION	DATE	DWN	APVD
B1		REVISED (ECR-16-005533)	15.MAY.'16	JM	JW
C		REVISED (ECR-20-013140)	0.JAN.'21	YH	YJ



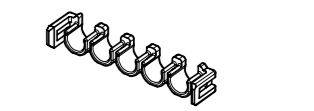
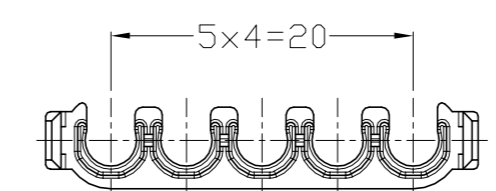
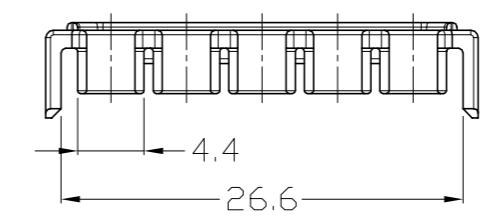
ASSEMBLY



3D VIEW (SCALE 1/1)

ACCESSORIES DRAWING

①. DBL HSG : P/N:936110  
SCALE : 2/1

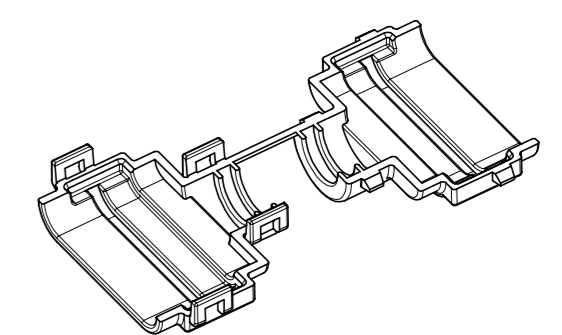


3D VIEW(SCALE 1:1)

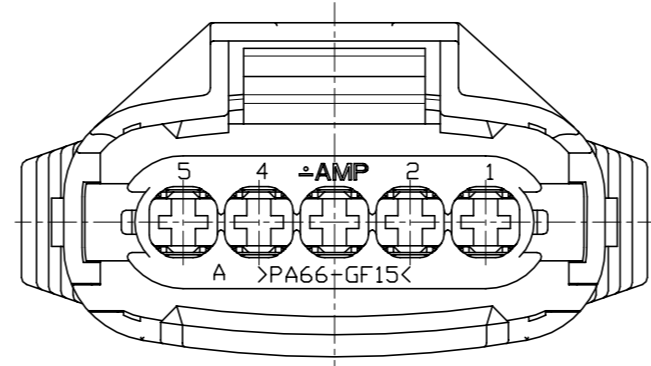
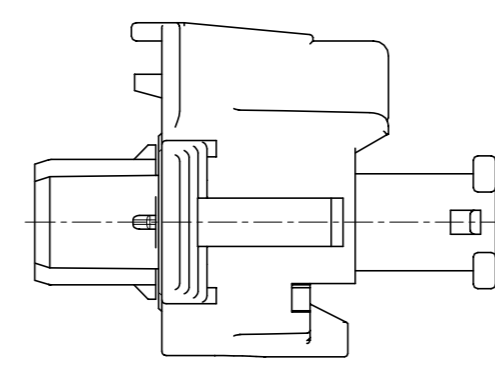
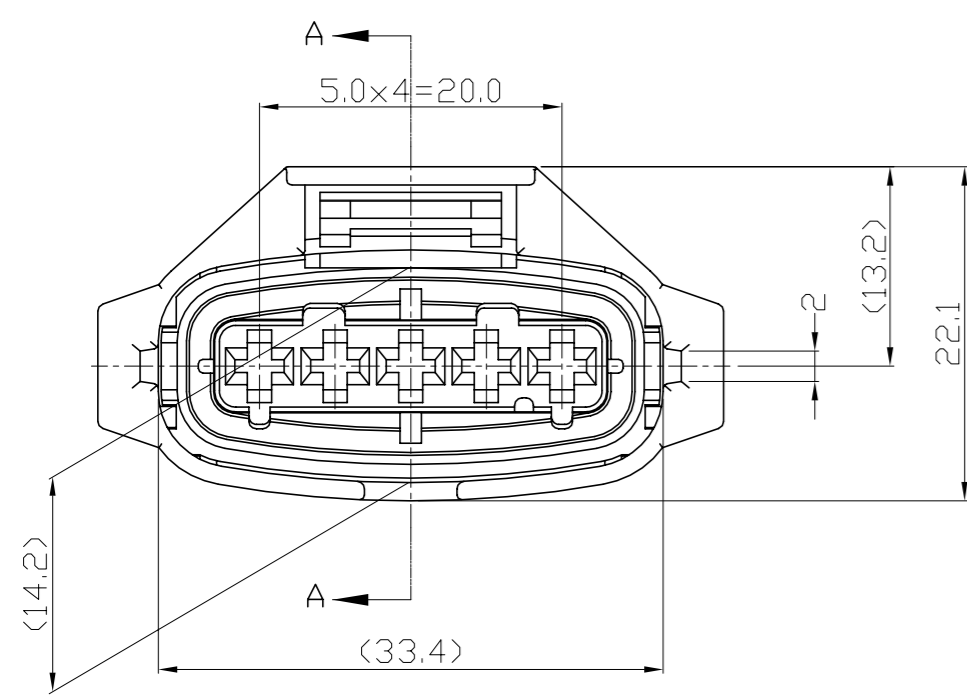
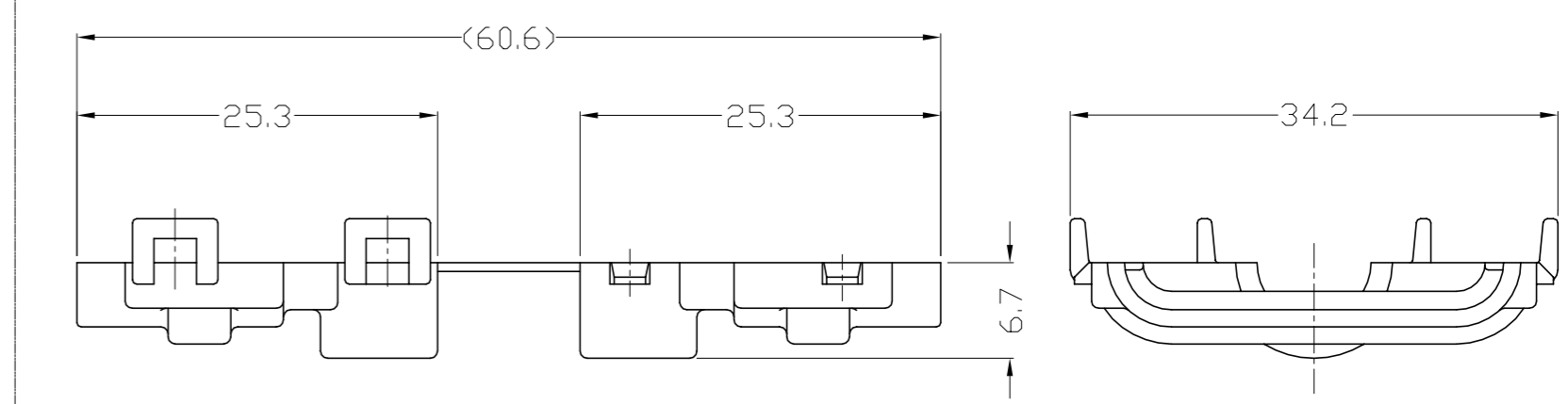
NOTE ;  
①) MATERIAL : PBT

②. COVER HSG : P/N:936113  
SCALE : 2/1

NOTE ;  
①) MATERIAL : NYLON 66  
②) CORRUGATOR DIAMETER : Ø7.0



3D VIEW(SCALE 1:1)

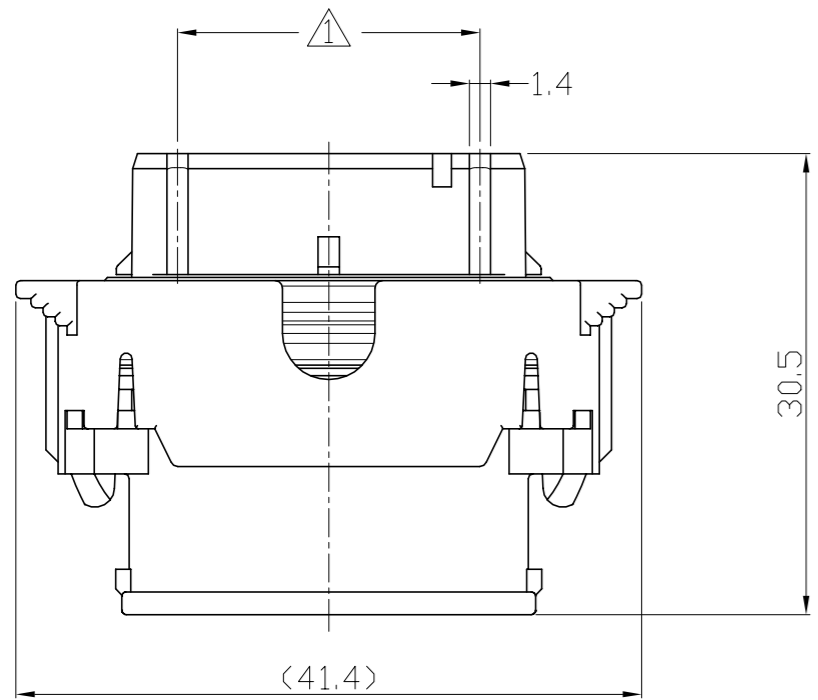


4. APPLIED RECEPTACLE CONTACT P/N:

DESCRIPTION	2.8mm SENSOR-FLAT RECEPTACLE	
Part NO.	967542	967543
WIRE SIZE(mm²)	0.5 ~ 1.0	1.25 ~ 2.5

5. APPLIED WIRE SEAL P/N:

DESCRIPTION	SINGLE-WIRE SEAL(5mm Hole)	
Part NO.	828904	828905
INSULATION DIA.(Ø)	1.2 ~ 2.1mm	2.2 ~ 3.0mm



(TABLE 1)

CODE I : 936062-X	CODE II : TBD
CODE III : TBD	CODE IV : TBD

NOTE ;  
 ① CODING IS AS FOLLOWS; SEE TABLE 1.  
 2. 0.15 MAX. WARPAGE AND 0.2 MAX. FLASH ARE PERMISSIBLE  
 3. SURFACE DEFECTS ARE NOT ACCEPTABLE AS FOLLOW: SINK, WELD LINES, HAIRCRACKS, STAINS & SCORES

ASSEMBLY P/N	Q'TY	P/N	DESCRIPTION	MATERIAL	COLOR	NO			
1	1	1	1	1	① 936802-1	INNER SEAL	SILICON	RED BROWN	3
1					② 936109-3	PROTECTOR HSG	PA 66 GF15	GRAY	2
1	1	1	1		936109-1	PROTECTOR HSG	PA 66 GF15	BLACK	2
1					TBD	PLUG HSG	PA 66 GF15	BLACK	1
	1				TBD	PLUG HSG	PA 66 GF15	BLACK	1
		1			TBD	PLUG HSG	PA 66 GF15	BLACK	1
1			1		936108-1	PLUG HSG	PA 66 GF15	BLACK	1

THIS DRAWING IS A CONTROLLED DOCUMENT FOR AMP INCORPORATED. IT IS SUBJECT TO CHANGE AND THE CONTROLLING ENGINEERING.		DWN JM JEON		TE connectivity	
DIMENSIONS: mm		CHK JM JEON			
3rd ANGLE PROJECTION		APVD JW JUNG		NAME	
MATERIAL SEE TABLE		PRODUCT SPEC		2.8mm SEALED 5P PLUG ASSEMBLY	
		APPLICATION SPEC		SIZE	
		114-18144		CAGE CODE	
		WEIGHT		DRAWING NO	
		A2		00779	
		CUSTOMER DRAWING		SCALE 2/1	
				SHEET 1 OF 1	
				REV C	