

DO NOT SCALE PRINT

Honeywell

GTN GEARTOOTH SENSOR

CATALOGUE LISTING
SEE ORDER GUIDE

ITEM	DESCRIPTION	MATERIAL
1	HOUSING	PA 6.6 GF 25
2	BUSH	CuZn39Pb2
3	HOUSING	STAINLESS STEEL
4	CONNECTOR PINS	CuZn TINNED 5um
5	'O' RING	ACM 70+/-5 SHORE A
6	BLANKING PLUG	PE-LD

GTN SERIES CHART

REPLACES

DRAWING NUMBER

ISSUE

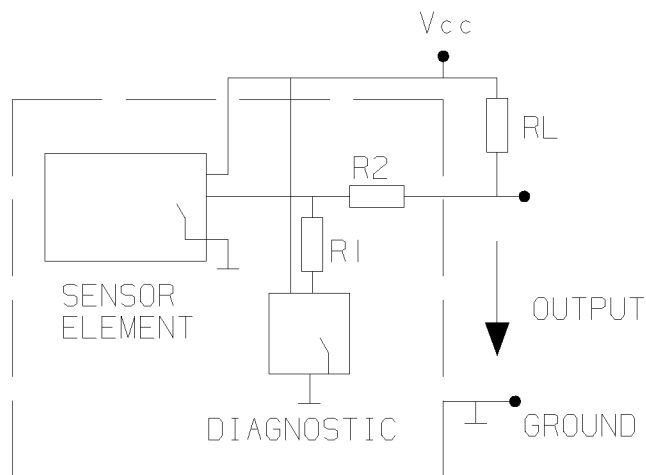
RELEASE No.

REVISIONS

3/2000

J. BEGLEY.

DRAWN
CHECK
DESIGN
AUTHOR 'N



SCHEMATIC DIAGRAM

RESISTOR R1 : 16.9k(12V)/16.5k(24V)
RESISTOR R2 : 1k(12V)/1.5k(24V)

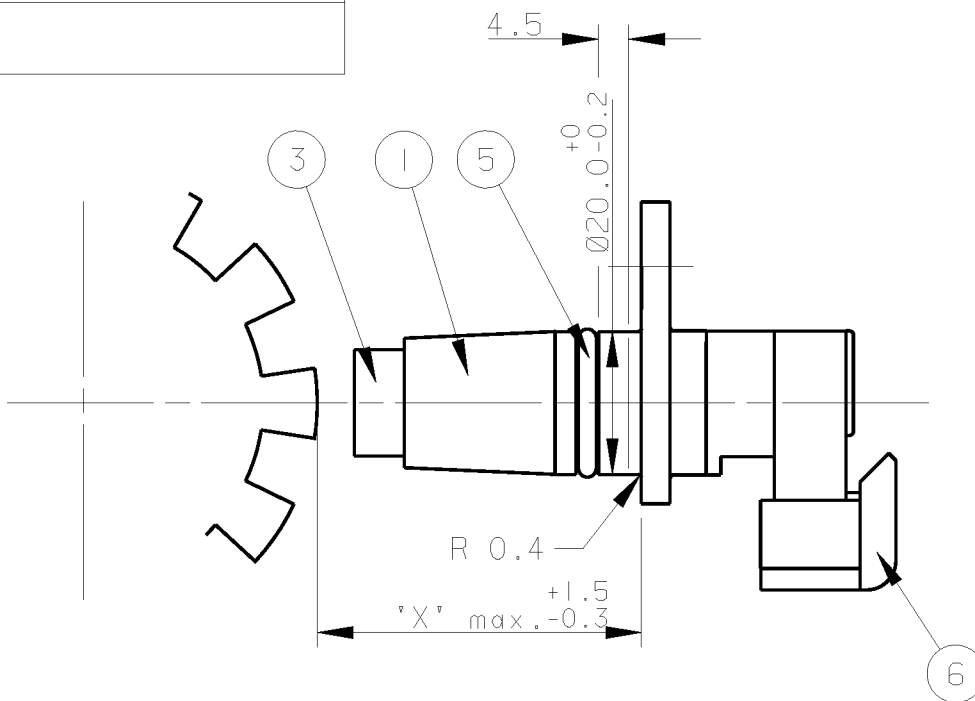
NOTES:-

1. TECHNICAL SPECIFICATION :- ES 24395
2. MOUNTING HOLE DIMENSION $\varnothing 20$ H9
0.8um SURFACE FINISH
RECOMMENDED LEAD IN CHAMFER
 $20^\circ \pm 3^\circ$, 3mm^{+0.5}₋₀ LONG
RECOMMENDED TORQUE ON MOUNTING BUSH
25Nm⁺⁵₋₀
3. ADDITIONAL CABLE PROTECTION
AVAILABLE USING CONDUIT
AND CONNECTOR INTERFACE
eg. HARNESSFLEX C108-AS3

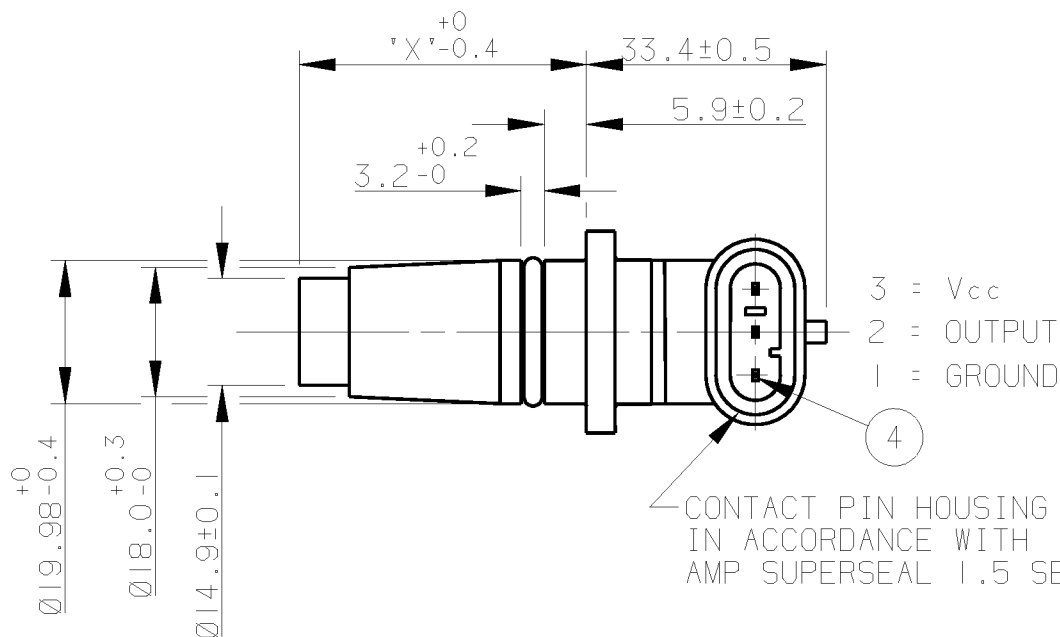
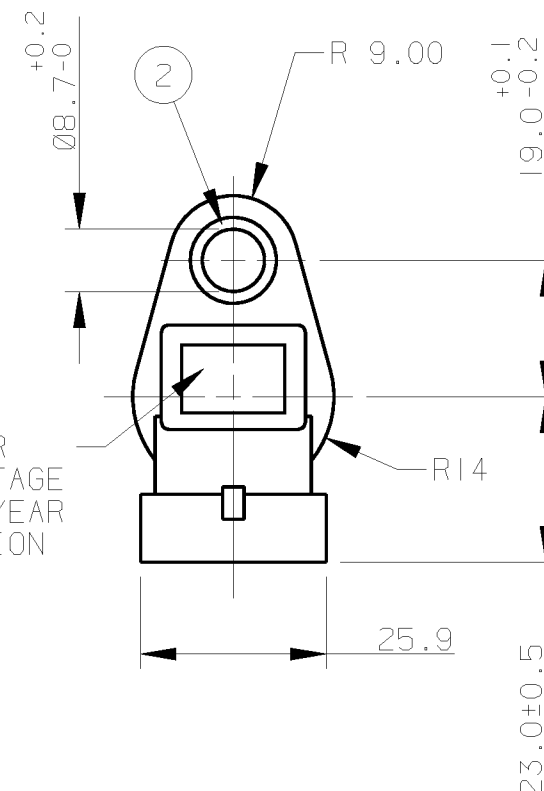
ORDER GUIDE	DIMENSION 'X'	CONNECTOR POSITION	SUPPLY VOLTAGE
GTNIA111	40	POSITION 1	12V Vcc
GTNIA112	53	POSITION 1	12V Vcc
GTNIA113	77.5	POSITION 1	12V Vcc
GTNIA114	83.5	POSITION 1	12V Vcc
GTNIA115	95	POSITION 1	12V Vcc
GTNIA116	100	POSITION 1	12V Vcc
GTNIA117	125	POSITION 1	12V Vcc
GTNIA211	40	POSITION 1	24V Vcc
GTNIA131	40	POSITION 3	12V Vcc

TOLERANCES
UNLESS OTHERWISE STATED

ANGULAR \pm



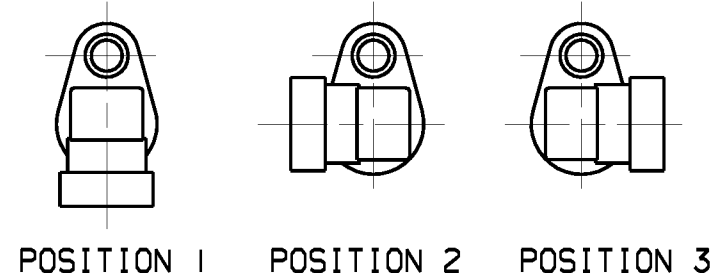
HONEYWELL
PART NUMBER
SUPPLY VOLTAGE
MONTH AND YEAR
OF PRODUCTION
MM, YY



3 = Vcc
2 = OUTPUT
1 = GROUND

CONTACT PIN HOUSING
IN ACCORDANCE WITH
AMP SUPERSEAL 1.5 SERIES 282105

VARIABLE CONNECTOR POSITION RELATIVE TO THE FLANGE



THE COPYRIGHT OF THIS DRAWING IS THE PROPERTY OF HONEYWELL LTD.
THE DRAWING IS SUPPLIED IN CONFIDENCE AND MUST NOT BE USED FOR
ANY PURPOSE OTHER THAN THAT FOR WHICH IT IS SUPPLIED.

THIRD ANGLE
PROJECTION



SCALE
N.T.S.

DIMENSIONS ARE IN
MILLIMETRES

MODIFY ON CAD
SYSTEM ONLY