



General Specifications

Motor Protection:

Auto Restart/Polarity Protection

Insulation Resistance: 10M Ω or over with a DC500V Megger

Dielectric Withstand Voltage: AC 700V 1s

Allowable Ambient Temperature Range:

B60 Class: -10°C ~ +60°C (Operating)

B30~B50 Class: -10°C ~ +70°C (Operating)

All Class: -40°C ~ +70°C (Storage)
(non-condensing environment)

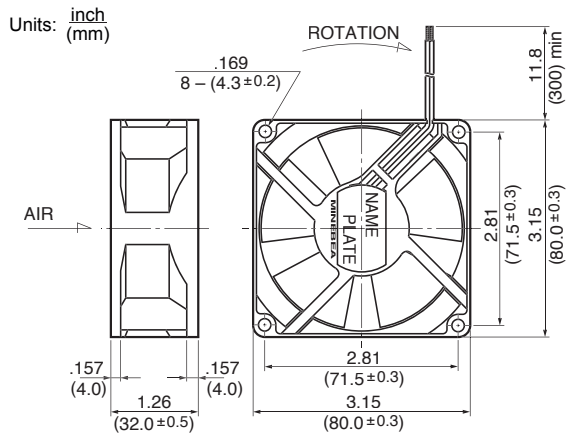
Expected Life

Failure Rate: 10%

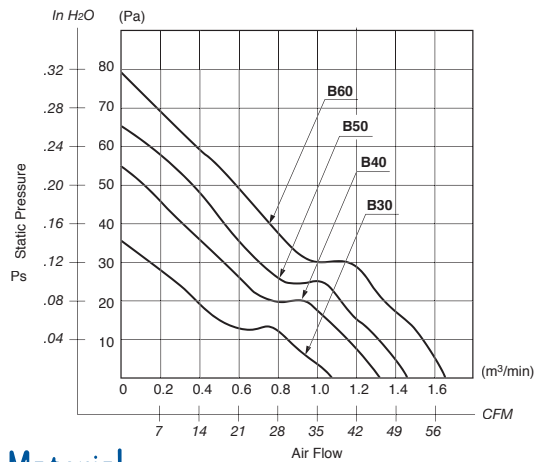
25°C 100,000 Hours (E00)

25°C 80,000 Hours (V00)

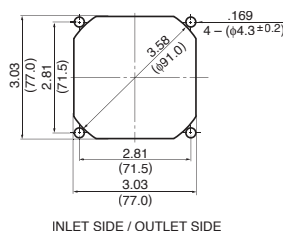
Outline



Characteristic Curves



Panel Cut-outs



Material

- Casing : Plastic (Black) 94V-0
- Impeller : Plastic (Black) 94V-0
- Bearing : Ball Bearing
- Lead Wire: UL1007, AWG24, +Red, -Black

Specifications

MODEL	Product No.	Rated Voltage	Operating Voltage	Current	Input Power	Speed	Max. Air Flow		Max. Static Pressure		Noise	Mass
		(V)	(V)	(A)*1	(W)*1	(min ⁻¹)*1	CFM*1	(m ³ /min)*1	in H ₂ O	(Pa)*1	(dB)*1	(g)
3112KL-04W-B30-	X00	12	6.0 ~ 13.8	0.17	2.04	2850	38.1	1.08	.14	35.2	32.0	95
3112KL-04W-B40-	X00	12	6.0 ~ 13.8	0.25	3.00	3350	46.9	1.33	.22	54.5	37.0	95
3112KL-04W-B50-	X00	12	6.0 ~ 12.6	0.35	4.20	3850	51.5	1.46	.26	65.1	41.0	95
3112KL-04W-B60-	X00	12	6.0 ~ 12.6	0.45	5.40	4350	58.6	1.66	.32	78.9	44.0	95
3112KL-05W-B30-	X00	24	10.0 ~ 27.6	0.10	2.40	2850	38.1	1.08	.14	35.2	32.0	95
3112KL-05W-B40-	X00	24	10.0 ~ 27.6	0.14	3.36	3350	46.9	1.33	.22	54.5	37.0	95
3112KL-05W-B50-	X00	24	10.0 ~ 25.2	0.19	4.56	3850	51.5	1.46	.26	65.1	41.0	95
3112KL-05W-B60-	X00	24	10.0 ~ 25.2	0.21	5.04	4350	58.6	1.66	.32	78.9	44.0	95

Rotation: Clockwise

Airflow Outlet: Air Out Over Struts

*1: Average Values in Free Air