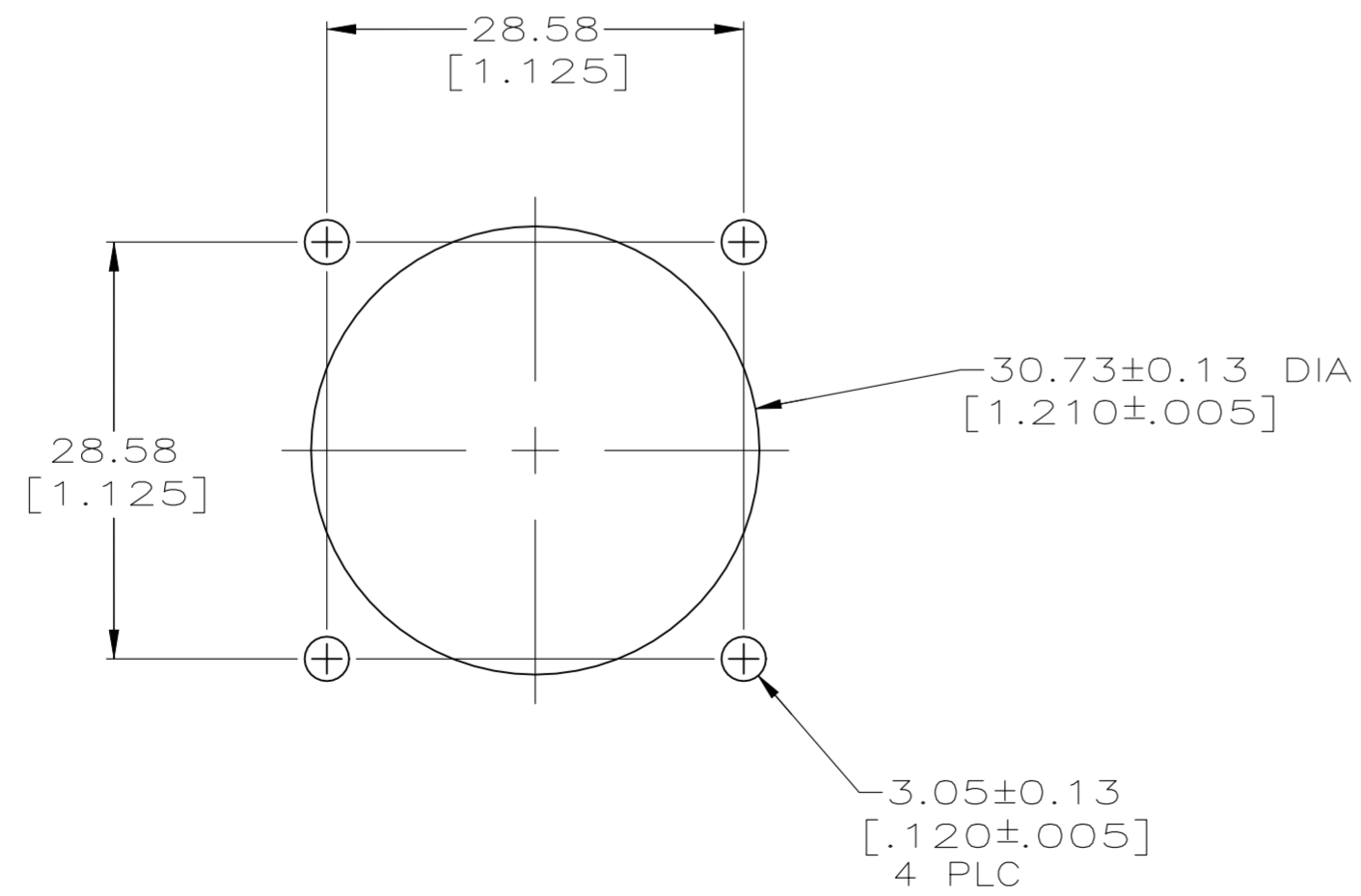
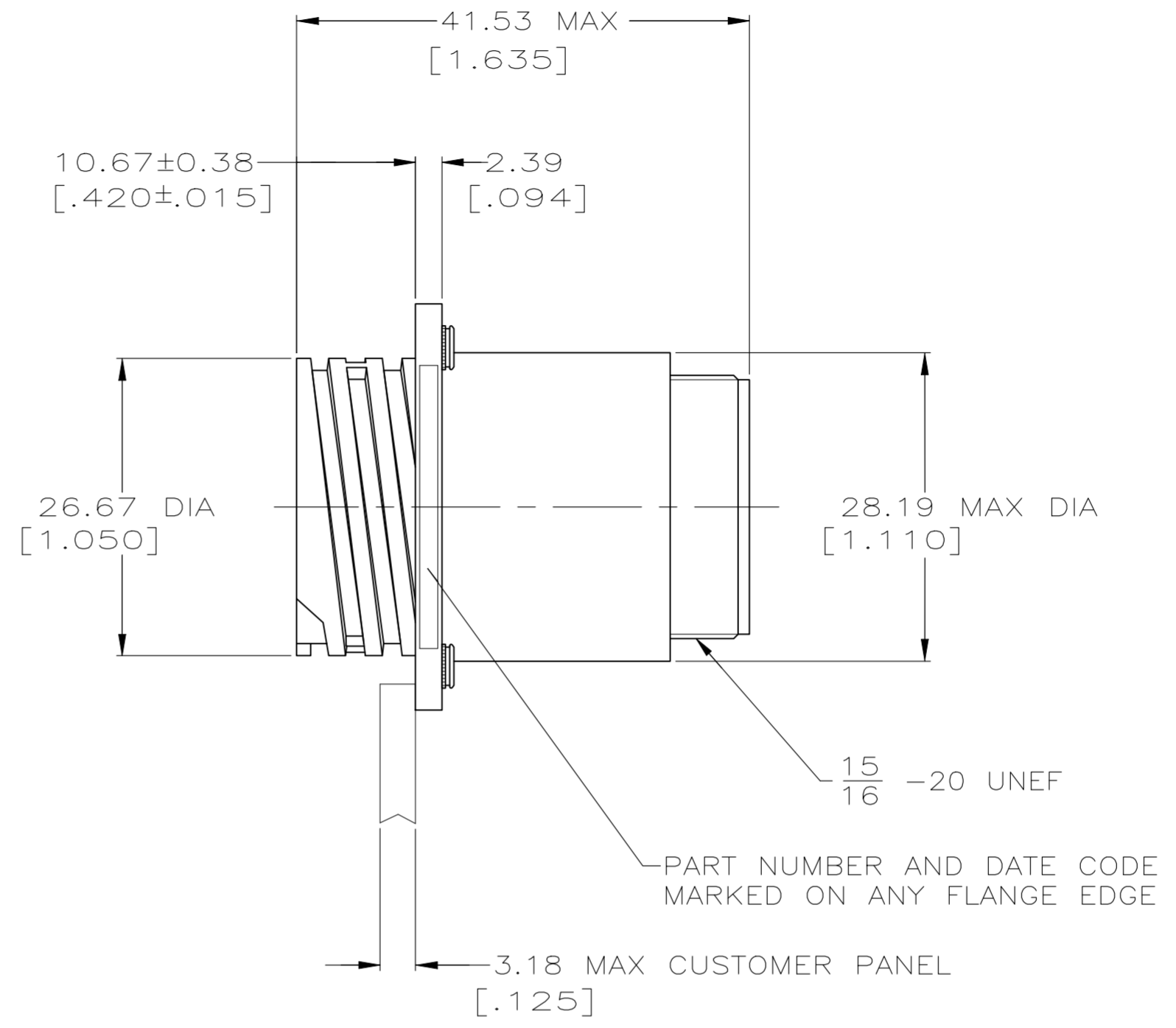
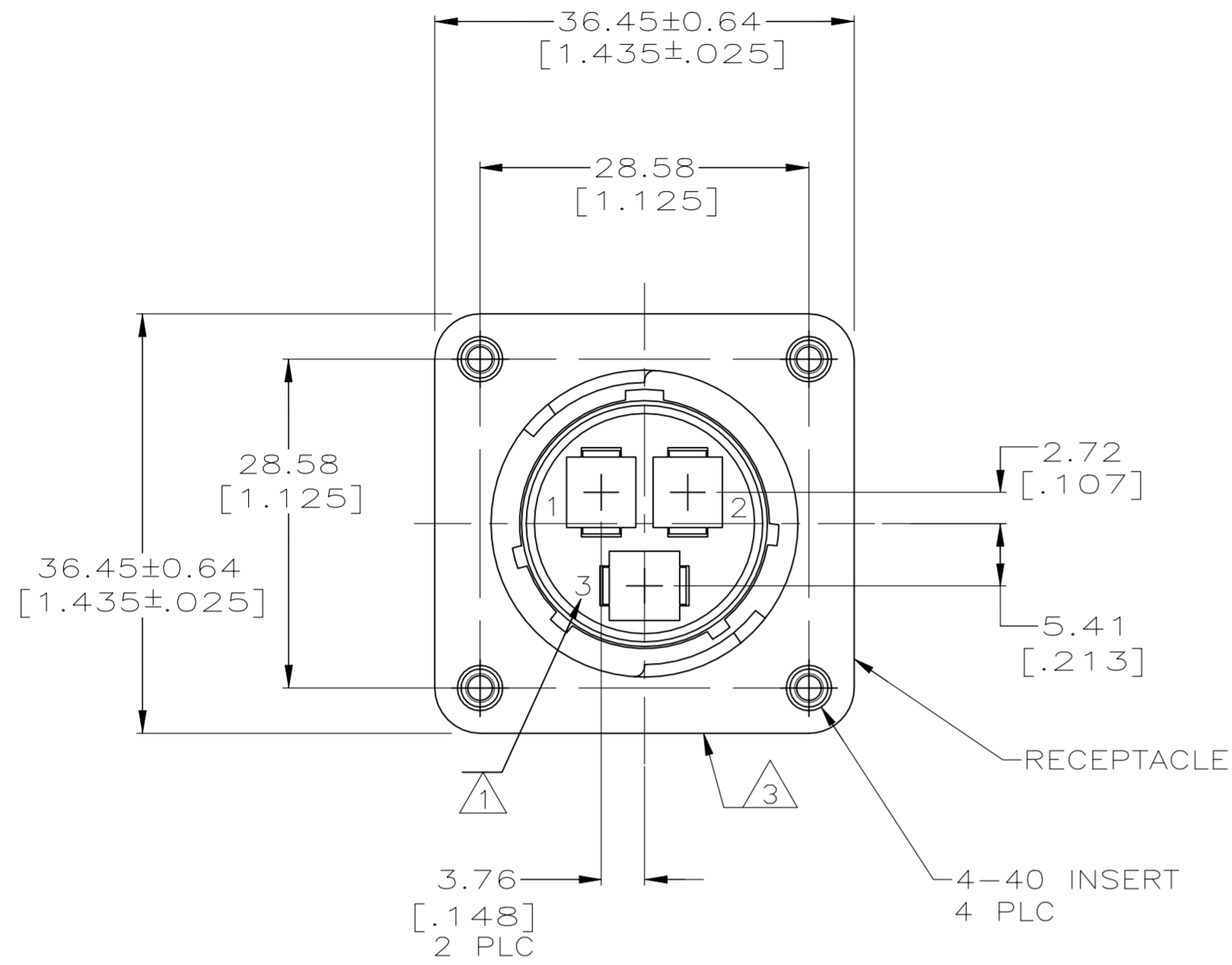


REVISIONS					
P	LTR	DESCRIPTION	DATE	DWN	APVD
B		REVISED PER ECN-22-160774	24JUN2022	RK	MZ



- 1 CAVITY IDENTIFICATION CHARACTERS ON FRONT AND REAR FACE.
- 2 WILL ACCEPT 3 TYPE XII PIN CONTACTS.
- 3 TE LOGO LOCATED ON ANY FLANGE EDGE

213581-1

THIS DRAWING IS A CONTROLLED DOCUMENT.		DWN	J McCLINTON	3-5-90	TE TE Connectivity	
DIMENSIONS: mm [INCHES]		CHK				
TOLERANCES UNLESS OTHERWISE SPECIFIED:		APVD			NAME	
0 PLC	± -	PRODUCT SPEC			RECEPTACLE ASSEMBLY, 17-3, STANDARD SEX, WITH 4-40 INSERT, CPC	
1 PLC	± -	APPLICATION SPEC			SIZE	A2
2 PLC	± 0.25[.010]				CAGE CODE	00779
3 PLC	± -				DRAWING NO	C=213581
4 PLC	± -				RESTRICTED TO	
ANGLES	± -	WEIGHT				
MATERIAL	INSERT: BRASS RECEPTACLE: NYLON, BLACK	FINISH			SCALE	2:1
		CUSTOMER DRAWING			SHEET	1 of 1
					REV	B