


## VS-25-DEVNET

Order No.: 1652240

<http://eshop.phoenixcontact.de/phoenix/treeViewClick.do?UID=1652240>

D-SUB complete connector, for DeviceNet, shell size 3, plug, screw connection, unshielded, connection direction straight, IP67 degree of protection

*DeviceNet™*

| Commercial data          |  |
|--------------------------|--|
| GTIN (EAN)               | <br>4 017918 929169 |
| sales group              | D503   |
| Pack                     | 1 pcs.   |
| Customs tariff           | 85369010   |
| Catalog page information | Page 24 (PC-2005)  |

**Product notes**

WEEE/RoHS-compliant since:  
10/31/2006



<http://www.download.phoenixcontact.com>  
Please note that the data given here has been taken from the online catalog. For comprehensive information and data, please refer to the user documentation. The General Terms and Conditions of Use apply to Internet downloads.

**Technical data**

| Mechanical characteristics   |   |
|------------------------------|---|
| Number of positions          | 5   |
| Type of connection           | Screw connection                            |
| Conductor cross-section      | 0.2 mm <sup>2</sup> ... 2.5 mm <sup>2</sup> |
| Connection cross-section AWG | 24 ... 12                                   |
| Cable exit                   | Angled                                      |
| Type of cable                | Round cable                                 |

|                                 |                  |
|---------------------------------|------------------|
| Ambient temperature (operation) | -40 °C ... 80 °C |
|---------------------------------|------------------|

**Material data**

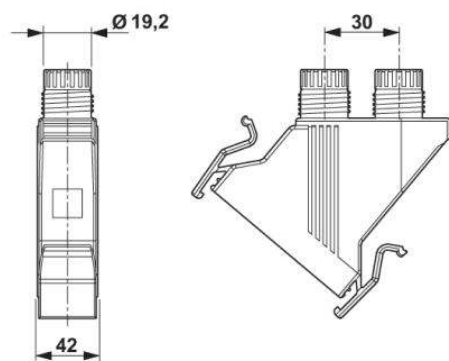
|                                    |             |
|------------------------------------|-------------|
| Inflammability class acc. to UL 94 | V0          |
| Housing material                   | PA          |
| Contact carrier material           | PA          |
| Contact material                   | Cu alloy    |
| Contact surface material           | Gold-plated |
| Degree of protection               | IP67        |

**Electrical characteristics**

|                        |       |
|------------------------|-------|
| Number of positions    | 5     |
| Rated current          | 8 A   |
| Surge voltage category | III   |
| Pollution degree       | 3     |
| Rated voltage (III/3)  | 250 V |
| Rated current          | 8 A   |

**Diagrams/Drawings**

Dimensioned drawing



D-SUB connector

**Address**

PHOENIX CONTACT Deutschland GmbH  
Flachmarktstr. 8  
32825 Blomberg, Germany  
Phone +49 5235 3 12000  
Fax +49 5235 3 41200  
<http://www.phoenixcontact.de>



© 2011 Phoenix Contact  
Technical modifications reserved;