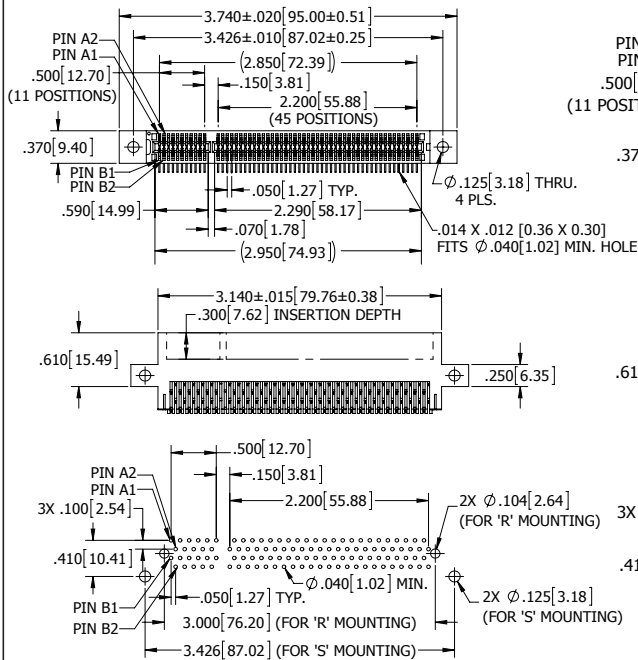
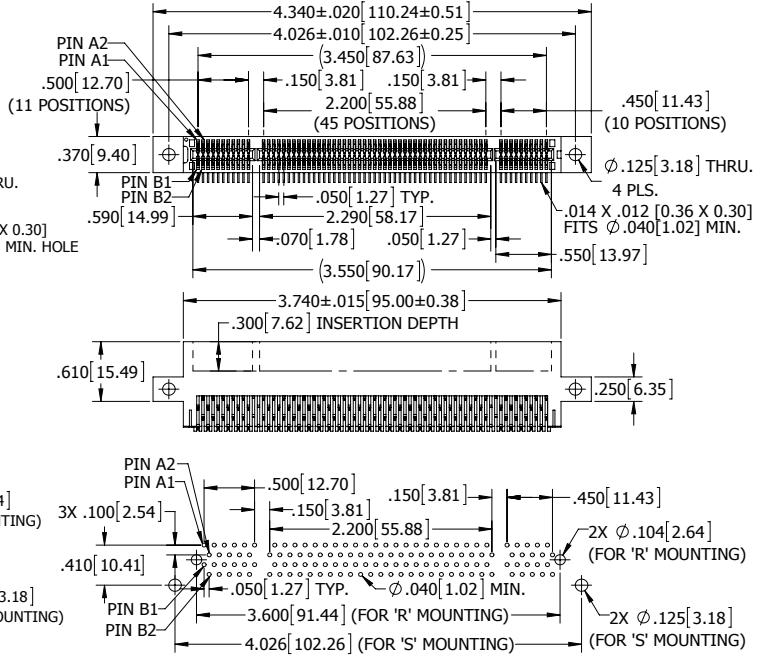




DIMENSIONS Dimensions in [] are in millimeters, all others are in inches.

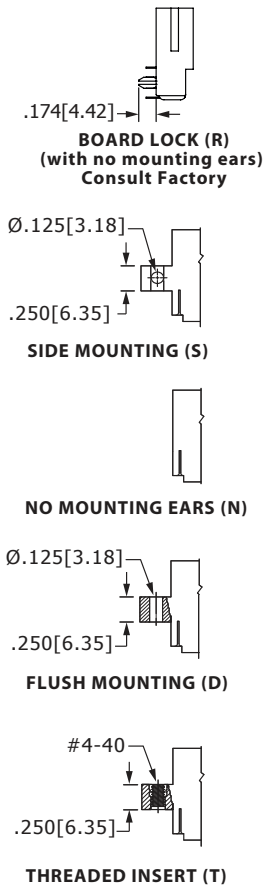


GBB56DHAS-S621, 56(11/45) POSITIONS

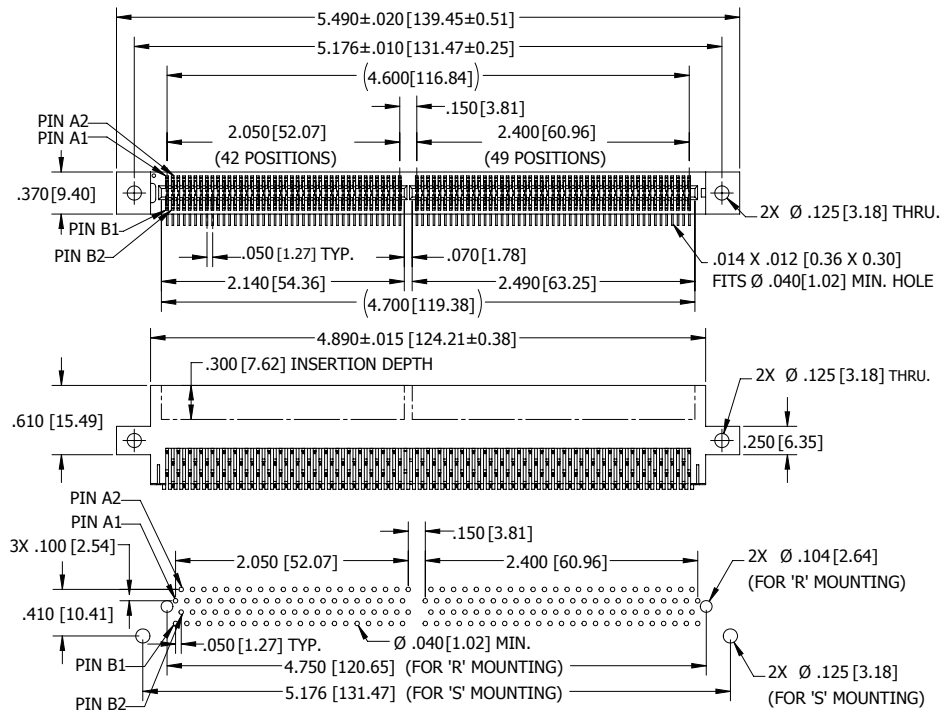


GBB66DHAS-S621, 66(11/45/10) POSITIONS

MOUNTING STYLE



DIMENSIONS Dimensions in [] are in millimeters, all others are in inches.



GBB91DHAS-S621, 91 (42/49) POSITIONS



Industry Standard Part

High Density Card Edge

PART NUMBER OPTIONS

MATERIALS (INSULATOR/CONTACT)

- G = PA9T/Phosphor Bronze
- R = PPS/Phosphor Bronze
- J = PA9T/Beryllium Copper
- A = PPS/Beryllium Copper

Refer to Page 7 for Operating/Processing Temperatures

CONTACT FINISH - RoHS Compliant

All platings are Lead Free and have .000050" Nickel underplate

Contact Surface	Termination
B = .000010" Gold	.000100" Pure Tin, Matte
C = .000030" Gold	.000100" Pure Tin, Matte

CONTACT CENTERS

- B = .050" [1.27 mm]

G B B 56 D HA D - S621

MODIFICATION (Consult Factory)

- S621 = Card Slot Barriers Without Guide Posts

MOUNTING STYLE (Opposite Page)

- S = Side Mounting
- D = Flush Mounting
- N = No Mounting
- T = Flush Mounting With Threaded Insert
- R = Metal Board Lock

TERMINATION TYPE

- HA = .100" [2.54 mm] Staggered Right Angle
- HB = .170" [4.32 mm] Staggered Right Angle

READOUT

- D = Dual

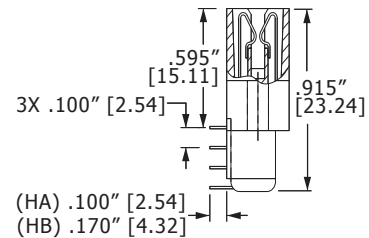
NUMBER OF CONTACT POSITIONS

- 56 = 11/45
- 66 = 11/45/10
- 91 = 42/49
- 106 = 11/45/50

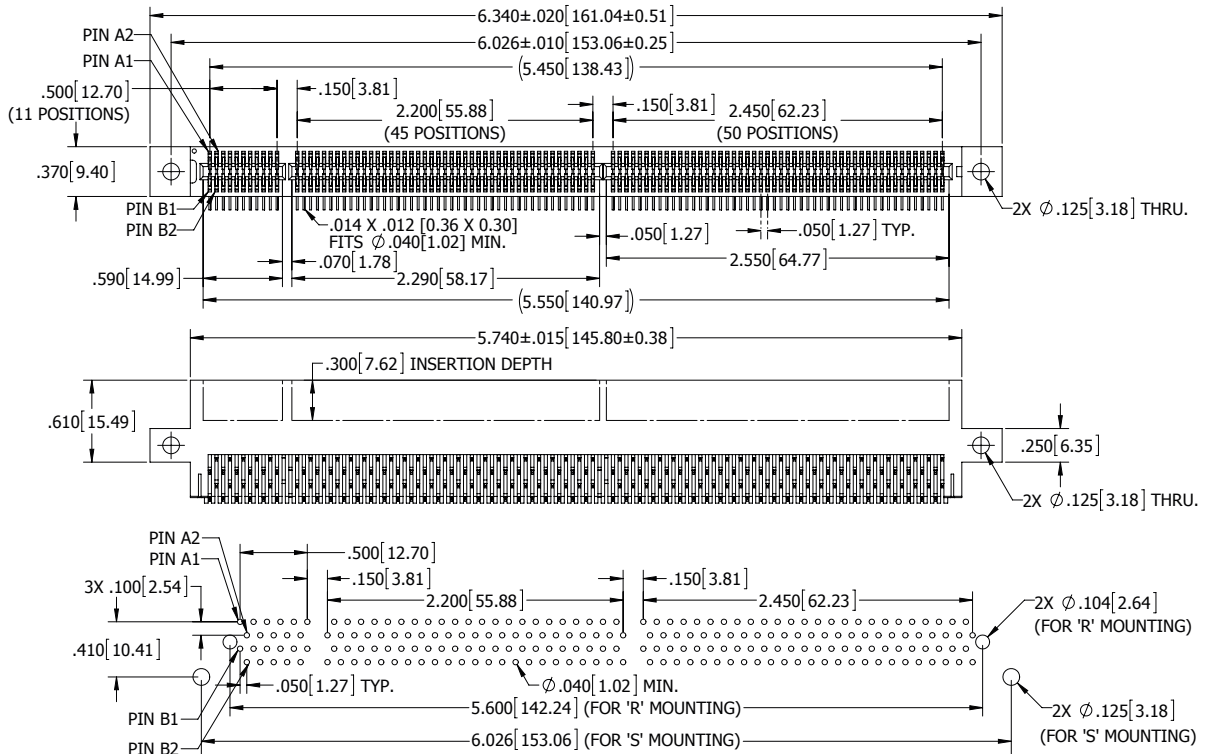
SPECIFICATIONS

- Accommodates .062" ± .008" [1.57 mm ± 0.20 mm] PC board
- PPS or PA9T insulator
- Molded-in key available
- High reliability/high cycle hairpin bellow contacts
- 1 Amp current rating per contact for contacts fully energized
- UL Flammability Rating: 94V-0

TERMINATION TYPE



DIMENSIONS Dimensions in [] are in millimeters, all others are in inches.



**BOARD LAYOUT, CONNECTOR SIDE
GBB106DHAS-S621, 106 (11/45/50) POSITIONS**