

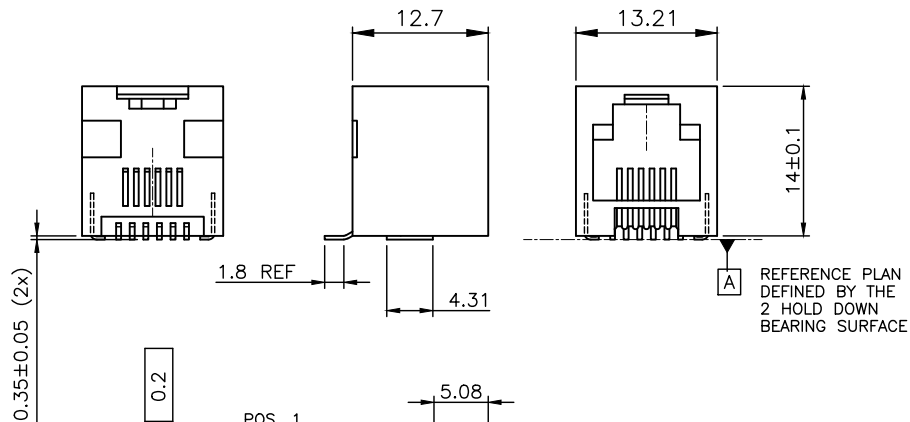
PRODUCT NUMBER
73334-XXXLF

PLATING OPTION
1= GXT 0.76 μ m
3= GOLD 0.76 μ m
5= GOLD 1.27 μ m

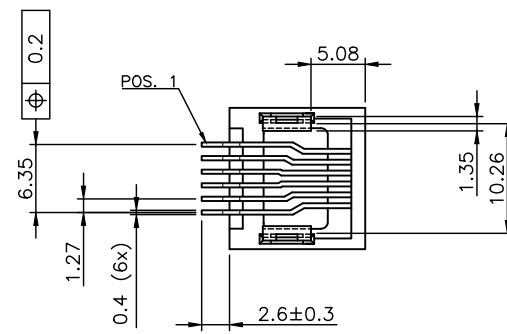
PACKAGE OPTION
1= TAPE ON REEL
2= TUBE
3= TAPE ON REEL IN PLASTIC BAG

TERMINAL LOADING
1= FULLY LOADED
2= POS 2,3,4,5
3= POS 1,2,5,6

WHEN NEEDED, SUFFIX LETTER "LF"
INDICATES THE PRODUCT IS RoHS
COMPATIBLE, SEE NOTE 4.

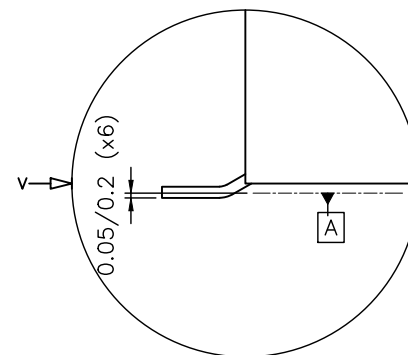


REFERENCE PLAN
DEFINED BY THE
2 HOLD DOWN
BEARING SURFACE



VIEW ACCORDING "V"

SEE NOTE 3



NOTES:

- 1 - MATERIAL: HOUSING: HIGH TEMP. PCT, COLOUR BLACK.
TERMINAL: PHOSPHOR BRONZE.
- 2 - PLATING: CONTACT AREA: SEE TABLE.
SOLDER TAIL : 90/10 SnPb 2 μ m MIN.
WHEN SUFFIX "LF" IS REQUIRED, 2 μ m MIN MATTE
TIN OVER 1.27 MIN Ni IS SUPPLIED INSTEAD OF SnPb.
NO RAW EDGES EXCEPT SOLDER TAIL TIPS
- 3 - SOLDER TAILS COPLANARITY : 0.1 mm
- 4 - RoHS COMPATIBLE PRODUCT SPECIFICATIONS
 - a - PLATING:
 - "LF" MEANS THE PRODUCT IS LEAD-FREE,
2 μ m MINIMUM MATTE TIN OVER 1.27 μ m
MINIMUM NICKEL UNDERPLATE.
 - b - MANUFACTURING PROCESS COMPATIBILITY
 - THE HOUSING WILL WITHSTAND EXPOSURE TO
245°C PEAK TEMPERATURE FOR 30 SECONDS
MAX IN A CONVECTION, INFRA-RED OR VAPOR
PHASE OR REFLOW OVEN.
 - c - LABELING:
 - MEETS PACKAGING SPECS AS PER GS-14-920
 - d - LEGAL STATEMENT: SEE GS-47-0004
- 5 - PACKAGING FOR OPTION 3 : EACH REEL IS WRAPPED INTO A PLASTIC BAG
TO PROTECT FROM MOISTURE DURING STACKING TIME.

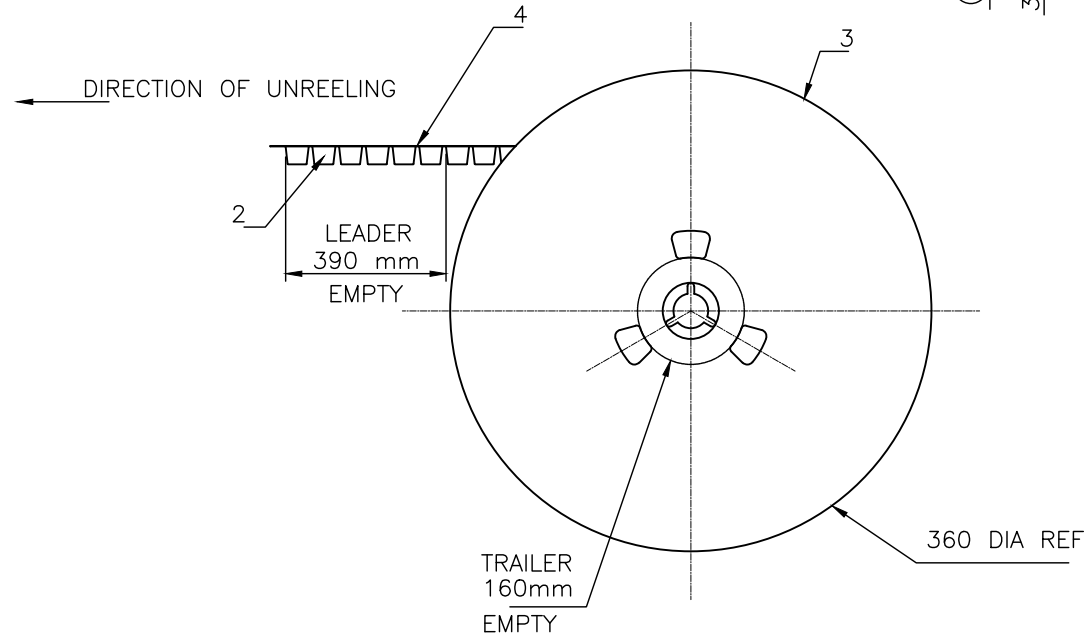
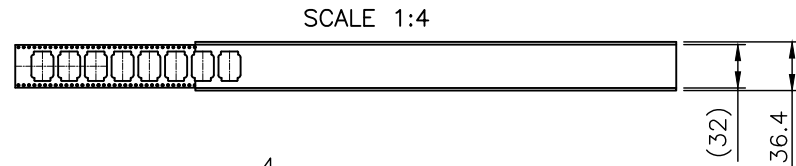
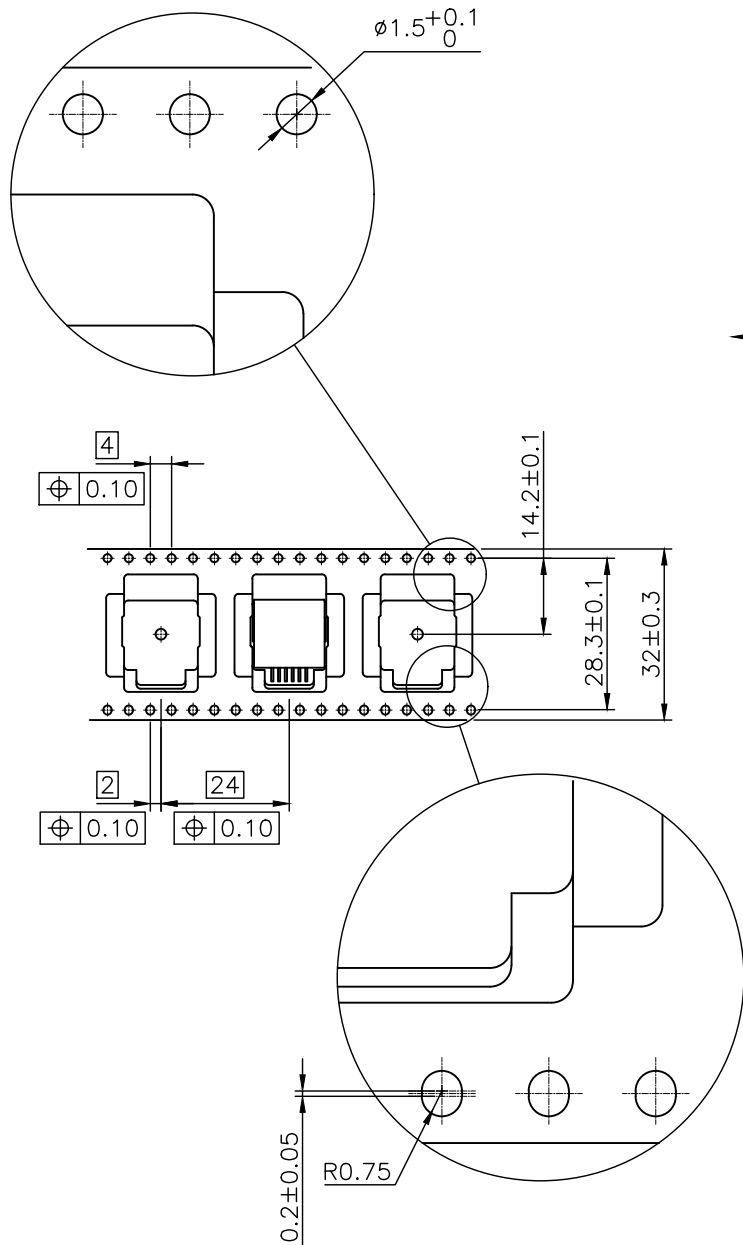
CUSTOMER COPY FOR REFERENCE ONLY

mat'l. code		surface ISO 1302 <input checked="" type="checkbox"/> ISO 406 <input type="checkbox"/> ISO 1101 <input type="checkbox"/>		tolerance ISO 406 <input checked="" type="checkbox"/> ISO 1101 <input type="checkbox"/>		projection 		product family MODULAR JACK	
ltr		ecn no		dr		date		title	
H		F10-0239		APA		10.10.25		SMT RA JACK 6 POS INSIDE	
J		B-15798		JFA		13.09.09			
K		F-21888		AMA		15.09.09			
L		F-45279		DDE		22.07.05			
F		F05-0247		DLE		05.09.12		dwg no	
G		F06-0240		DLE		06.07.18		sheet 1 of 3	
sheet		revision		L		D		size	
index		sheet		1		2		A3	
								type	
								CUSTOMER Drawing	



PRODUCT NUMBER
SEE SHEET 1

LTR	PART NAME	QTY
1	PRODUCT	230
2	TAPE	1
3	REEL	1
4	COVER TAPE	1



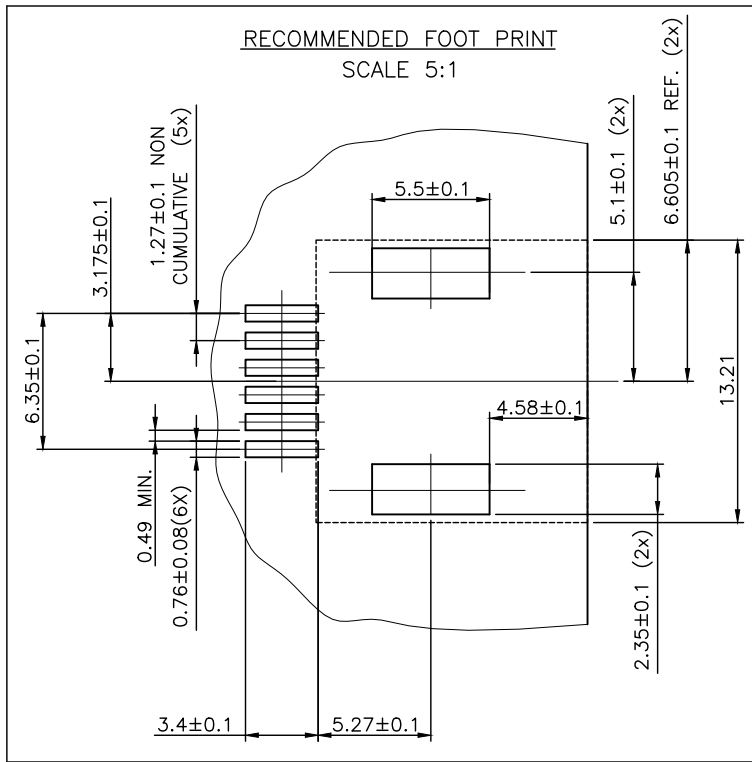
1- IN ACCORDANCE WITH EIA-481 AND IEC 296-3

CUSTOMER COPY FOR REFERENCE ONLY

mat'l. code		surface ISO 1302		tolerance ISO 406 ISO 1101		projection		product family	
C F80620		DLE 98.11.26		tolerances unless otherwise specified		mm		MOD-JACK	
D F06-024G		DLE 06.07.18		angles linear		scale 1:1		title	
				dr D LEGRAND 06.07.18		FCJ		SMT RA JACK	
				enr P NIZZI 06.07.18				6 POS. INSIDE	
				chr D LE 06.07.18				dwg no 73334	
				app P NZ 06.07.18				sheet 2 of 3	
sheet index		revision sheet						size A3	
								type CUSTOMER Drawing	

A
B
C

A
B
C



CUSTOMER COPY FOR REFERENCE ONLY

mat'l. code		surface	tolerance	projection	product family		
		ISO 1302	ISO 406 ISO 1101		MODULAR JACK		
ltr	ecn no	dr	date	tolerances unless otherwise specified		title	
A	F04-0363	DLE	04.10.19	±0.13		SMT RA JACK 6 POS INSIDE	
B	F06-0240	DLE	06.07.18	angles	linear		
				±2°	mm	scale 2:1	
		dr	D LEGRAND	04.10.19		dwg no	
		enr	P NIZZI	04.10.19		sheet 3 of - size	
		chr	D LEGRAND	04.10.19		73334	A4
		app	P NZ	04.10.19		type	CUSTOMER Drawing
sheet index	revision sheet						

D