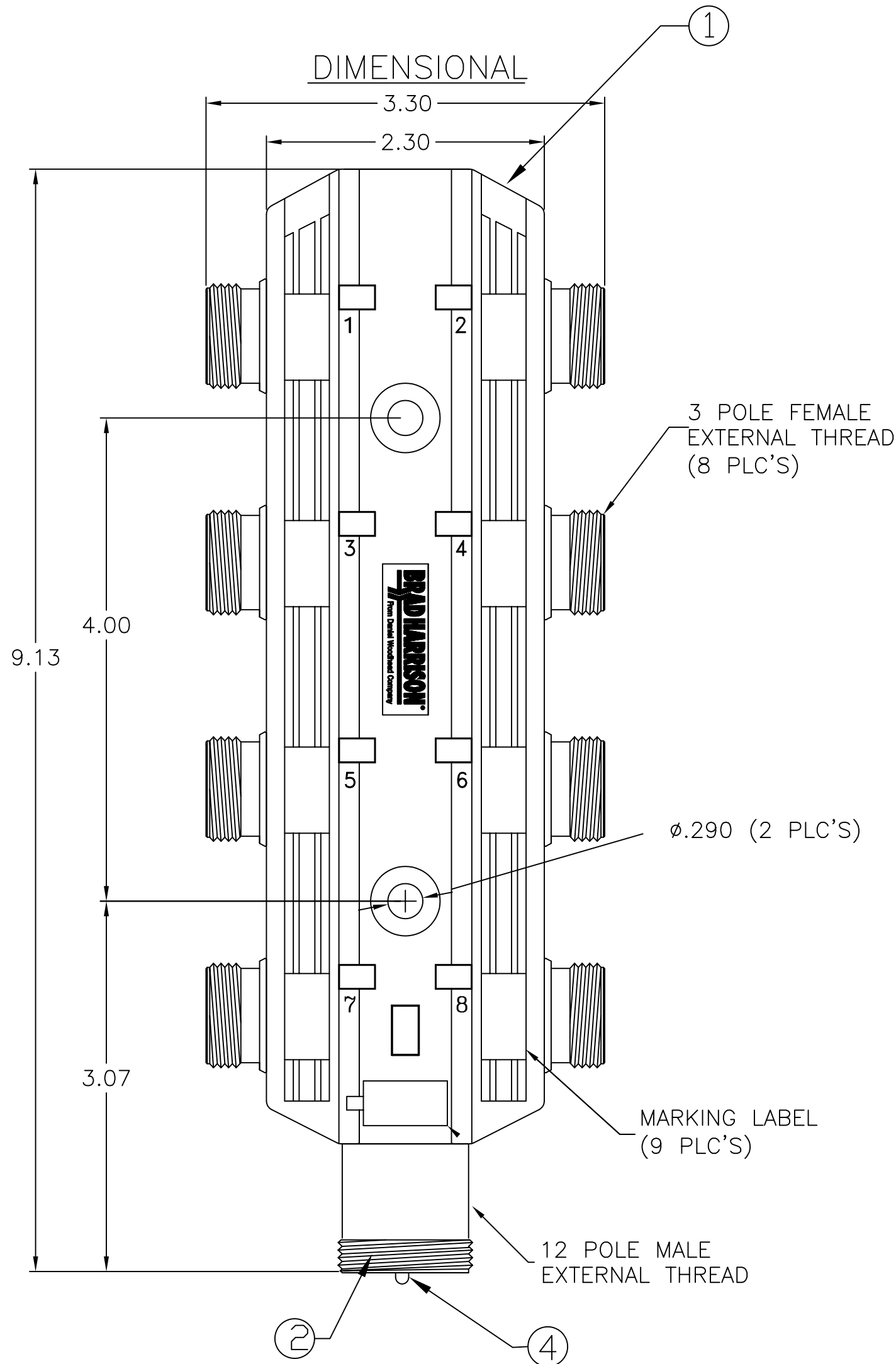


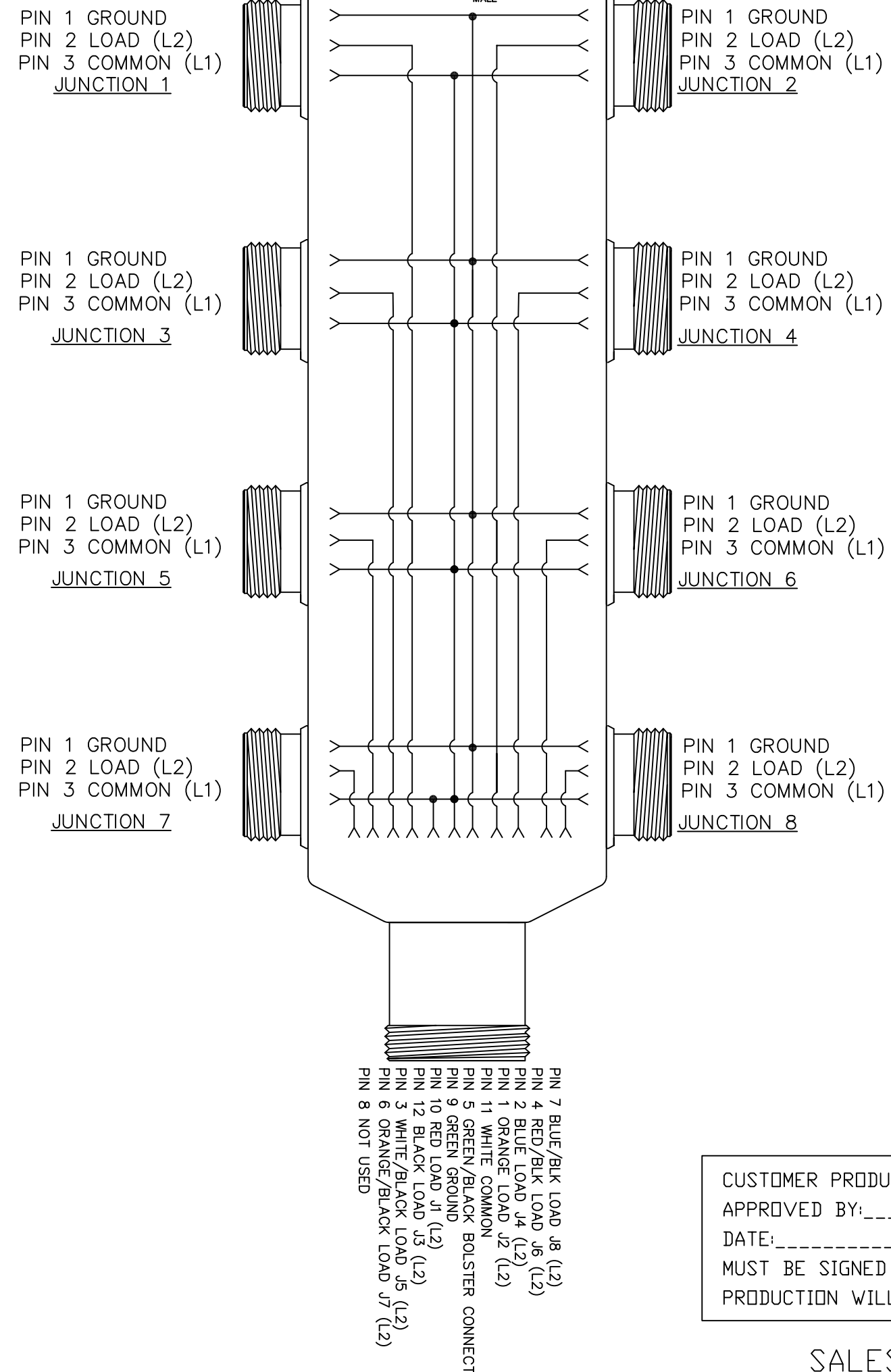
MATERIAL NUMBER
ENGINEERING NUMBER

1300600079 1300600079

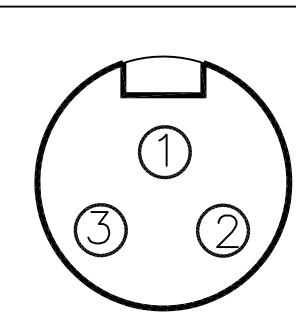
DIMENSIONAL



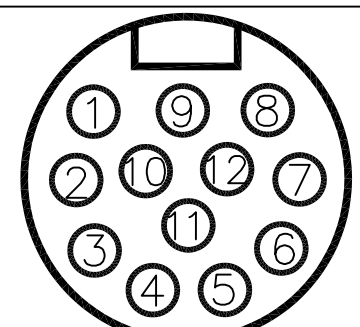
SCHEMATIC



3 POLE FEMALE
FRONT VIEW



12 POLE MALE
FRONT VIEW



NOTES:

- MATERIAL: SEE TABLE
- FINISHES: SEE TABLE
- ELECTRICAL DATA:
VOLTAGE: 300V AC/DC
AMPERAGE: 5AMPS PER MPIS UNIT
- ENVIRONMENTAL:
PROTECTION IP67
AMBIENT OPERATING TEMPERATURE -25°C TO 90°C

CUSTOMER PRODUCTION APPROVAL
APPROVED BY: _____
DATE: _____
MUST BE SIGNED AND RETURNED BEFORE
PRODUCTION WILL BEGIN.

SALES DRAWING

ITEM	QTY.	DESCRIPTION	MATERIAL	FINISH
5	9	INSERT	PVC	YELLOW
4	10	PIN CONTACT	COPPER ALLOY	GOLD PLATED
3	24	SOCKET CONTACT	COPPER ALLOY	GOLD PLATED
2	9	RECEPTACLE SHELL	E-COATED ZINC ALLOY	BLACK
1	1	HOUSING	PBT	YELLOW

<p>RELEASE</p> <p>EC NO: WNA2011-0073</p> <p>DRWN: BWOODMAN20100511</p> <p>CH'KD: TWOLDEGE</p> <p>APPR: JFMURPHY</p>	<p>QUALITY SYMBOL</p> <p>▽=0</p> <p>∇=0</p>	<p>GENERAL TOLERANCES (UNLESS SPECIFIED)</p>		<p>DIMENSION STYLE</p> <p>INCH</p>		<p>SCALE</p> <p>----</p>	<p>DESIGN UNITS</p> <p>INCH</p>	<p>THIRD ANGLE PROJECTION</p>	
		<p>4 PLACES ±---</p>	<p>mm INCH</p>	<p>DRAWN BY DATE</p> <p>BWOODMAN 2010/05/11</p>	<p>TITLE</p> <p>8PORT SIDE MOUNT MPIS 8PORT 3-POLE FEMALE W/ 12P MALE HOME RUN CONN.</p>				
		<p>3 PLACES ±---</p>	<p>±0.05 ±---</p>	<p>CHECKED BY DATE</p> <p>TWOLDEGE 2010/08/19</p>	<p>MOLEX INCORPORATED</p>				
		<p>2 PLACES ±0.05 ±---</p>	<p>1 PLACE ±0.1 ±---</p>	<p>APPROVED BY DATE</p> <p>JFMURPHY 2010/10/07</p>	<p>DOCUMENT NO.</p> <p>SD-130060-014</p>	<p>SHEET NO.</p> <p>1 OF 1</p>			
<p>ANGULAR ±---°</p>		<p>DRAFT WHERE APPLICABLE MUST REMAIN WITHIN DIMENSIONS</p>		<p>SIZE</p> <p>C</p>	<p>THIS DRAWING CONTAINS INFORMATION THAT IS PROPRIETARY TO MOLEX INCORPORATED AND SHOULD NOT BE USED WITHOUT WRITTEN PERMISSION</p>				