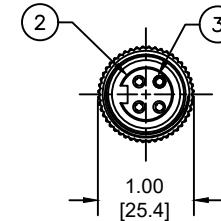
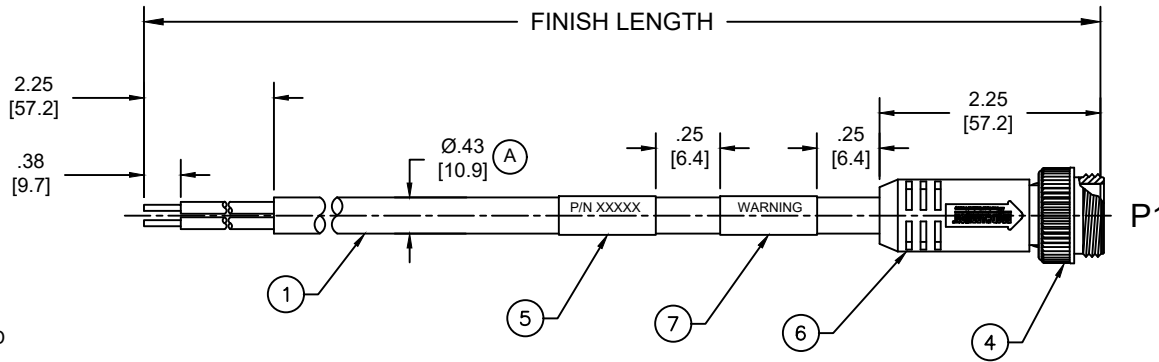
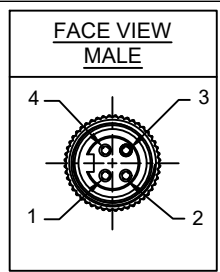
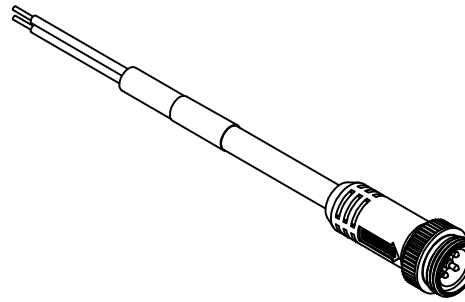


MATERIAL NUMBER	ENGINEERING NUMBER	FINISHED LENGTH
1300610129	104006A45M005	0.5M [1FT 8 IN]
1300610141	104006A45M100	10M [32FT 10 IN]
1300610142	104006A45M300	30M [98FT 5 IN]

(A) PART NUMBER LEGEND

104006A45M005

LENGTH:  
M005= 0.5 METER  
M010= 1 METER  
M100= 10 METER



FACE VIEW - MALE

NOTES:

- MATERIAL: AS NOTED
- FINISH: AS NOTED
- ELECTRICAL:
  - VOLTAGE: 483V PER IEC60664 (A)
  - 600V PER UL2237
  - CURRENT: 10A (A)
- TEMP RATING: -20°TO +105°C (A)
- PROTECTION: IP67 (WHEN MATED)
- COUPLING THREAD: 7/8"-16UN
- UL LISTED FILE: E258922
- ALL DIMENSIONS ARE FOR REFERENCE UNLESS TOLERANCED OR NOTED OTHERWISE

P1

BLACK	1
WHITE	2
RED	3
GREEN/YELLOW	4

WIRING DIAGRAM

(A)

CABLE LENGTH TOLERANCES	
<.3M [1FT]:	+19mm-0 [+ .75in-0]
.3 - .9M [1 - 3FT]:	+44.5mm-0 [+1.75in-0]
.9 - 1.8M [3 - 6FT]:	+55.6mm-0 [+2.19in-0]
1.8 - 3.7M [6 - 12FT]:	+88.9mm-0 [+3.50in-0]
3.7 - 7.3M [12 - 24FT]:	+165.1mm-0 [+6.50in-0]
7.3-14.6M [24 - 48FT]:	+317.5mm-0 [+12.50in-0]
14.6 - 30.5M [48-100FT]:	+622.3mm-0 [+24.50in-0]
OVER 30M [100FT]	+2% OF FINISHED LENGTH

ITEM	DESCRIPTION	MATERIAL	FINISH
7	WARNING LABEL	VINYL	BLACK
6	OVERMOLD	TPE	GRAY
5	WRAP LABEL	VINYL	YELLOW
4	COUPLING NUT	ZINC ALLOY	BLACK E-COAT
3	PIN CONTACT	BRASS	GOLD OVER NICKEL
2	4P MALE INSERT	TPE	BLACK
1	#16/4 CABLE	PVC JACKET	GRAY

FUNCTIONAL SYMBOLS $F_A=0$ $F_C=0$ $F_P=0$	DIMENSION UNITS: INCH/MM SCALE: NTS		CURRENT REV DESC: ITEM 2 & 6 WERE PVC. ADDED IEC VOLTAGE, PN LEGEND, CABLE DIA & TOL CHART. MODIFIED TEMP RATING AND PN TABLE.																			
	GENERAL TOLERANCES (UNLESS SPECIFIED)		EC NO: 698916																			
	<table border="1"> <thead> <tr> <th></th> <th>mm</th> <th>INCH</th> </tr> </thead> <tbody> <tr> <td>4 PLACES</td> <td>±----</td> <td>±----</td> </tr> <tr> <td>3 PLACES</td> <td>±----</td> <td>±----</td> </tr> <tr> <td>2 PLACES</td> <td>±----</td> <td>±----</td> </tr> <tr> <td>1 PLACE</td> <td>±----</td> <td>±----</td> </tr> <tr> <td>0 PLACES</td> <td>±----</td> <td>±----</td> </tr> </tbody> </table>			mm	INCH	4 PLACES	±----	±----	3 PLACES	±----	±----	2 PLACES	±----	±----	1 PLACE	±----	±----	0 PLACES	±----	±----	DRWN: ABENJAMINLW 2021/06/14 CHK'D: RSTONE 2022/03/09 APPR: BWOODMAN 2022/03/11	
		mm	INCH																			
4 PLACES	±----	±----																				
3 PLACES	±----	±----																				
2 PLACES	±----	±----																				
1 PLACE	±----	±----																				
0 PLACES	±----	±----																				
DIVISIONAL SYMBOLS		INITIAL REVISION: DRWN: VOU 2010/01/14 APPR: JFMURPHY 2010/01/20																				
ANGULAR TOL ± ---- °		THIRD ANGLE PROJECTION																				
DRAFT WHERE APPLICABLE MUST REMAIN WITHIN DIMENSIONS		DRAWING: A-SIZE SERIES: 130061																				

**molex**

BRAD POWER CORDSET, A-SIZE  
4-POLE, MALE, STRAIGHT, SINGLE KEY,  
#16 AWG

PRODUCT CUSTOMER DRAWING

DOCUMENT NUMBER	DOC TYPE	DOC PART	REVISION
SD-130061-015	PSD	001	A

DOCUMENT STATUS	P1	RELEASE DATE	2022/03/11	14:29:46
-----------------	----	--------------	------------	----------