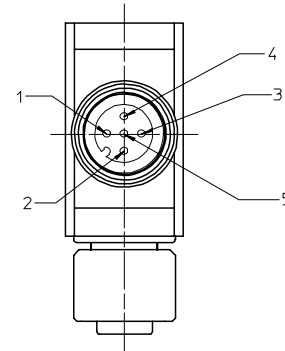
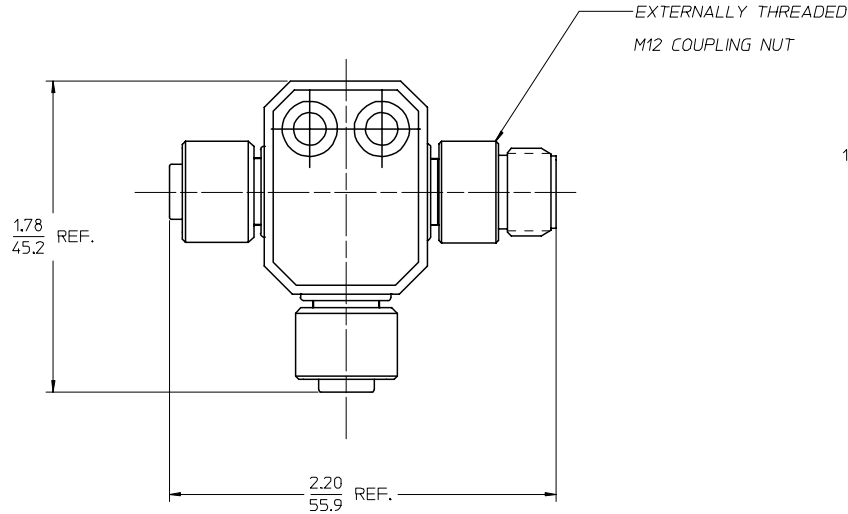
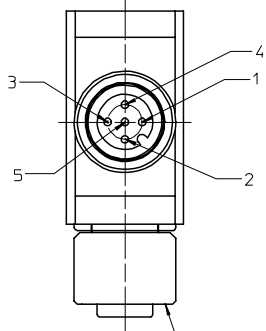


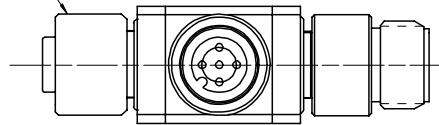
MOLEX PART NO.	OLD MOLEX PART NO.
845860017	845860012

MIC FEMALE FACE VIEW

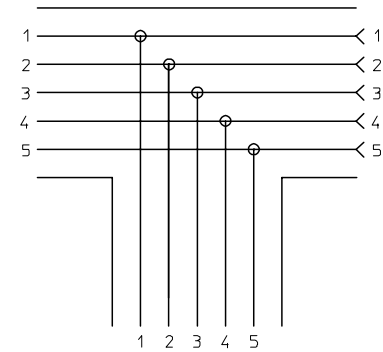


MIC MALE FACE VIEW

INTERNALLY THREADED
M12 COUPLING NUT



SCHEMATIC



MATERIAL:

1. INSERT - PUR
2. CONTACT-PHOSPHOR BRONZE ALLOY
3. COUPLING NUT-NICKEL PLATED BRASS
4. OVERMOLD-PUR
5. COMPONENTS USED IN THIS ASSEMBLY ARE RoHS COMPLIANT OR COMPLIANT BY EXEMPTION.

RELEASED FCC NO: ETC2007-0424 2007/05/16 DRAWN BY R.STONE 2007/05/16 CHKD: J. MACNE IL 2007/05/17 APPR: J. MACNE IL 2007/05/17	QUALITY SYMBOLS = 0 = 0	GENERAL TOLERANCES (UNLESS SPECIFIED)		DIMENSION STYLE IN/MM		SCALE ---	DESIGN UNITS INCH	THIRD ANGLE PROJECTION			
		4 PLACES ± --- ± ---	mm INCH	DRAWN BY R.STONE	DATE 2007/05/16	TITLE M12-TEE, 5/C 2 FEMALE, 1 MALE					
		3 PLACES ± --- ± ---	± --- ± ---	CHECKED BY J. MACNE IL	DATE 2007/05/17	MOLEX INCORPORATED					
		2 PLACES ± --- ± .01	± .01 ± ---	APPROVED BY J. MACNE IL	DATE 2007/05/17	MATERIAL NO.		DOCUMENT NO. SD-84586-007		SHEET NO. 1 OF 1	
1 PLACE ± 0.25 ± ---		ANGULAR ± 1/2°		SEE CHART		THIS DRAWING CONTAINS INFORMATION THAT IS PROPRIETARY TO MOLEX INCORPORATED AND SHOULD NOT BE USED WITHOUT WRITTEN PERMISSION					
DRAFT WHERE APPLICABLE MUST REMAIN WITHIN DIMENSIONS				SIZE C							