



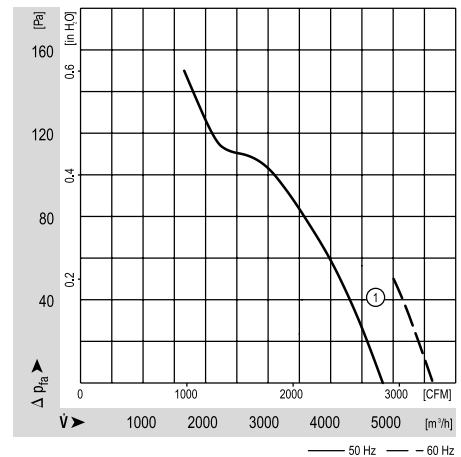
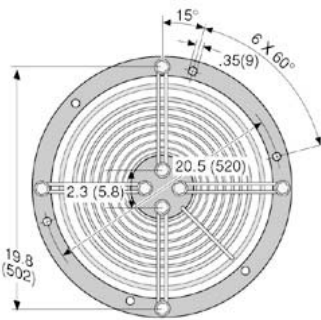
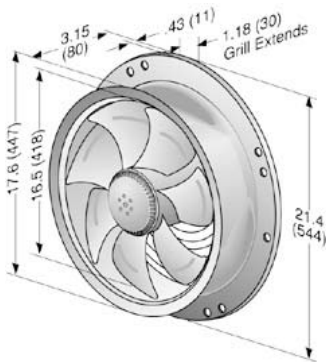
W4E420A Series

Axial

Ø 420mm S-Range

- ebm-papst offers a wide range of AC axial fans to optimally fit any application.
- All metal construction, shallow profile, round venturi plate. Reduced noise and highly efficient compared to other fans.
- Mounting plate with 9 mm holes. Ready to install.
- Discharge over struts: Dir. of rotation is CCW looking at rotor.
- Inlet over struts: Dir. of rotation is CW looking at rotor.
- Maintenance-free ball bearings.
- UL, CSA, VDE approvals on most models, please contact application engineering.

| Part Number | Curve | CFM @ 0 | VAC | Hertz | Power (W) | dBa | Max Amb. Temp C | Bearing Type | Features | Capacitor (µF) | Grill Position | Wgt. (lbs) |
|----------------|-------|---------|-----|-------|-----------|-----|-----------------|--------------|----------|----------------|----------------|------------|
| W4E420-CP03-70 | 1 | 3310 | 115 | 50/60 | 285 | 74 | 40 | Ball | Leads | 20 | Dischg | 10.6 |
| W4E420-CP03-71 | 1 | 3310 | 115 | 50/60 | 285 | 74 | 40 | Ball | Leads | 20 | Inlet | 10.6 |
| W4E420-CP02-70 | 1 | 3310 | 230 | 50/60 | 285 | 74 | 40 | Ball | Leads | 7 | Dischg | 10.6 |
| W4E420-CP02-71 | 1 | 3310 | 230 | 50/60 | 285 | 74 | 40 | Ball | Leads | 7 | Inlet | 10.6 |



ebmpapst

e-mail: sales@us.ebmpapst.com · TEL: 860-674-1515 · FAX: 860-674-8536

ebm-papst Inc., 100 Hyde Road, Farmington, CT 06034 USA

ebm-papst Inc., 2006 © ebm-papst Inc. reserves the right to change any specifications or data without notice