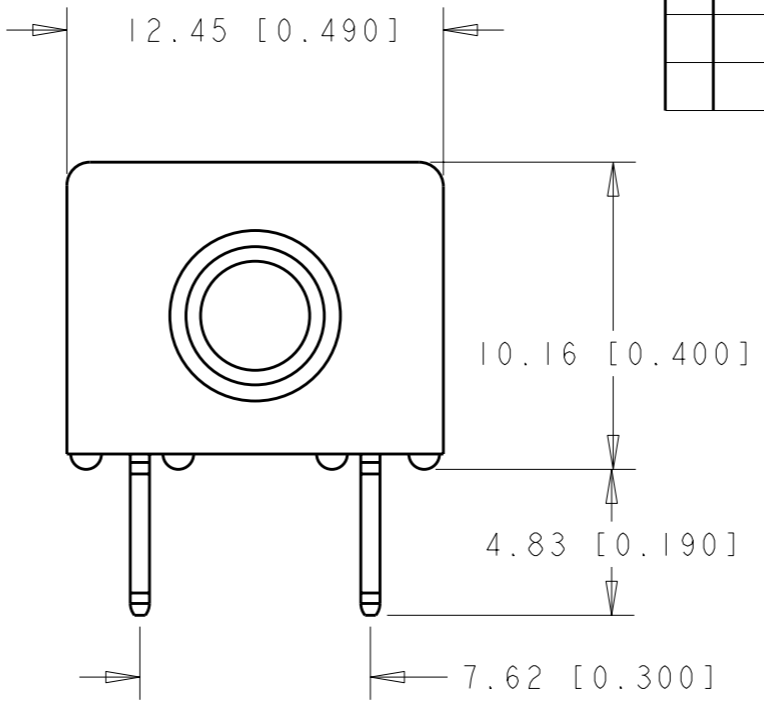
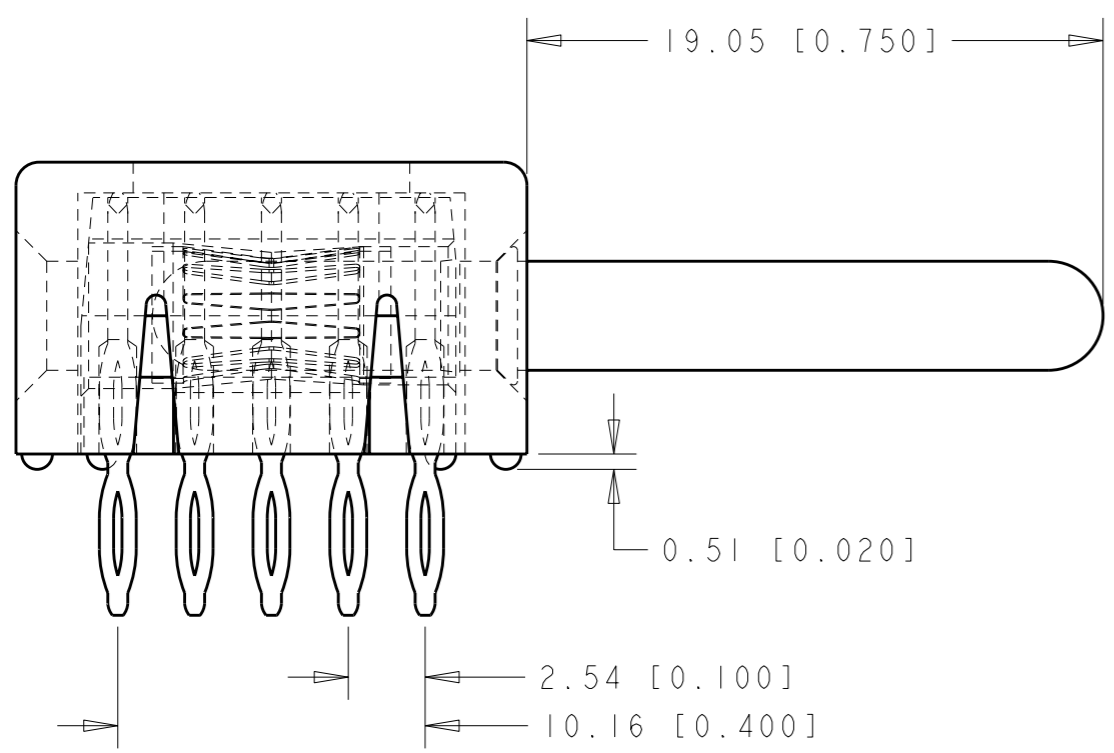


THIS DRAWING IS UNPUBLISHED. RELEASED FOR PUBLICATION 20
 © COPYRIGHT 20 BY TYCO ELECTRONICS CORPORATION. ALL RIGHTS RESERVED.

LOC	DIST	REVISIONS			
P	LTR	DESCRIPTION	DATE	DWN	APVD
GP	00	A	INITIAL RELEASE	19OCT2006	GIP DO



6 FINISH FOR COMPLIANT PIN: .00040 MIN THK TIN OVER
 .000050 MIN THK NICKEL

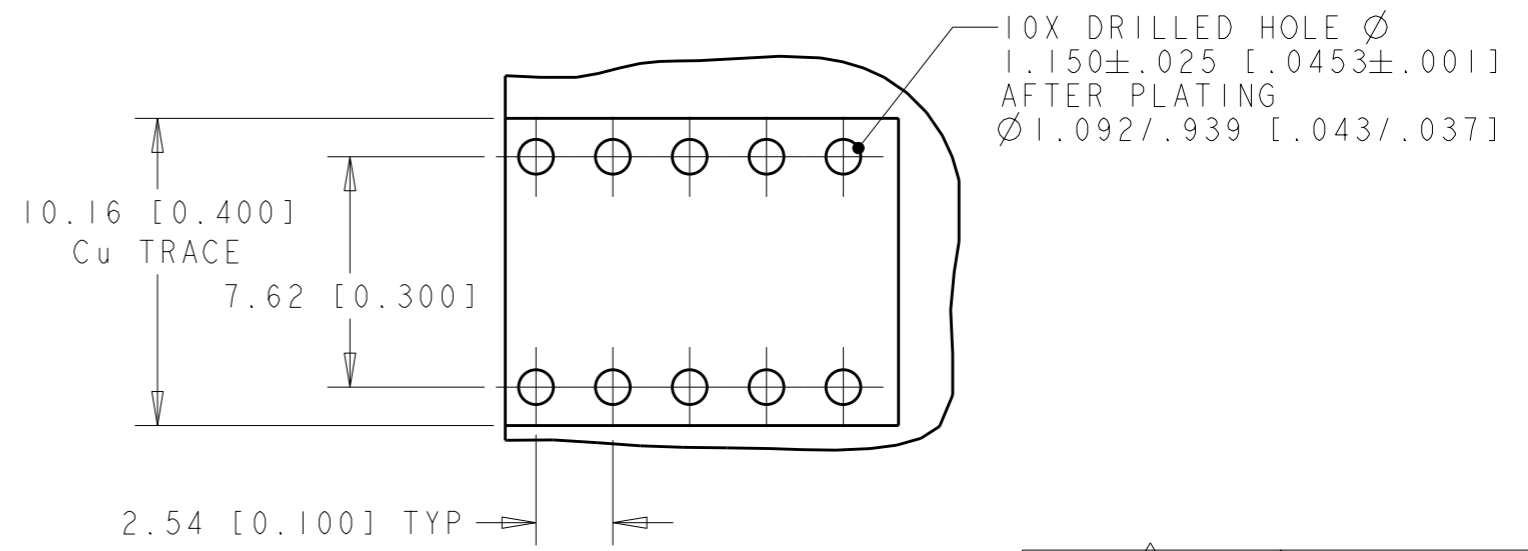
5 FOR APPLICATIONS UTILIZING AN IMMERSION SILVER PLATED PCB, CONTACT TYCO ENGINEERING.

4. FINISH
 INSULATOR - AS MOLDED, COLOR: BLACK
 MODULE - SILVER PLATED .002 IN THK OVER NICKEL .000040 MIN THK
 CROWN - GOLD PLATED .000030 MIN THK OVER NICKEL .00040 MIN THK
 PIN - GOLD PLATE .000030 MIN THK OVER ELECTROLESS NICKEL PLATER .000040 MIN THK

3. MATERIAL
 INSULATOR - POLYESTER, GLASS FILLED, UL94 V-0
 MODULE - ZINC ALLOY
 CROWN - COPPER ALLOY
 PIN CONTACT - BRASS
 COMPLIANT PIN - PHOS BRONZE

2. ITEM PROVIDED TO THIS SPECIFICATION SHALL BE IDENTIFIED ON CONTAINER WITH THE FOLLOWING INFORMATION, PART NUMBER AND DATE CODE OF MANUFACTURE.

1. PART NUMBER CHANGES AND/OR DESIGN CHANGES AFFECTING ITEM INTERCHANGEABILITY REQUIRE PRIOR TYCO APPROVAL AND AUTHORIZATION BY REVISION TO THIS DRAWING.



RECOMMENDED FOOTPRINT

6	1926251-1
DESCRIPTION	PART NUMBER

THIS DRAWING IS A CONTROLLED DOCUMENT FOR TYCO ELECTRONICS CORPORATION IT IS SUBJECT TO CHANGE AND THE CONTROLLING ENGINEERING ORGANIZATION SHOULD BE CONTACTED FOR THE LATEST REVISION.		DWN G.PETERS 19OCT2006	Tyco Electronics Harrisburg, PA 17105-3608	NAME	
DIMENSIONS: mm [INCHES]		CHK D.ORRIS 19OCT2006		TOP ASSEMBLY	
TOLERANCES UNLESS OTHERWISE SPECIFIED:		APVD S.FLICKINGER 19OCT2006		ICCON, PARALLEL PIN, NON-LOCKING	
0 PLC ±- 1 PLC ±0.5 2 PLC ±0.13 3 PLC ±0.013 4 PLC ±0.0001 ANGLES ±.5		PRODUCT SPEC -		-	
MATERIAL -		FINISH -	APPLICATION SPEC -	SIZE A3	CAGE CODE 00779
			WEIGHT -	DRAWING NO C-1926251	RESTRICTED TO -
			CUSTOMER DRAWING	SCALE	SHEET OF REV A