



# 1717-1827.5 MHz Cavity Bandpass Filter

**ANATECH ELECTRONICS INC**  
RF & Microwave Filters & Products

**Part Number: AB1772B1033**



## Electrical specifications

**Passband:** 1717-1827.5 MHz  
**Insertion loss:**  $\leq 1.0$  dB  
**Return loss:**  $> 18$  dB  
**Rejection:** 43 dB@1855-1940 MHz  
**Impedance:** 50 Ohms In/Out  
**Average power handling:** 40 Watts  
**Peak power Handling:** 1.4 KW  
**IMD3@1615 MHz:**  $\leq 100$  dBm@2x43 dBm  
**IMD5@1505 MHz:**  $\leq 110$  dBm@2x43 dBm

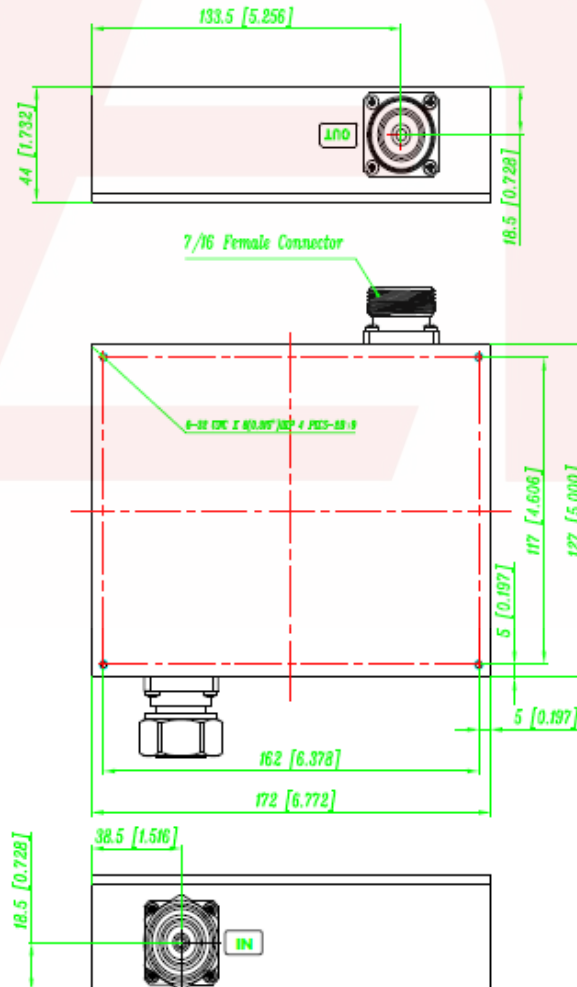
## Mechanical

**Mounting Method:** Threaded Mounting Holes  
**Connector Type:** 7/16 (F)  
**Dimensions:** 5.51 x 2.48 x 1.65 inches

## Environmental

**Operating Temperature:** -45 to +85° C  
**Storage Temperature:** -55 to +95° C  
**Shock:** 20 G. 11ms  
**Vibration:** 20 G. 5 to 200 Hz

## Outline Drawing:



DS-B1033-03152018-Rev0