

1 2 3 4 5 6

A

B

C

D

62,5

120

138,2

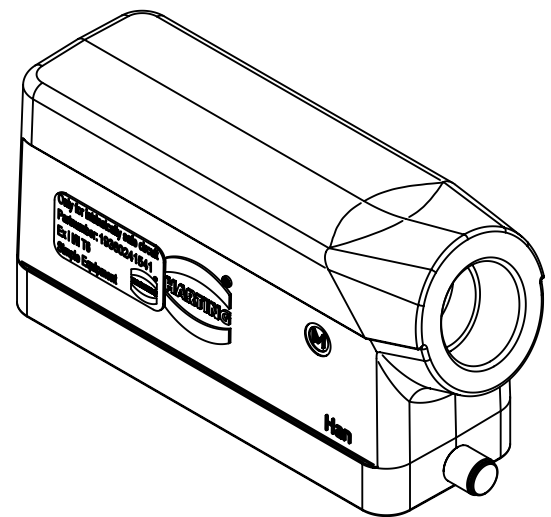
M25x1,5

43

Only for intrinsically safe circuit
 Partnumber: 19360241541
 Ex i III T6
 Simple Equipment



Han



| | | | | | | |
|-----------------------------------------------------|----------------------------------------------|--|--------------------------------------------------------|--------------------------|-----------------------------|----------------------------------------------------------|
| | All Dimensions in mm Original Size DIN A4 | | Scale 1:1 | Free size tol. | | Ref. |
| | | | | | | Sub. |
| | All rights reserved | | Created by LONGL | Inspected by WENE | Standardisation TIEMANNA | Date 2016-03-24 |
| | Department EL PD - CN | | Title Han B Side Entry LC M25 Ex i for single lever | | | State Final Release |
| HARTING Electric GmbH & Co. KG D-32339 Espelkamp | | | Type TB | Number 19 36 024 1541 | | Doc-Key / ECM-Nr. 100600076/UGD/003/A 500000102240 |
| | | | | | Rev. A | Page 1/1 |