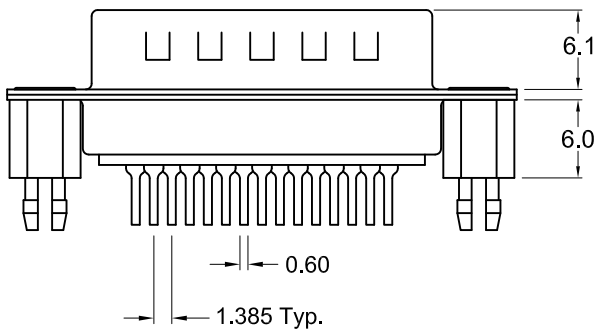
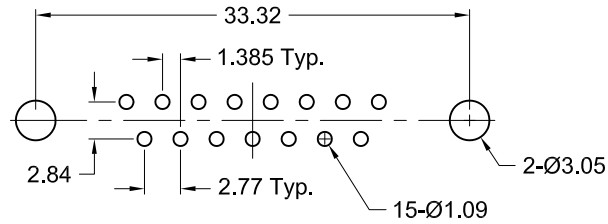
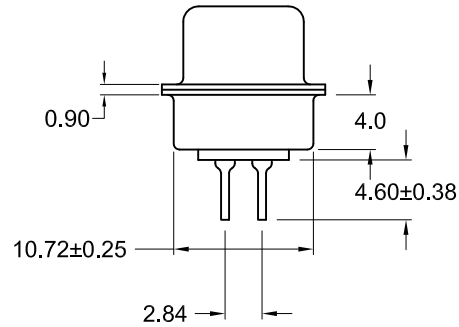


Recommended PCB Layout



Boardlock not shown in this view



Material And Finish

Shell: steel, Nickel Plated
 Insert: PBT Thermoplastic, Black Color, 30% Glass Filled, UL 94V-0 Rated

Contact Material:
 Plug - brass

Contact Plating:

Standard:
 Gold flash on mating end, tin on termination end, with entire contact nickel underplated

-15 Option:
 15u" gold on mating end, tin on termination end, with entire contact nickel underplated

-30 Option:
 30u" gold on mating end, tin on termination end, with entire contact nickel underplated

Electrical Specifications

Rated Current: 2A
 Rated Voltage: 30V RMS
 Dielectric Withstanding Voltage: 1000V (rms) AC for 1 minute
 Insulation Resistance: more than 1000 Megohm at 500V DC
 Contact Resistance: 13 milliohm max.
 Operating Temperature -55°C to +105°C

Ordering Information

Part Number	Contact Area Plating Finish
K85X-AD-15P-BR	Gold Flash (standard)
K85X-AD-15P-BR15	15u" Gold (15 option)
K85X-AD-15P-BR30	30u" Gold (30 option)



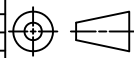
Tolerances
X.X ± 0.25
X.XX ± 0.15
Unless Stated Otherwise

REV.	DATE	DESCRIPTION	REV. BY	CHK. BY	DRAWN BY	DATE
A1	3/9/06	New Drawing	R. Aguirre	H. MA	R. Aguirre	10/12/05
A2	1/9/08	ECO #07-052	WILL H.	H. MA		
A3	12/31/17	ECO #17-030	J. Elbanna	C. Furumasu		

K85X-AD-15P-BR

Vertical PCB Mount D-Sub, RoHS Compliant

15 Pin Male, w/ Boardlocks



UNITS
mm