

MATERIALS AND FINISHES

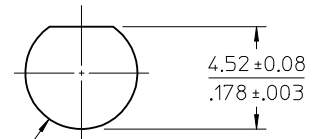
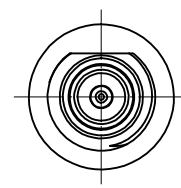
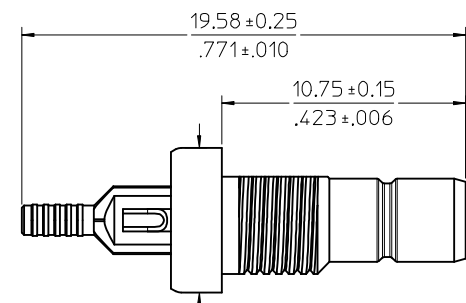
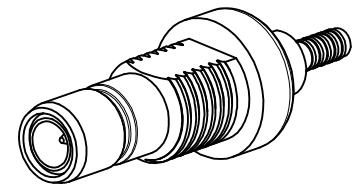
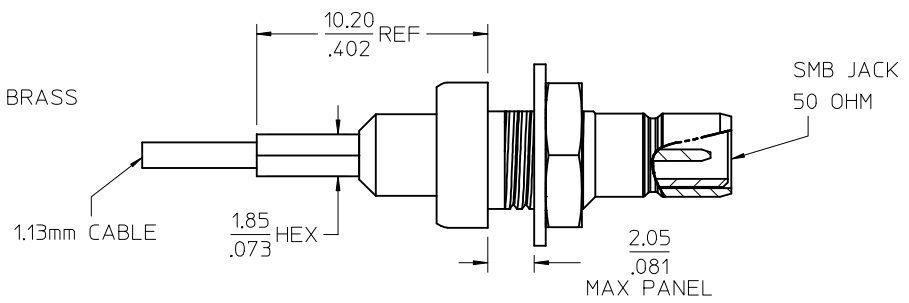
BODY, CRIMP TUBE, REAR BODY: BRASS  
PLATED NICKEL

CENTER CONTACT: BRASS  
PLATED GOLD

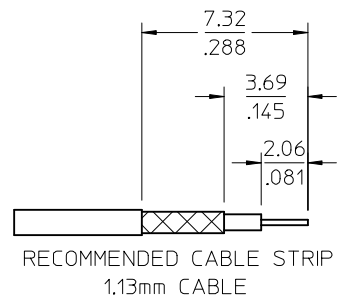
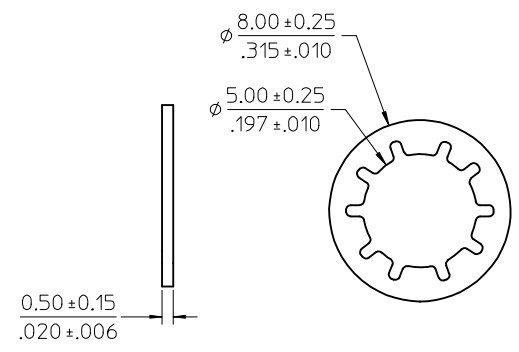
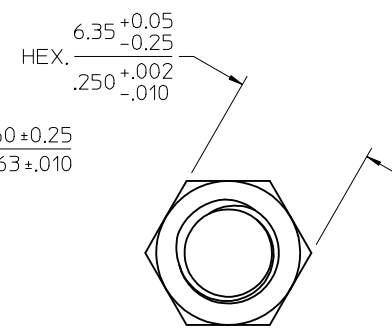
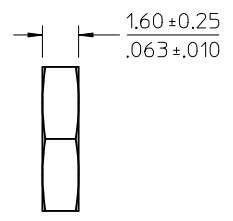
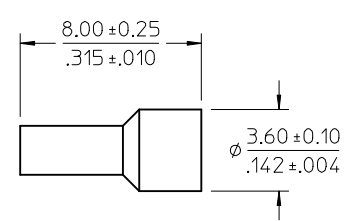
INSULATOR: TEFLON

WASHER: PHOSPHOR BRONZE  
PLATED NICKEL

NUT: BRASS  
PLATED NICKEL



RECOMMENDED MOUNTING HOLE



RECOMMENDED CABLE STRIP  
1.13mm CABLE

73403-6230
PART NO.

PS-89675-3540	PRODUCT SPEC.
MIL-STD-348A, FIG.311-1	INTERFACE
SPECIFICATION	DESCRIPTION

CHG: UPDATE VIEW ADD CABLE STRIP PS WAS PS-73599-0099 INTERFACE REF WAS FIG 407.1 EC NO: URF2014-0069 DRWN:WIENER 2013/07/31 CHKD:SSS 2013/08/01 APPR:WIENER 2013/08/01	DESCRIPTION
	REV
	C1
	REV

QUALITY SYMBOLS	GENERAL TOLERANCES (UNLESS SPECIFIED)
▽=0 ▽=0	mm INCH 4 PLACES ± --- ± --- 3 PLACES ± --- ± --- 2 PLACES ± --- ± --- 1 PLACE ± --- ± --- ANGULAR ± 2 °
	DRAFT WHERE APPLICABLE MUST REMAIN WITHIN DIMENSIONS

DIMENSION STYLE	
MM/IN	
DRAWN BY	DATE
EL IN	2011/10/06
CHECKED BY	DATE
APPROVED BY	DATE
MHUANG	2011/10/25
MATERIAL NO.	DOCUMENT NO.
734046230	SD-73404-623
SIZE	SHEET NO.
C	1 OF 1

SCALE	DESIGN UNITS	THIRD ANGLE PROJECTION
	METRIC	
TITLE		
SMB 50 OHM JACK BULKHEAD FOR 1.13 CABLE SMB-J/CA		
MOLEX INCORPORATED		
THIS DRAWING CONTAINS INFORMATION THAT IS PROPRIETARY TO MOLEX INCORPORATED AND SHOULD NOT BE USED WITHOUT WRITTEN PERMISSION		