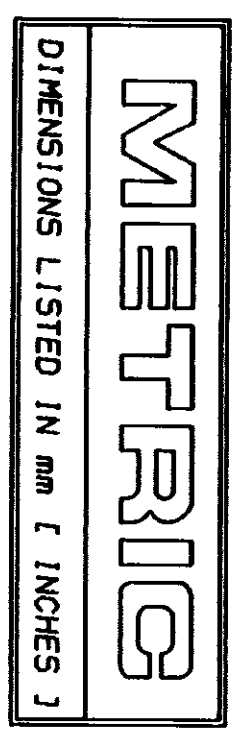
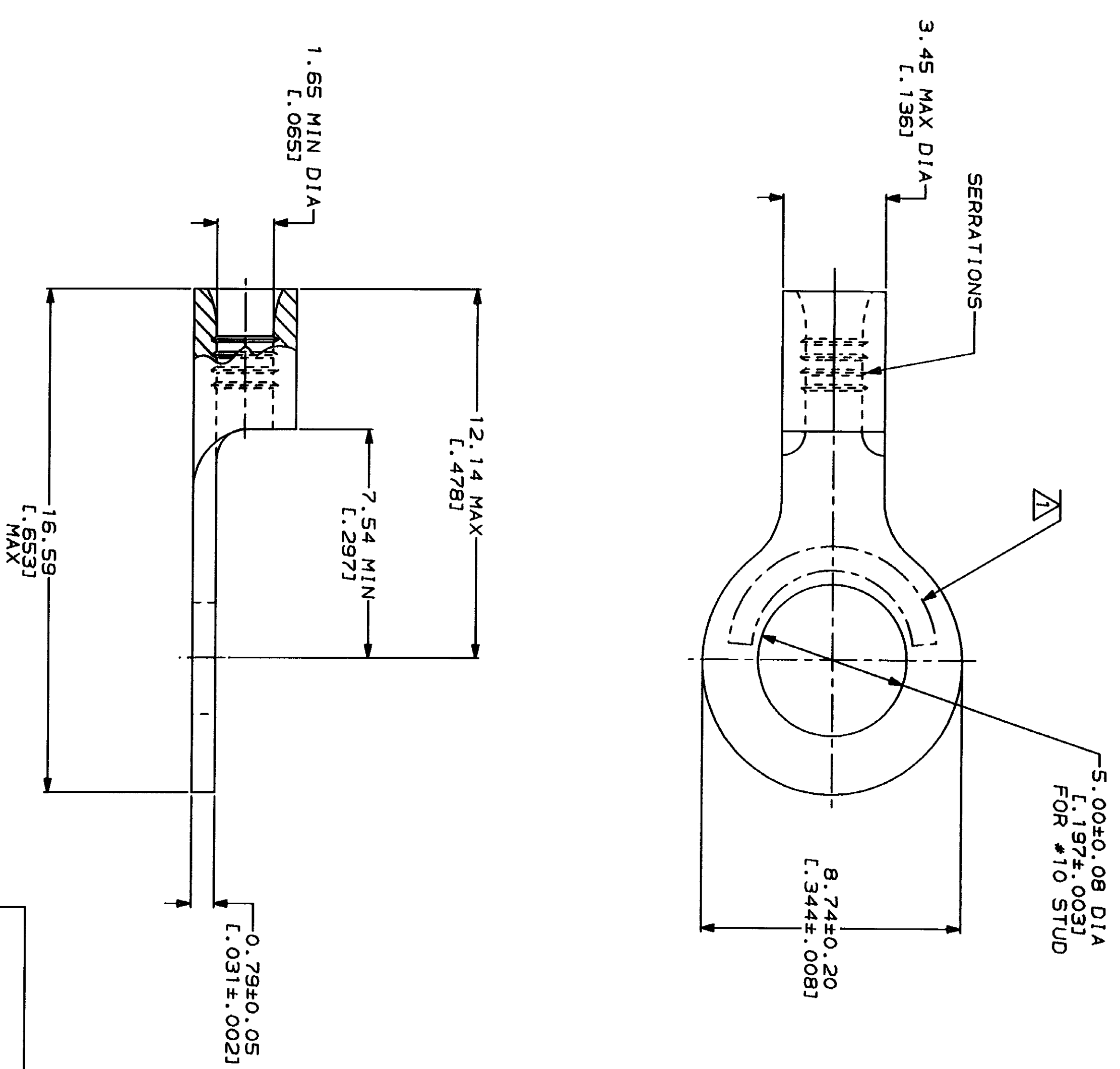


LOC	DATE	REVISIONS	DATE	APP'D
G	14	REVISED PER 0720-0230-93	2/25/94	AMP



AMP WIRE RANGE	IL E13288 Listed
22-16 AWG STRANDED	22-16 AWG STRANDED
● LR7189 Certified	MILITARY P/N AND CLASS
NOT CERTIFIED	NOT APPLICABLE

⚠ STAMP AMP 22-18* APPROX AS SHOWN
 22-16 TERMINALS ARE STAMPED 22-18 IN
 ACCORDANCE WITH MILITARY SPECIFICATION
 MIL-T-7928, COMMERCIAL WIRE RANGE IS 22-16



AMP INCORPORATED
 CUSTOMER SERVICE SYSTEMS

FOR ADDITIONAL PRODUCT INFORMATION OR COPIES OF DRAWINGS AND TECHNICAL DOCUMENTS	PRODUCT INFORMATION CENTER 1-800-522-6752	VOLTAGE RATING: NOT APPLICABLE	DO NOT SCALE PRINT. UNLESS SPECIFIED DIMENSIONS IN INCHES TOLERANCES ON: 2 PLG DEC ± .005 3 PLG DEC ± .005 ANGLES	DR 2-3-93 TA BRINKMAN	NAME
FOR APPLICATION TOOLING INFORMATION	TOOLING ASSISTANCE CENTER 1-800-722-1111	WIRE CROSS SECTIONAL AREA RANGE: 0.26-1.65mm ² [509-3,260] CIR MILS STRANDED	MATERIAL COPPER PER ASTM B-152 ANNEALED	CHK 2-3-93 DA PATTERSON	AMP AMP Incorporated Horshburg, PA 17105-3608
FOR ORDER ENTRY	1-800-526-5142		FINISH TIN PLATE 0.00254 [L.000100] MIN THK PER MIL-T-10727	APPD 2-3-93 DE MILLER	TERMINAL, RING TONGUE, BUDGET
			APPLICATION SPEC	APPD 2-3-93 JL HECKLEY	SIZE CAGE CODE DRAWING NO 00779 32824
			WEIGHT		SCALE 8:1