

**Ratings**

Voltage: 300 V  
 Temperature: -40~105 °C  
 Flammability: VW-1

**Conductor**

Conductor count: 3  
 Gauge: 24 AWG 0.2 mm<sup>2</sup>  
 Material: tinned copper strands  
 Strand size:  $\varnothing 0.1 \times 26$   
 Resistance at 20 °C: 94.2  $\Omega$  /km max

**Insulator**

Material: FEP  
 Color: red, black, white  
 Diameter:  $\varnothing 0.92 \pm 0.10$   
 Nominal thickness: 0.13 mm  
 Resistance at 20 °C: 10 M $\Omega$  /km min

**Filler**

Material: aramid fiber

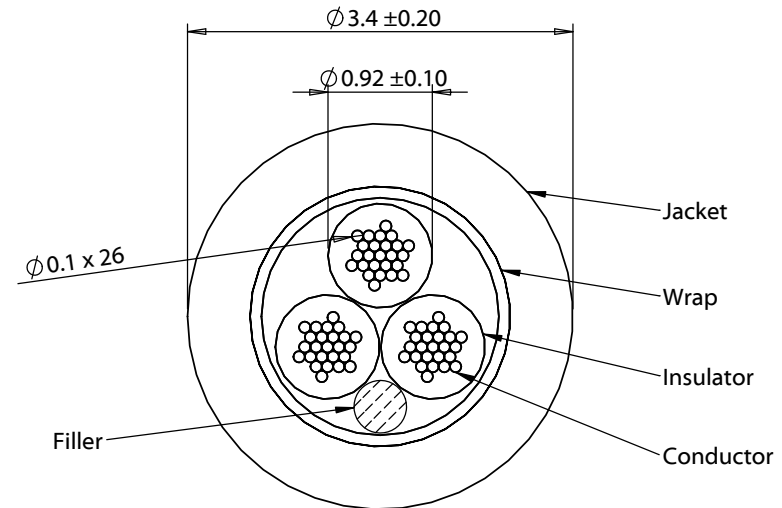
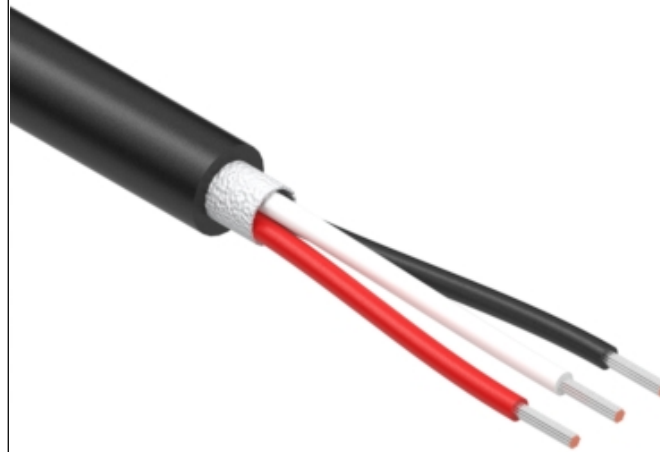
**Wrap**

Material: cotton paper

**Outer jacket**

Material: TPE  
 Color: black  
 Diameter:  $\varnothing 3.4 \pm 0.20$   
 Nominal thickness: 0.6 mm

**Wire marking:** E339579 UL AWM STYLE 21296 24 AWG 105°C  
 300V VW-1 --- cUL AWM I A 105°C 300V FT1 TENSILITY DGT



Revision:	Date:	Description:	Prepared: AW <small>Digitally signed by AW Date: 2021.04.28 16:32:19 -07'00'</small>	Notes:	<b>TENSILITY</b> tel 1.541.323.3228 800 877.670.7118 fax 1.541.323.4202 web tensility.com
A	4/28/2021	Initial release	Verified: JC <small>Digitally signed by JC Date: 2021.05.04 15:49:42 -07'00'</small>	RoHS compliant Phthalate free Function test: no open, no short circuit, no intermittent	
			Dimensions are in millimeters. Tolerances: X: $\pm 0.5$ mm X.X: $\pm 0.3$ mm X.XX: $\pm 0.05$ mm	Description: Wire, 3C TS, 24 AWG, UL 21296, 300V, 105C, 3.4 mm, TPE	Size: A Part number: 30-01911
					Scale: 15:1  Sheet 1 of 1

5

4

3

2

1