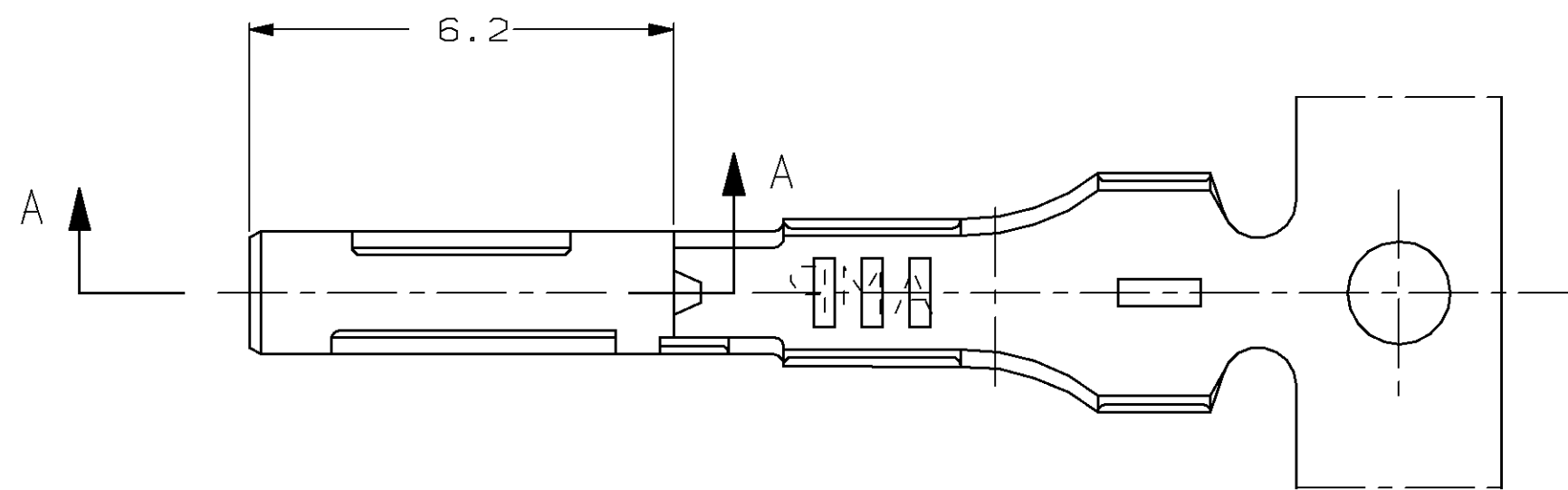
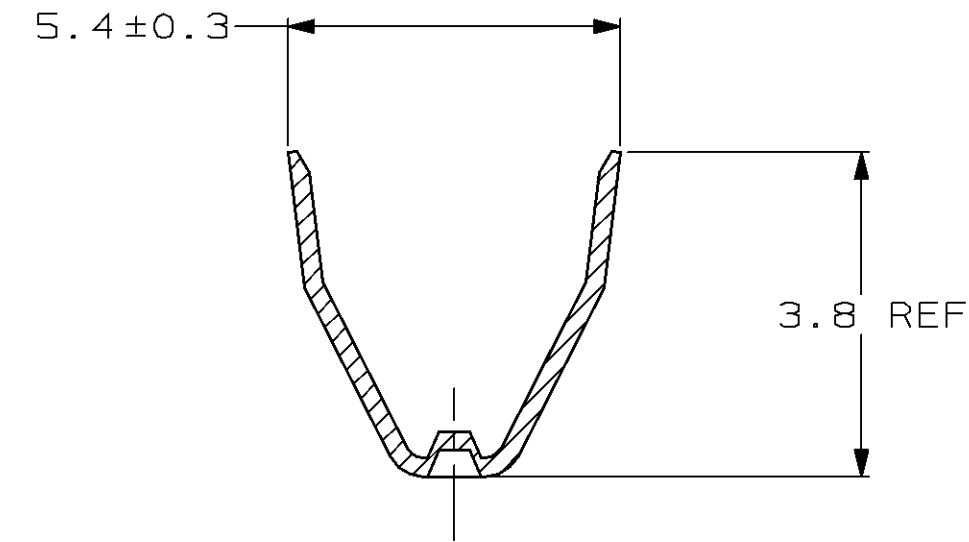
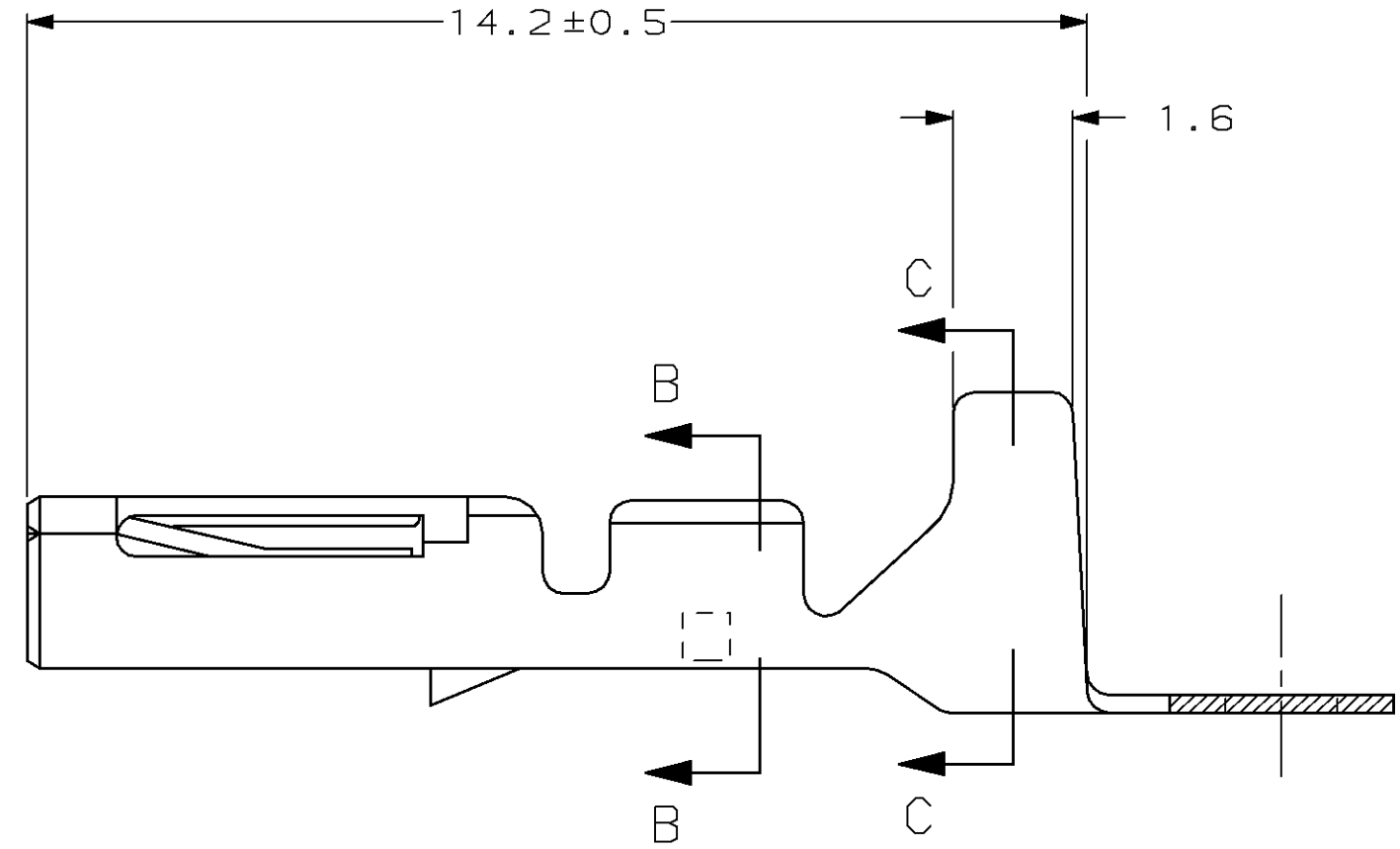
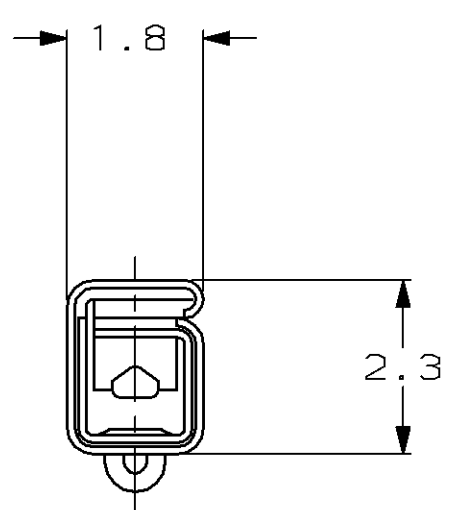


THIS DRAWING IS UNPUBLISHED. RELEASED FOR PUBLICATION
 © COPYRIGHT 19 BY AMP INCORPORATED. ALL RIGHTS RESERVED.

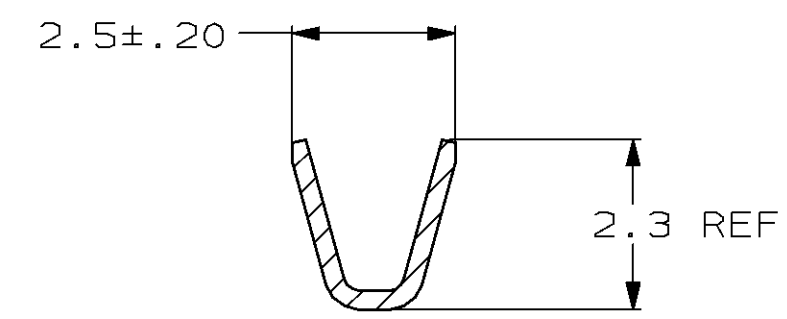
Loc		DIST		REVISIONS			
P	LTR	DESCRIPTION		DATE	DWN	APVD	
FX	55	B		EC OK80-0008-97	2-18-97	PY	SK



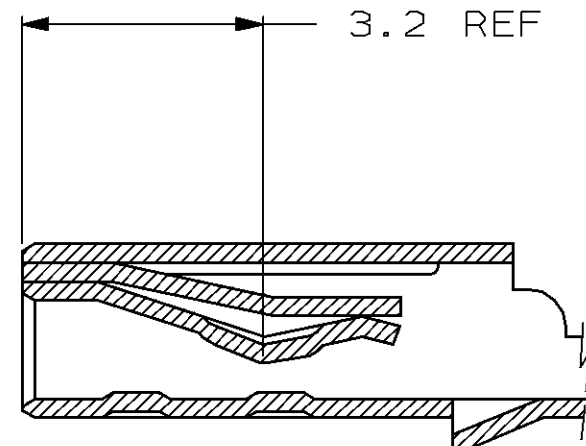
1. WIRE RANGE: 18 AWG, THIN WALL INSULATION



SECTION C-C



SECTION B-B



SECTION A-A

776181

776181-1
PART NUMBER

THIS DRAWING IS A CONTROLLED DOCUMENT.		DWN P. YEAGER	12-18-96	AMP AMP Incorporated Harrisburg, PA 17105-3608
		CHK S. KROEGER	12-18-96	
		APVD S. KROEGER	12-18-96	NAME
DIMENSIONS: mm		TOLERANCES UNLESS OTHERWISE SPECIFIED:		PRODUCT SPEC
		0 PLC	±-	APPLICATION SPEC
		1 PLC	±-	
		2 PLC	±0.15	
		3 PLC	±-	
MATERIAL PHOS BRZ		FINISH PRE-TIN		WEIGHT
				SIZE A2
				CAGE CODE 00779
				DRAWING NO C=776181
				RESTRICTED TO
				SCALE 10:1
				SHEET 1 OF 1
				REV B