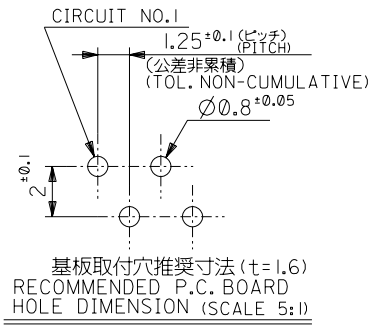
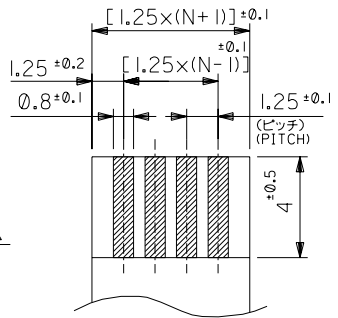
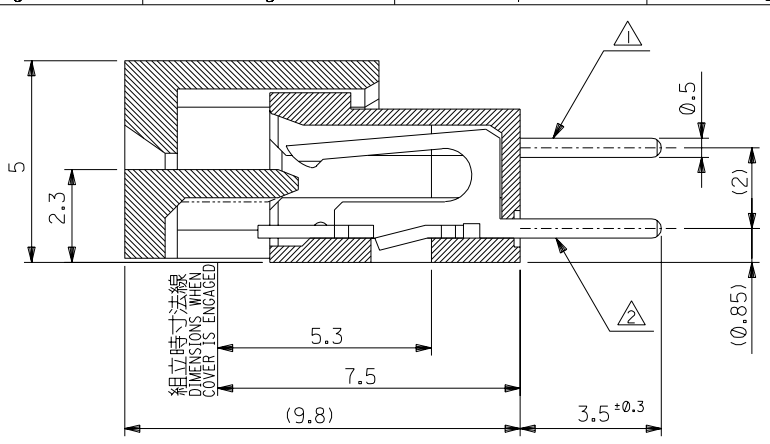
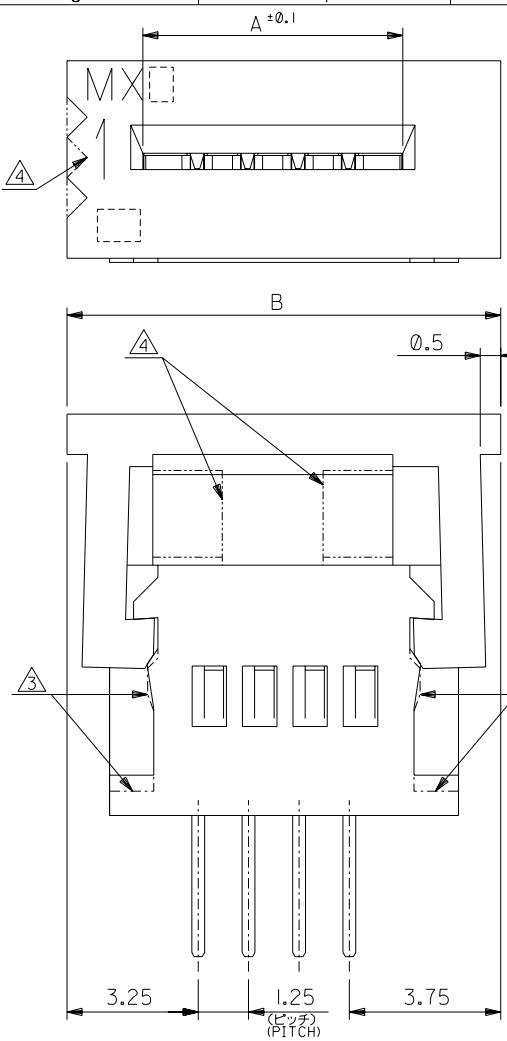


DO NOT SCALE DRAWING

DWG. NO. SD-5597-005



適合 FPC/FCC 推奨寸法
RECOMMENDED FPC/FCC
厚さ THK : 0.3 ±0.05 (SCALE 5:1)

注記 NOTES

- ① MX J側を基準に奇数番目の極におけるソルダータール。
SOLDER TAIL OF ODD CKTS, MXJ MARK AS BASIC.
- ② MX J側を基準に偶数番目の極におけるソルダータール。
SOLDER TAIL OF EVEN CKTS, MXJ MARK AS BASIC.
- ③ 3極~10極に適用。APPLY FOR 3-10 CKTS.
- ④ 3極~19極に適用。APPLY FOR 3-19 CKTS.
- 5. () 内寸法は、参考値。
() DIMENSION IS FOR REFERENCE.

6. ソルダータールは、先端が取付推奨穴にガイドされること。
ガイドされること。
SOLDER TAILS MAY BE CHECKED BY INSERTION
FOR RECOMMENDED PCB BOARD HOLES.

48.25	43.95	39-51-3344	5597-34CPB	34
47	42.7	-3334	-33CPB	33
45.75	41.45	-3324	-32CPB	32
44.5	40.2	-3314	-31CPB	31
43.25	38.95	-3304	-30CPB	30
42	37.7	-3294	-29CPB	29
40.75	36.45	-3284	-28CPB	28
39.5	35.2	-3274	-27CPB	27
38.25	33.95	-3264	-26CPB	26
37	32.7	-3254	-25CPB	25
35.75	31.45	-3244	-24CPB	24
34.5	30.2	-3234	-23CPB	23
33.25	28.95	-3224	-22CPB	22
32	27.7	-3214	-21CPB	21
30.75	26.45	-3204	-20CPB	20
29.5	25.2	-3194	-19CPB	19
28.25	23.95	-3184	-18CPB	18
27	22.7	-3174	-17CPB	17
25.75	21.45	-3164	-16CPB	16
24.5	20.2	-3154	-15CPB	15
23.25	18.95	-3144	-14CPB	14
22	17.7	-3134	-13CPB	13
20.75	16.45	-3124	-12CPB	12
19.5	15.2	-3114	-11CPB	11
18.25	13.95	-3104	-10CPB	10
17	12.7	-3094	-09CPB	9
15.75	11.45	-3084	-08CPB	8
14.5	10.2	-3074	-07CPB	7
13.25	8.95	-3064	-06CPB	6
12	7.7	-3054	-05CPB	5
10.75	6.45	-3044	-04CPB	4
9.5	5.2	39-51-3034	5597-03CPB	3
B	A	ENG. NO.	ENG. NO.	極数

②64NO. DRWN: CHK: APPR:	②63NO. DRWN: CHK: APPR:	②62NO. DRWN: CHK: APPR:	②61NO. DRWN: CHK: APPR:
----------------------------------	----------------------------------	----------------------------------	----------------------------------

再作図及び変更
REDRAWN & REVISED
②60NO. J2003-2624
DRWN: K. TOJO '03/04/17
CHK: H. Sato '03/04/17
APPR: H. Sato '03/04/17

DESCRIPTION
MATERIAL HOUSING, ACTUATOR :
材料 PBTP, UL94V-0
TERMINAL : PHOSPHOR-BRONZE
THK : 0.3±
FINISH TIN-LEAD(9:1)3~5MICRON
仕上げMETER OVER COPPER
1~2.5 MICRON METER PLATING.
WIRE RANGE
適用配線範囲
INS. RANGE
被覆外径

GENERAL TOLERANCES: (UNLESS SPECIFIED) 一般公差	SCALE	DESIGN UNITS
10 UNDER 未満	1:1	mm <input checked="" type="checkbox"/> INCH <input type="checkbox"/>
10 OVER 30 UNDER 以上 未満	±0.2	
30 OVER 以上	±0.25	
	±0.3	
ANGLE 角度	±3°	

DRAWN BY & DATE
K. TOJO '03/04/15
CHECKED BY & DATE
H. Sato '03/04/17
APPROVED BY & DATE
H. Sato '03/04/17
CAD FILENAME
SD-5597-005.S01

TITLE:
1.25 FPC Conn Assy ZIF
MOLEX MOLEX INCORPORATED
MATERIAL NO. 39-51-3**3
DRAWING NO. SD-5597-005
SHEET NO. 1 OF 1
DIMENSIONS:
mm INCH mm ONLY
SHT REV
22WISE ON CAD ONLY

THIS DRAWING CONTAINS INFORMATION THAT IS PROPRIETARY TO MOLEX INCORPORATED AND SHOULD NOT BE USED WITHOUT WRITTEN PERMISSION. SIZE B

SD-5597-005.S01