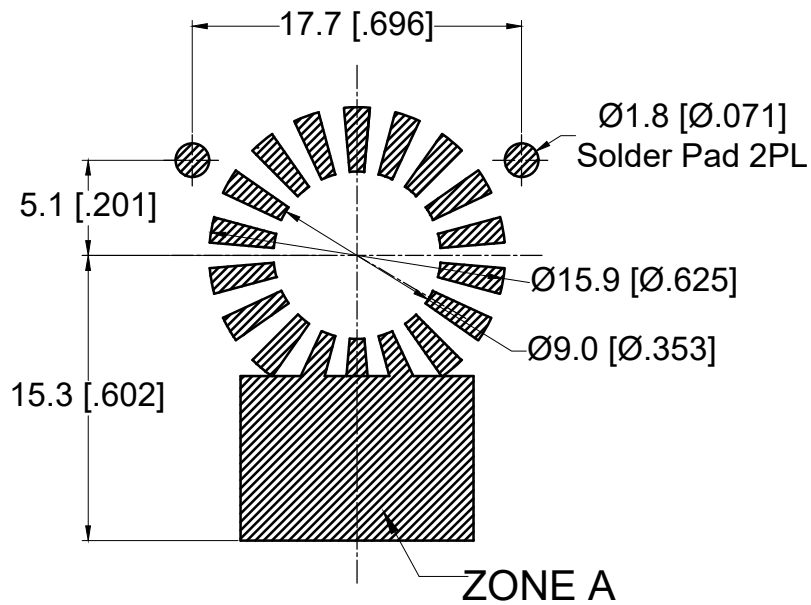
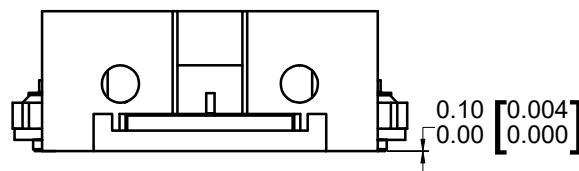
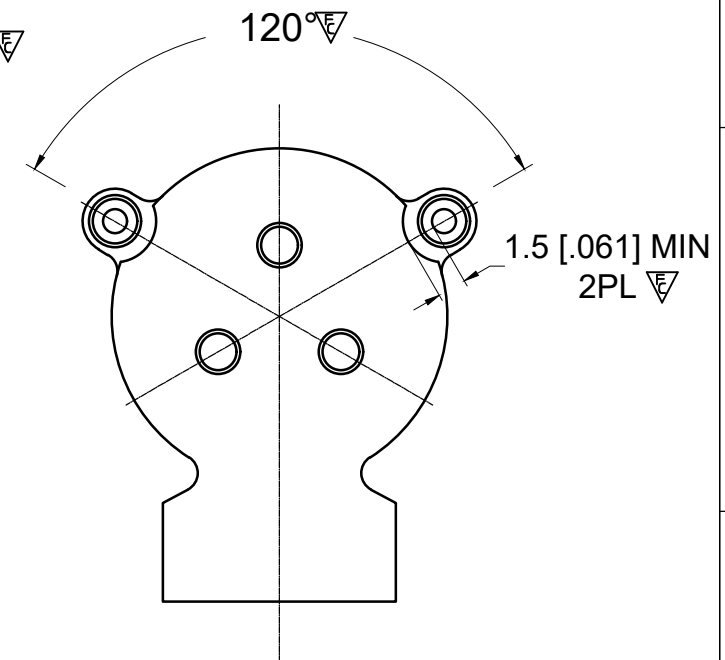
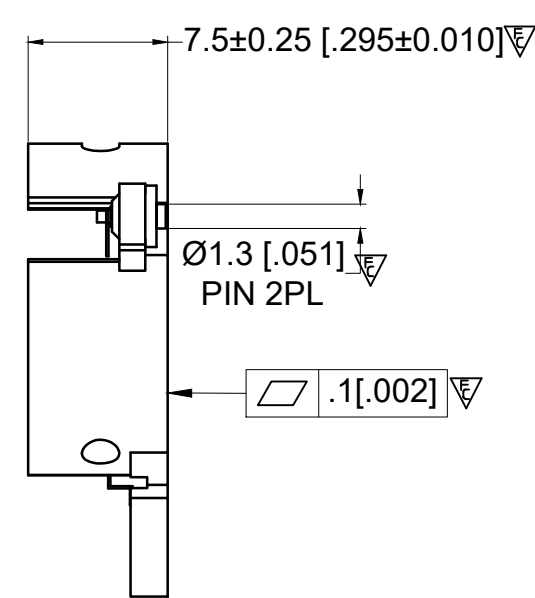
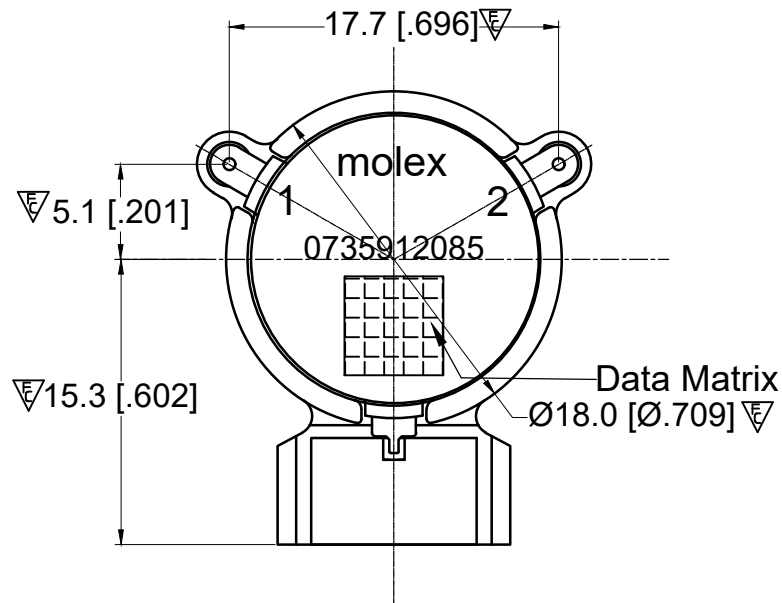


RECOMMENDED LAND PATTERN :

Zone A must be attached to heat sink. Thermal conductivity of intermediate layers between Zone A and heat sink must be better than 0.1 W / [°C x mm].



PCB MATERIAL:ROGERS 4350B 20MIL



ELECTRICAL SPECIFICATION :

Frequency Range	: 1805 to 1880 MHz
Isolation (In Band)	: 28 dB Min
Insertion Loss	: 0.18 dB Max
FWD Power	: 150W (CW)
Peak Power	: 1000 W
REV Power	: 60 W
Return Loss	: 25 dB Min
IMD (2 x 65 W, 1 MHz space)	: -70 dBc Max
2nd Harmonics	: 10 dBc
3rd Harmonics	: 5 dBc
Operating Temperature	: -40°C to +120°C
+120°C to +130°C	: power capacity and reliability no change , other spec.reduce 10%
Storage Temperature	: -40°C to +130°C
Direction	: CW

BODY: CARBON STEEL, SILVER PLATED

RIGID PINS: COPPER, SILVER PLATED

NOTES:

1. STANDARD INPUT/OUTPUT IMPEDANCE 50 OHM
2. LEAD FREE, NO ND MATERIAL, BEO FREE
3. THE DIMENSION OF THE DATA MATRIX IS 5.3MM*5.3MM, INFORMATION INCLUDED WORK ORDER NUMBER-SERIAL NUMBER-MATERIAL NUMBER
4. THIS PART COMPLIES WITH ALL ROHS REQUIREMENTS.

ENG PART#: 801-180-188-WC140

FUNCTIONAL SYMBOLS	THIS DRAWING CONTAINS INFORMATION THAT IS PROPRIETARY TO MOLEX ELECTRONIC TECHNOLOGIES, LLC AND SHOULD NOT BE USED WITHOUT WRITTEN PERMISSION		CURRENT REV DESC:		molex
	DIMENSION UNITS	SCALE	RELEASE TO PROD		
▽=0	MM	1:1			SMSJ ISOLATOR/1805~1880MHZ/CW
▽=0	GENERAL TOLERANCES (UNLESS SPECIFIED)				
▽=0		mm	INCH	EC NO: 696580	RESTRICTED PRODUCT CUSTOMER DRAWING
	4 PLACES	±0.005	±----	DRWN: SREN05 2022/02/21	
	3 PLACES	±0.025	±----	CHK'D: JLI252 2022/02/23	DOCUMENT NUMBER
	2 PLACES	±0.13	±----	APPR: HWANG186 2022/03/01	
DIVISIONAL SYMBOLS	1 PLACE	±0.25	±----	INITIAL REVISION:	735912085
	0 PLACES	±0.4	±----	DRWN: SREN05 2021/12/08	
	ANGULAR TOL ± 1.5 °		APPR: HWANG186 2022/03/01		PSD 000 A
	DRAFT WHERE APPLICABLE MUST REMAIN WITHIN DIMENSIONS		THIRD ANGLE PROJECTION	DRAWING	SERIES
				A3-SIZE	73591
				MATERIAL NUMBER	CUSTOMER
				0735912085	CUSTOM PART
					SHEET NUMBER
					1 OF 1

DOCUMENT STATUS	P1	RELEASE DATE	2022/03/01	06:07:29
-----------------	----	--------------	------------	----------