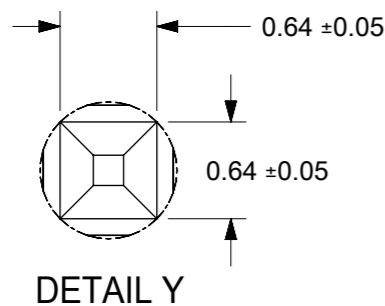
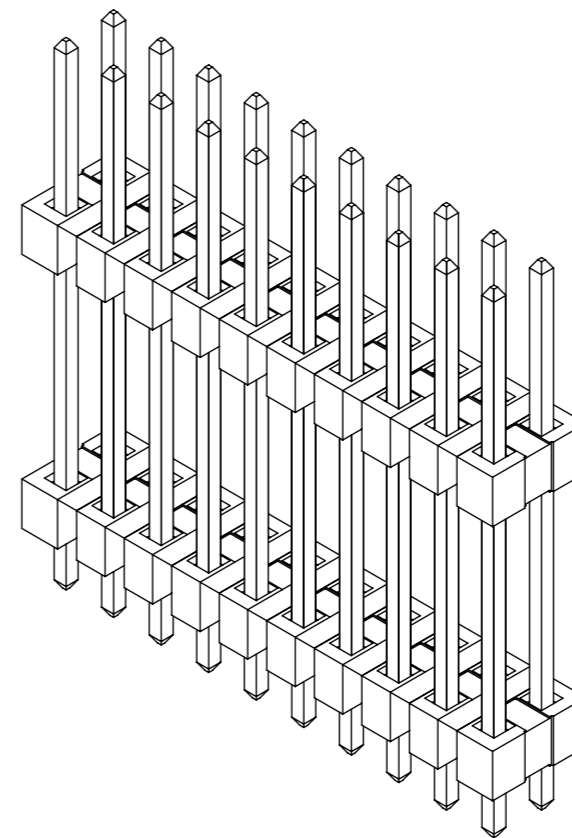
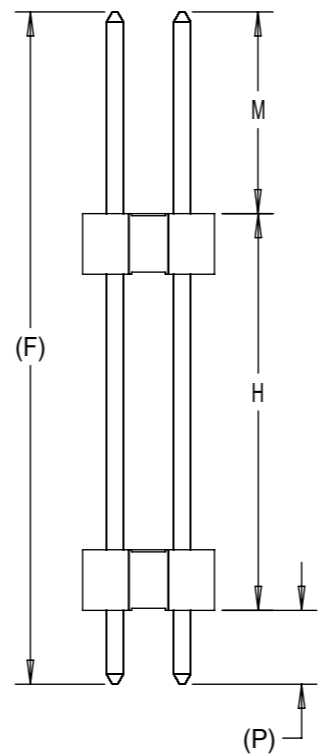
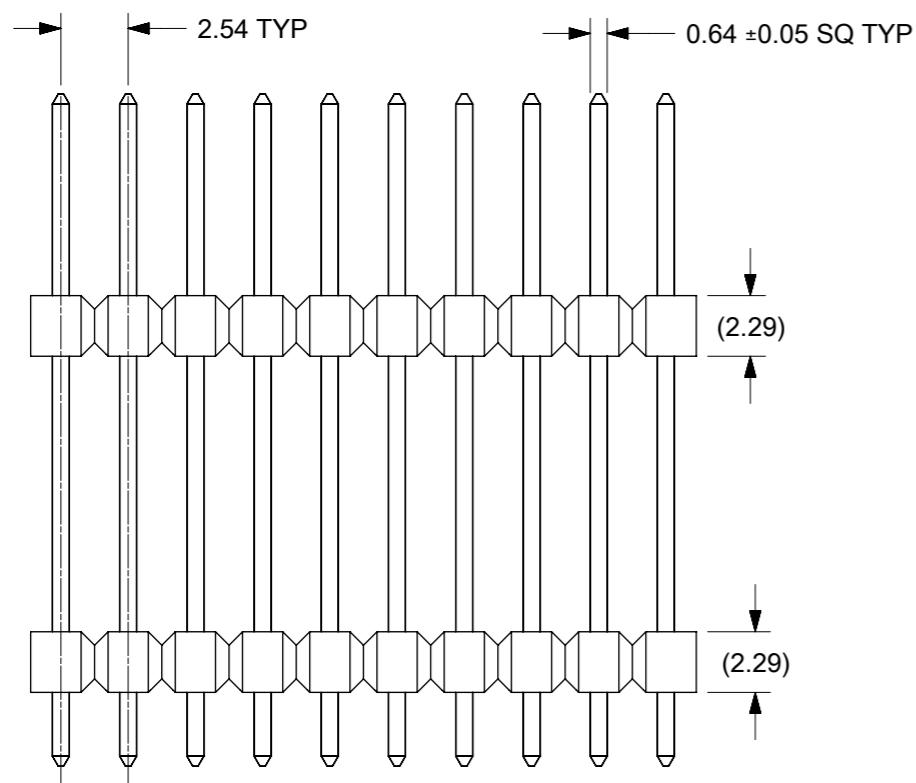


RECOMMENDED PCB LAYOUT: COMPONENT SIDE

- NOTES:
- MATERIAL:  
HOUSING: LCP, GLASS FILLED, UL94V-0  
COLOR: BLACK  
PIN: COPPER ALLOY, SQ, 0.64MM
  - PLATING FINISH:
    - GOLD FLASH OVERALL OVER  
1.25µm MIN. NICKEL OVERALL
    - 0.05µm MIN. GOLD IN CONTACT AREA AND  
2.50µm MIN. TIN IN SOLDER AREA OVER  
1.25µm MIN. NICKEL OVERALL
    - 0.38µm MIN. GOLD IN CONTACT AREA AND  
2.50µm MIN. TIN IN SOLDER AREA OVER  
1.25µm MIN. NICKEL OVERALL
    - 0.75µm MIN. GOLD IN CONTACT AREA AND  
2.50µm MIN. TIN IN SOLDER AREA OVER  
1.25µm MIN. NICKEL OVERALL
    - 2.50µm MIN. TIN OVERALL  
1.25µm MIN. NICKEL OVERALL
  - FOR PACKING OPTION PLEASE REFER TO THE TABLE.
  - THE ABOVE 20CKTS SHOWN IS FOR ILLUSTRATION ONLY.
  - IRREGULAR CIRCUIT CUTOFF WITHIN BREAKAWAY SECTION IS PERMISSIBLE. CUTTING OR CHIPPING OF THE MAIN BODY IS NOT ACCEPTABLE
  - WAFER TO BE FLAT WITHIN 0.003mm/mm
  - PARTS ARE NOT STACKABLE ON 2.54 CENTERS
  - RECOMMENDED PCB THICKNESS 1.60±0.10mm
  - PRODUCT SPEC: PS-87920-019
  - PACKAGING SPECIFICATION:  
TRAY: PK-89990-489  
BULK: PK-89990-491  
TUBE: PK-89990-300



|   |  |                |  |                        |  |                               |  |        |  |
|---|--|----------------|--|------------------------|--|-------------------------------|--|--------|--|
| THIS DRAWING CONTAINS INFORMATION THAT IS PROPRIETARY TO MOLEX ELECTRONIC TECHNOLOGIES, LLC AND SHOULD NOT BE USED WITHOUT WRITTEN PERMISSION |  |                |  |                        |  |                               |  |        |  |
| DIMENSION UNITS   |  | SCALE          |  | CURRENT REV DESC:      |  |                               |  |        |  |
| mm  |  | NTS            |  |                        |  |                               |  |        |  |
| GENERAL TOLERANCES (UNLESS SPECIFIED)   |  |                |  |                        |  |                               |  |        |  |
|   |  | MM             |  | INCH                   |  |                               |  |        |  |
| 4 PLACES  |  | ±              |  | ±                      |  | EC NO: 690873                 |  |        |  |
| 3 PLACES  |  | ±              |  | ±                      |  | DRWN: DANUSA 2021/12/31       |  |        |  |
| 2 PLACES  |  | ± 0.2          |  | ±                      |  | CHK'D: DANUSA 2022/01/05      |  |        |  |
| 1 PLACE   |  | ±              |  | ±                      |  | APPR: MRAMAKRISHNA 2022/01/05 |  |        |  |
| 0 PLACES  |  | ±              |  | ±                      |  | INITIAL REVISION:             |  |        |  |
| ANGULAR TOL   |  | ± 3.0°         |  | ± 3.0°                 |  | DRWN: SKLIM01 2006/03/01      |  |        |  |
| APPR: PATEY   |  |                |  |                        |  | 2006/03/03                    |  |        |  |
| DRAFT WHERE APPLICABLE MUST REMAIN WITHIN DIMENSIONS  |  |                |  | THIRD ANGLE PROJECTION |  | DRAWING                       |  | SERIES |  |
|   |  |                |  |                        |  | A3-SIZE                       |  | 87797  |  |
| DOCUMENT NUMBER   |  | DOC TYPE       |  | DOC PART               |  | REVISION                      |  |        |  |
| SD-87797-171  |  | PSD            |  | 000                    |  | C16                           |  |        |  |
| MATERIAL NUMBER   |  | CUSTOMER       |  | SHEET NUMBER           |  |                               |  |        |  |
| SEE TABLE   |  | GENERAL MARKET |  | 1 OF 3                 |  |                               |  |        |  |

| CKT SIZE | DIMENSION |       | PART NO FOR TUBE PACKAGING | PART NO FOR TRAY PACKAGING | PART NO FOR BULK PACKAGING | CKT SIZE | PEG OPTION | VOID POSITION | PLATING TYPE | DIMENSION |            |                |             |
|----------|-----------|-------|----------------------------|----------------------------|----------------------------|----------|------------|---------------|--------------|-----------|------------|----------------|-------------|
|          | A         | B     |                            |                            |                            |          |            |               |              | F         | MATING END | STACKER HEIGHT | SOLDER TAIL |
| 04       | 5.08      | 2.54  | -                          | 87797-0401                 | -                          | 4        | NO         | -             | 5            | 18.56     | 3.78       | 11.00          | 3.78        |
| 06       | 7.62      | 5.08  | -                          | 87797-0402                 | -                          | 4        | NO         | -             | 5            | 18.56     | 3.78       | 11.00          | 3.78        |
| 08       | 10.16     | 7.62  | -                          | 87797-0600                 | -                          | 6        | NO         | -             | 4            | 26.80     | 4.00       | 20.00          | 2.80        |
| 10       | 12.70     | 10.16 | -                          | 87797-0601                 | -                          | 6        | NO         | -             | 5            | 11.00     | 3.00       | 5.00           | 3.00        |
| 12       | 15.24     | 12.70 | -                          | 87797-0602                 | -                          | 6        | NO         | -             | 4            | 33.60     | 5.00       | 25.60          | 3.00        |
| 14       | 17.78     | 15.24 | -                          | 87797-0603                 | -                          | 6        | NO         | -             | 5            | 33.60     | 5.00       | 25.60          | 3.00        |
| 16       | 20.32     | 17.78 | -                          | 87797-0604                 | -                          | 6        | NO         | -             | 4            | 35.70     | 7.90       | 25.00          | 2.80        |
| 18       | 22.86     | 20.32 | -                          | 87797-0605                 | -                          | 6        | NO         | -             | 2            | 22.50     | 6.00       | 13.00          | 3.50        |
| 20       | 25.40     | 22.86 | -                          | 87797-0607                 | -                          | 6        | NO         | -             | 3            | 27.80     | 10.70      | 13.80          | 3.30        |
| 22       | 27.94     | 25.40 | -                          | 87797-0608                 | -                          | 6        | NO         | -             | 2            | 27.80     | 10.70      | 13.80          | 3.30        |
| 24       | 30.48     | 27.94 | 87797-0610                 | -                          | -                          | 6        | NO         | -             | 5            | 41.00     | 20.00      | 14.00          | 7.00        |
| 26       | 33.02     | 30.48 | -                          | 87797-0611                 | -                          | 6        | NO         | -             | 5            | 45.00     | 5.25       | 34.50          | 5.25        |
| 28       | 35.56     | 33.02 | -                          | 87797-0800                 | -                          | 8        | NO         | -             | 5            | 18.54     | 3.05       | 12.70          | 2.79        |
| 30       | 38.10     | 35.56 | -                          | -                          | 87797-0801                 | 8        | NO         | -             | 3            | 19.30     | 7.20       | 9.30           | 2.80        |
| 32       | 40.64     | 38.10 | -                          | 87797-0805                 | -                          | 8        | NO         | -             | 5            | 25.31     | 6.61       | 15.65          | 3.05        |
| 34       | 43.18     | 40.64 | -                          | 87797-1001                 | -                          | 10       | NO         | -             | 5            | 32.14     | 10.80      | 19.05          | 2.29        |
| 36       | 45.72     | 43.18 | -                          | 87797-1002                 | -                          | 10       | NO         | -             | 2            | 18.54     | 8.13       | 7.62           | 2.79        |
| 38       | 48.26     | 45.72 | -                          | 87797-1013                 | -                          | 10       | NO         | -             | 5            | 19.50     | 6.80       | 7.50           | 5.20        |
| 40       | 50.80     | 48.26 | -                          | 87797-1015                 | -                          | 10       | NO         | -             | 5            | 18.20     | 6.70       | 7.50           | 4.00        |
| 42       | 53.34     | 50.80 | -                          | 87797-1023                 | -                          | 10       | NO         | -             | 5            | 35.70     | 6.00       | 27.00          | 2.70        |
| 44       | 55.88     | 53.34 | -                          | 87797-1200                 | -                          | 12       | NO         | -             | 4            | 19.30     | 9.04       | 8.00           | 2.26        |
| 46       | 58.42     | 55.88 | -                          | 87797-1206                 | -                          | 12       | NO         | -             | 2            | 16.00     | 5.84       | 7.62           | 2.54        |
| 48       | 60.96     | 58.42 | -                          | 87797-1209                 | -                          | 12       | NO         | -             | 3            | 15.75     | 7.80       | 4.75           | 3.20        |
| 50       | 63.50     | 60.96 | -                          | 87797-1213                 | -                          | 12       | NO         | -             | 5            | 23.00     | 11.70      | 8.00           | 3.30        |
| 52       | 66.04     | 63.50 | -                          | 87797-1217                 | -                          | 12       | NO         | -             | 3            | 23.62     | 8.12       | 12.70          | 2.80        |
| 54       | 68.58     | 66.04 | -                          | 87797-1400                 | -                          | 14       | NO         | -             | 4            | 20.96     | 9.91       | 8.00           | 3.05        |
| 56       | 71.12     | 68.58 | -                          | 87797-1401                 | -                          | 14       | NO         | -             | 5            | 13.00     | 4.00       | 5.00           | 4.00        |
| 58       | 73.66     | 71.12 | -                          | 87797-0032                 | -                          | 14       | NO         | -             | 5            | 40.00     | 3.00       | 34.00          | 3.00        |
| 60       | 76.20     | 73.66 | -                          | 87797-1600                 | -                          | 16       | NO         | -             | 3            | 22.70     | 6.60       | 13.10          | 3.00        |
| 62       | 78.74     | 76.20 | -                          | 87797-1603                 | -                          | 16       | NO         | -             | 5            | 28.00     | 7.00       | 18.00          | 3.00        |
| 64       | 81.28     | 78.74 | -                          | 87797-1800                 | -                          | 18       | NO         | 11 & 12       | 1            | 28.00     | 12.21      | 9.35           | 6.44        |
| 66       | 83.82     | 81.28 | -                          | 87797-0020                 | -                          | 20       | NO         | -             | 5            | 21.30     | 3.10       | 15.10          | 3.10        |
| 68       | 86.36     | 83.82 | -                          | 87797-0200                 | -                          | 20       | NO         | -             | 3            | 36.32     | 5.18       | 25.98          | 5.16        |
| 70       | 88.90     | 86.36 | -                          | 87797-0201                 | -                          | 20       | NO         | -             | 5            | 20.68     | 2.79       | 15.10          | 2.79        |
| 72       | 91.44     | 88.90 | -                          | 87797-2000                 | -                          | 20       | NO         | -             | 4            | 31.00     | 8.50       | 14.00          | 8.50        |
| 74       | 93.98     | 91.44 | -                          | 87797-2002                 | -                          | 20       | NO         | -             | 4            | 33.60     | 5.00       | 25.60          | 3.00        |
| 76       | 96.52     | 93.98 | -                          | 87797-2003                 | -                          | 20       | NO         | -             | 5            | 33.60     | 5.00       | 25.60          | 3.00        |
| 78       | 99.06     | 96.52 | -                          | 87797-2004                 | -                          | 20       | NO         | -             | 4            | 33.40     | 5.00       | 25.60          | 2.80        |
| 80       | 101.60    | 99.06 | -                          | 87797-2010                 | -                          | 20       | NO         | -             | 1            | 28.00     | 12.21      | 9.35           | 6.44        |
|          |           |       | -                          | 87797-2035                 | -                          | 20       | NO         | -             | 5            | 31.37     | 8.00       | 19.94          | 3.43        |
|          |           |       | -                          | 87797-2009                 | -                          | 20       | NO         | -             | 5            | 44.13     | 6.33       | 35.26          | 2.54        |
|          |           |       | 87797-2200                 | -                          | -                          | 22       | NO         | -             | 3            | 21.10     | 7.40       | 10.70          | 3.00        |
|          |           |       | 87797-2400                 | 87797-2401                 | -                          | 24       | NO         | -             | 5            | 14.35     | 3.35       | 7.65           | 3.35        |
|          |           |       | -                          | 87797-2404                 | -                          | 24       | NO         | -             | 5            | 25.31     | 6.61       | 15.65          | 3.05        |

THIS DRAWING CONTAINS INFORMATION THAT IS PROPRIETARY TO MOLEX ELECTRONIC TECHNOLOGIES, LLC AND SHOULD NOT BE USED WITHOUT WRITTEN PERMISSION

|  |     |                        |              |                   |          |        |  |
|--|-----|------------------------|--------------|-------------------|----------|--------|--|
| DIMENSION UNITS                                      |     | SCALE                  |              | CURRENT REV DESC: |          |        |  |
| mm   | NTS |                        |              |                   |          |        |  |
| GENERAL TOLERANCES (UNLESS SPECIFIED)                |     |                        |              |                   |          |        |  |
|  | MM  | INCH                   |              |                   |          |        |  |
| 4 PLACES   | ±   | ±                      |              |                   |          |        |  |
| 3 PLACES   | ±   | ±                      |              |                   |          |        |  |
| 2 PLACES   | ±   | 0.2                    | ±            |                   |          |        |  |
| 1 PLACE  | ±   | ±                      |              |                   |          |        |  |
| 0 PLACES   | ±   | ±                      |              |                   |          |        |  |
| ANGULAR TOL  |     | ± 3.0°                 |              |                   |          |        |  |
| DRAFT WHERE APPLICABLE MUST REMAIN WITHIN DIMENSIONS |     | THIRD ANGLE PROJECTION |              | DRAWING           |          | SERIES |  |
|  |     |                        |              | A3-SIZE           |          | 87797  |  |
| DOCUMENT STATUS                                      |     | P1                     | RELEASE DATE | 2022/01/05        | 07:44:43 |        |  |

**molex**

CUSTOM HEADER  
2.54MM PITCH DUAL ROW HEADER, THRU HOLE, VERT

PRODUCT CUSTOMER DRAWING

EC NO: 690873  
DRWN: DANUSA 2021/12/31  
CHK'D: DANUSA 2022/01/05  
APPR: MRAMAKRISHNA 2022/01/05

INITIAL REVISION:  
DRWN: SKLIM01 2006/03/01  
APPR: PATEY 2006/03/03


DOCUMENT NUMBER  
**SD-87797-171**

DOC TYPE  
PSD

DOC PART  
000

REVISION  
C16

| PART NO FOR TUBE PACKAGING | PART NO FOR TRAY PACKAGING | PART NO FOR BULK PACKAGING | CKT SIZE | PEG OPTION | VOID POSITION | PLATING TYPE | DIMENSION |            |                |             |
|----------------------------|----------------------------|----------------------------|----------|------------|---------------|--------------|-----------|------------|----------------|-------------|
|                            |                            |                            |          |            |               |              | F         | MATING END | STACKER HEIGHT | SOLDER TAIL |
|                            |                            |                            |          |            |               |              |           | M          | H              | P           |
| -                          | 87797-2600                 | -                          | 26       | NO         | -             | 3            | 19.30     | 7.25       | 9.00           | 3.05        |
| -                          | 87797-0044                 | -                          | 26       | NO         | -             | 2            | 28.74     | 15.86      | 10.08          | 2.80        |
| -                          | 87797-2801                 | -                          | 28       | NO         | -             | 5            | 22.80     | 7.40       | 12.10          | 3.30        |
| -                          | 87797-2802                 | -                          | 28       | NO         | -             | 5            | 34.40     | 7.40       | 23.70          | 3.30        |
| -                          | 87797-3024                 | -                          | 30       | NO         | -             | 4            | 23.62     | 9.40       | 11.43          | 2.79        |
| 87797-3200                 | -                          | -                          | 32       | NO         | -             | 3            | 23.46     | 7.00       | 13.50          | 2.96        |
| -                          | 87797-0045                 | -                          | 34       | NO         | -             | 2            | 28.74     | 15.86      | 10.08          | 2.80        |
| -                          | 87797-0400                 | -                          | 40       | NO         | -             | 3            | 25.40     | 9.91       | 12.70          | 2.79        |
| -                          | -                          | 87797-0500                 | 50       | NO         | -             | 3            | 18.55     | 6.48       | 9.40           | 2.67        |
| -                          | 87797-5800                 | -                          | 58       | NO         | -             | 5            | 18.00     | 3.00       | 12.00          | 3.00        |
| -                          | 87797-6000                 | -                          | 60       | NO         | -             | 3            | 18.05     | 7.00       | 8.00           | 3.05        |
| 87797-6001                 | -                          | -                          | 60       | NO         | -             | 3            | 23.46     | 7.00       | 13.50          | 2.96        |
| -                          | -                          | 87797-6400                 | 64       | NO         | -             | 3            | 23.62     | 5.59       | 15.24          | 2.79        |
| -                          | 87797-7213                 | -                          | 72       | NO         | -             | 3            | 14.35     | 6.22       | 5.08           | 3.05        |
| -                          | 87797-8025                 | -                          | 80       | NO         | -             | 5            | 22.73     | 8.10       | 11.43          | 3.20        |

|   |  |       |  |   |  |  |  |   |  |  |  |  |  |  |  |
|---|--|-------|--|---|--|--|--|---|--|--|--|--|--|--|--|
| THIS DRAWING CONTAINS INFORMATION THAT IS PROPRIETARY TO MOLEX ELECTRONIC TECHNOLOGIES, LLC AND SHOULD NOT BE USED WITHOUT WRITTEN PERMISSION |  |       |  |   |  |  |  |   |  |  |  |  |  |  |  |
| DIMENSION UNITS   |  | SCALE |  | CURRENT REV DESC:   |  |  |  | <br>CUSTOMER HEADER<br>2.54MM PITCH DUAL ROW HEADER, THRU HOLE, VERT |  |  |  |  |  |  |  |
| mm  |  | NTS   |  |   |  |  |  |   |  |  |  |  |  |  |  |
| GENERAL TOLERANCES (UNLESS SPECIFIED)   |  |       |  | EC NO: 690873<br>DRWN: DANUSA<br>CHK'D: DANUSA<br>APPR: MRAMAKRISHNA<br>INITIAL REVISION:<br>DRWN: SKLIM01<br>APPR: PATEY |  |  |  |   |  |  |  | PRODUCT CUSTOMER DRAWING<br>DOCUMENT NUMBER: SD-87797-171<br>DOC TYPE: PSD<br>DOC PART: 000<br>REVISION: C16 |  |  |  |
|   |  |       |  |   |  |  |  |   |  |  |  |  |  |  |  |
| 4 PLACES ±  |  | ±     |  |   |  |  |  | 2021/12/31<br>2022/01/05<br>2022/01/05<br>2006/03/01<br>2006/03/03  |  |  |  | MATERIAL NUMBER: SEE TABLE<br>CUSTOMER: GENERAL MARKET<br>SHEET NUMBER: 3 OF 3                               |  |  |  |
| 3 PLACES ±  |  | ±     |  |   |  |  |  |   |  |  |  |  |  |  |  |
| 2 PLACES ±  |  | 0.2 ± |  |   |  |  |  |   |  |  |  |  |  |  |  |
| 1 PLACE ±   |  | ±     |  | THIRD ANGLE PROJECTION<br>DRAWING: A3-SIZE<br>SERIES: 87797   |  |  |  |   |  |  |  |  |  |  |  |
| 0 PLACES ±  |  | ±     |  |   |  |  |  |   |  |  |  |  |  |  |  |
| ANGULAR TOL ±   |  | 3.0°  |  | DRAFT WHERE APPLICABLE MUST REMAIN WITHIN DIMENSIONS  |  |  |  |   |  |  |  |  |  |  |  |
|   |  |       |  |   |  |  |  |   |  |  |  |  |  |  |  |