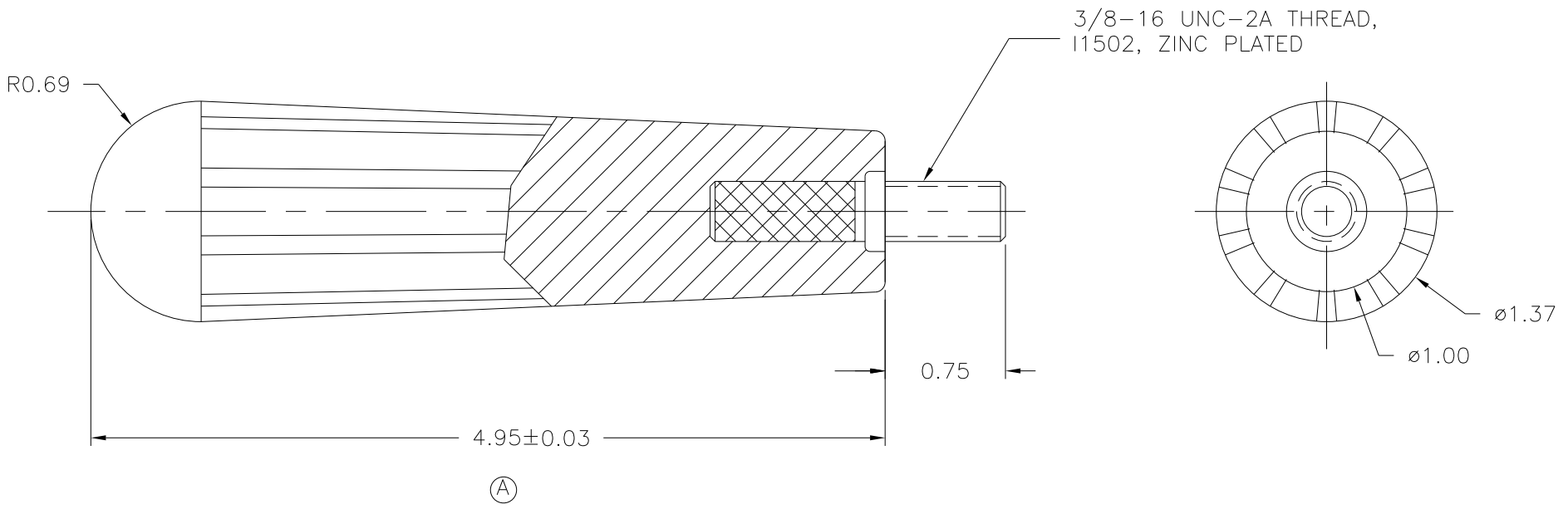


PART NAME: HANDLE    SCALE: 1:1    DATE: 12/8/89    DR. BY HD

THIS DRAWING IS THE PROPERTY OF DAVIES MOLDING COMPANY, IS SUBMITTED SOLELY AS A DESIGN OR ENGINEERING PROJECT. WE ACCEPT NO RESPONSIBILITY WHATSOEVER FOR THE PRACTICAL APPLICATION OF THE PIECES MADE TO THIS DESIGN.

**DAVIES MOLDING** DESIGNERS & MANUFACTURERS OF KNOBS, HANDLES, CASES & CUSTOM PLASTIC COMPONENTS

P/N 0730-H	
M NO. 5682	
CAVITY	0698
PLUNGER	0730
PINS	698-1
PIN BARS	M-698
INSERT	I1502



MATERIAL: #4311 PLENCO PHENOLIC (B41)  
 COLOR: BLACK

TOLERANCES: UNLESS OTHERWISE SPECIFIED	DO NOT SCALE DRAWING	-	UPDATED DRAWING	ST	7/21/2000
DECIMALS: X.XXX ± .005 X.XX ± .015	MM: X.XX ± 0.15MM X.X ± 0.4MM	A	WAS 5 1/16	MP	12/03/96
FRACTIONS ± 1/64	ANG. ± 1°	-	CAD/REDRAWN BY	HD	8/15/94
CHANGES					