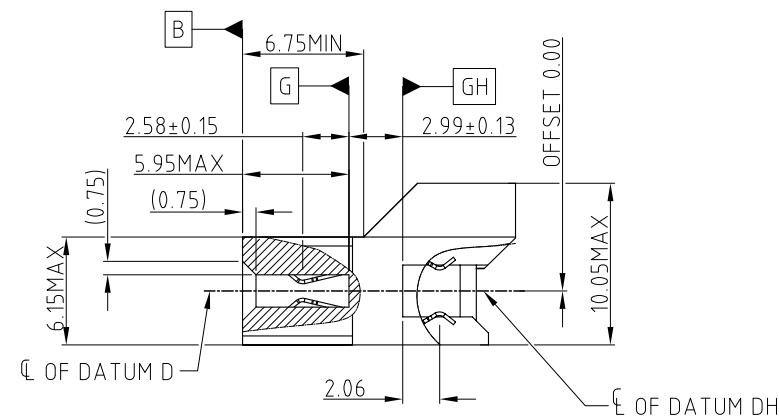
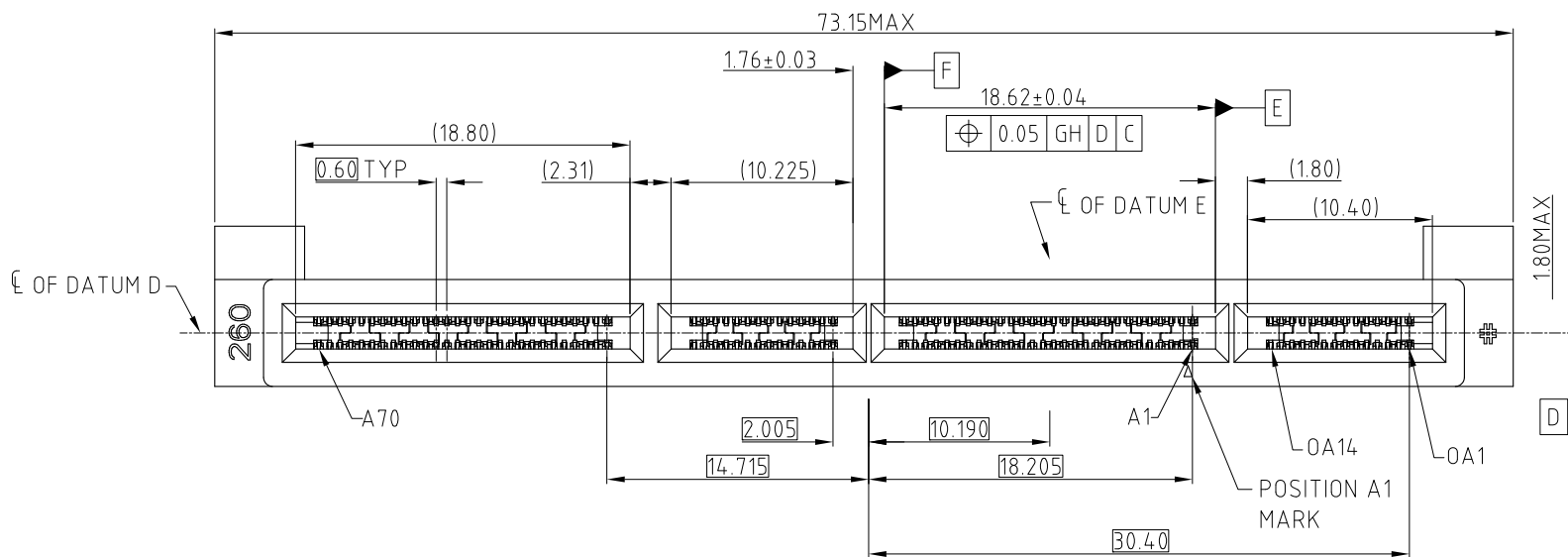


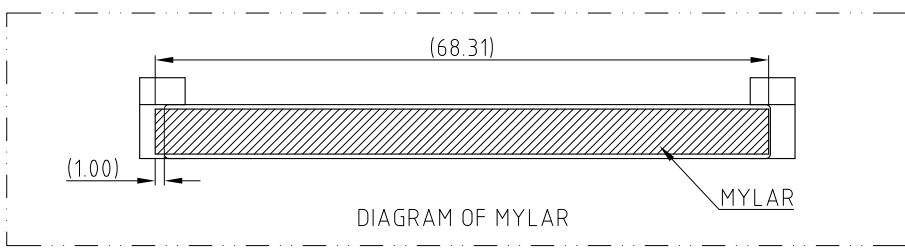
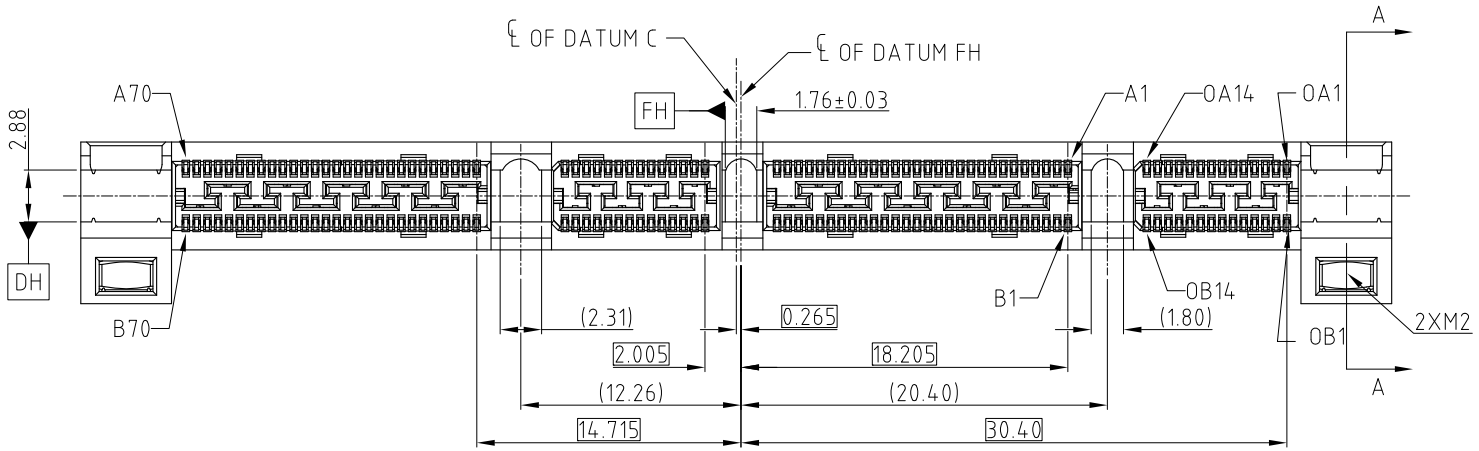
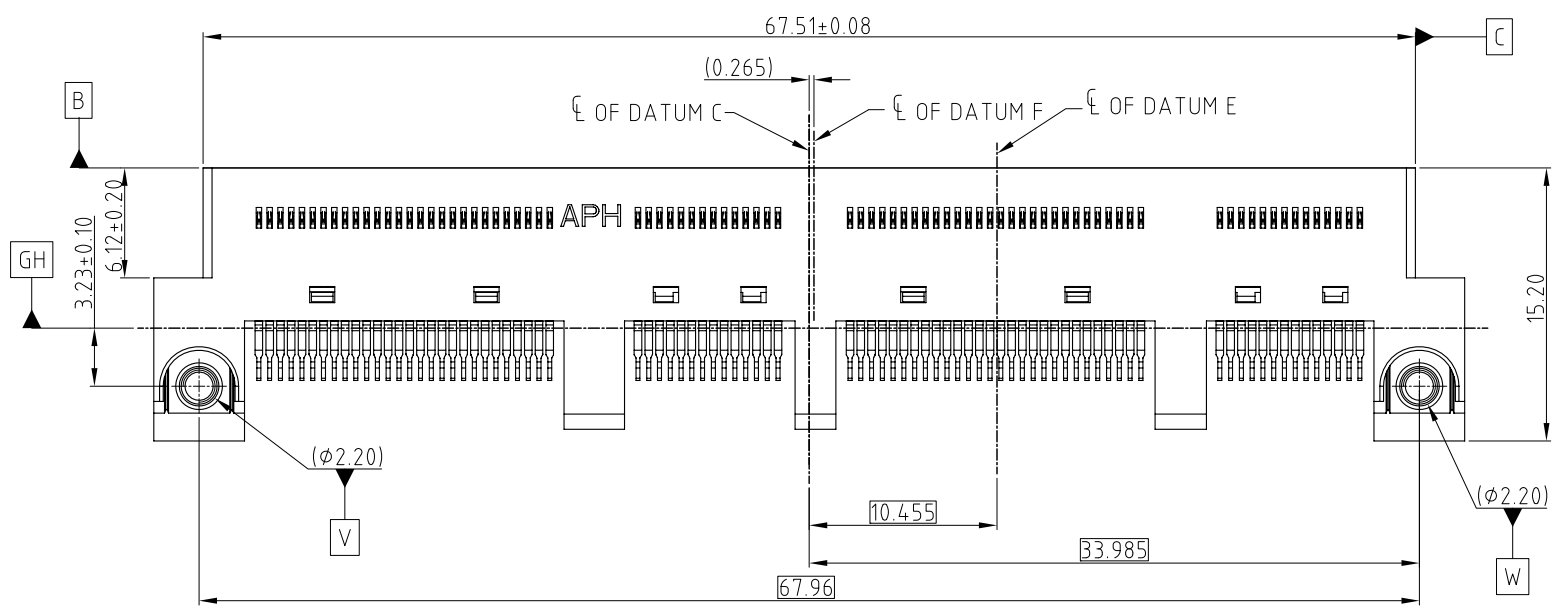
This document is the property of Amphenol Corporation and is delivered on the express condition that it is not to be disclosed, reproduced or used, in whole or in part, for manufacture or sale by anyone other than Amphenol Corporation without its prior consent, & that no right is granted to disclose or to use any information in this document.

CUSTOMER DRAWING

REVISIONS				
SYM	ECN	DESCRIPTION	DATE	APPROVED
1	CDXXXX	PRELIMINARY PROPOSAL	Nov.18,2020	YH
2	CDXXXX	UPDATE P/N SYSTEM	Dec.25,2020	YH



- NOTE:
- MATERIAL:
HOUSING: HIGH TEMPERATURE THERMOPLASTIC BLACK UL94-V0
CONTACT: COPPER ALLOY
NUT: STAINLESS STEEL
 - PLATING:
CONTACT: MATING AREA: Au THICKNESS PLEASE REFER TO PN SYSTEM, 1.27-2.54 μm NICKEL UNDERPLATED
SOLDER AREA: 1.27 μm MIN TIN OVER 1.27-2.54 μm NICKEL UNDERPLATED
 - ELECTRICAL PERFORMANCE:
RATED CURRENT: 1.1A/PIN UP TO 12PINS
LLCR: 30mΩ MAX, DELTA 15 mΩ.
INSULATION RESISTANCE: 1000MΩ MIN
 - DURABILITY: 200 CYCLES.
 - MATERIAL SHOULD BE FULFILLED AMPHENOL SPEC#S-SN-002 AND S-SN-004
 - ORDERING PART NUMBER REFER TO PART NUMBER LIST TABLE



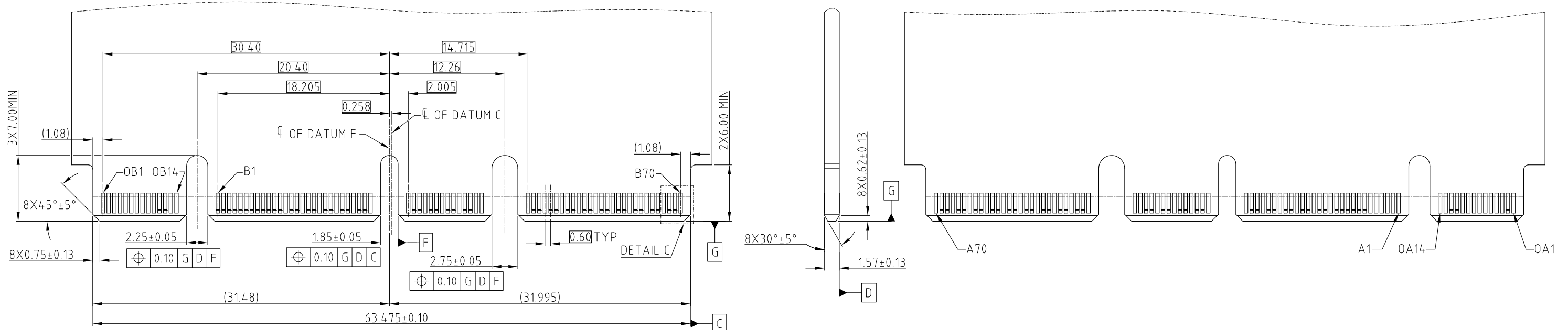
PART NUMBER	PLATING	PACKAGE QUANTITY	SCREW	MYLAR
ME1016843432705	0.38um GXT	27/TRAY 513/CARTON	WITH SCREW	WITHOUT MYLAR
ME1016843432704	0.76um GXT			
ME1016843432703	GOLD FLASH			
ME1016843432702	0.38um Au	27/TRAY 513/CARTON	WITHOUT SCREW	WITHOUT MYLAR
ME1016843432701	0.76um Au			
ME1016843433705	0.38um GXT			
ME1016853422705	0.38um GXT	15/TRAY 300/CARTON	WITH SCREW	WITH MYLAR
ME1016853422704	0.76um GXT			
ME1016853422703	GOLD FLASH			
ME1016853422702	0.38um Au	15/TRAY 300/CARTON	WITHOUT SCREW	WITH MYLAR
ME1016853422701	0.76um Au			
ME1016853423705	0.38um GXT			
ME1016853423704	0.76um GXT	15/TRAY 300/CARTON	WITHOUT SCREW	WITH MYLAR
ME1016853423703	GOLD FLASH			
ME1016853423702	0.38um Au			
ME1016853423701	0.76um Au			

UNLESS OTHERWISE SPECIFIED TOLERANCES U.S. METRIC .X +/- 0.25 .XX +/- 0.20 .XXX +/- 0.15 FRACTIONS +/- ANGLES +/- 5° FOR MATERIALS AND FINISHES SEE NOTES	APPROVAL	DATE	<h1>Amphenol</h1>
	DRAWN Johnny	Dec.25,2020	
REMOVE SHARP EDGES	CHECKED Ly.Yi	Dec.25,2020	TITLE MINI COOL EDGE CONNECTOR 168P S/M MATE 2.60 HOST PCB
DIMENSIONS	APPROVED		
—U.S.— INCHES	DRAWING FILE : INTERNAL\ME\C ME10168X34XX70X		SIZE A3
(METRIC) (mm)	ANGLE OF PROJECTION		DRAWING NO. C ME10168X34XX70X
			REV. 2
			SCALE NONE SHEET 1 OF 4

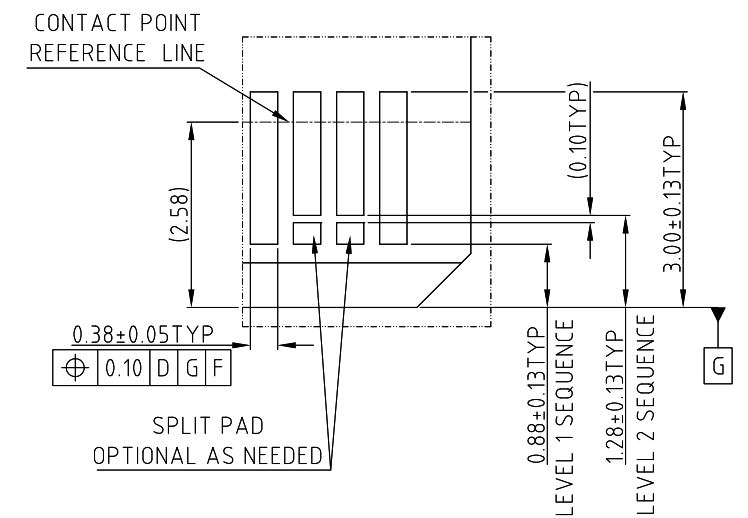
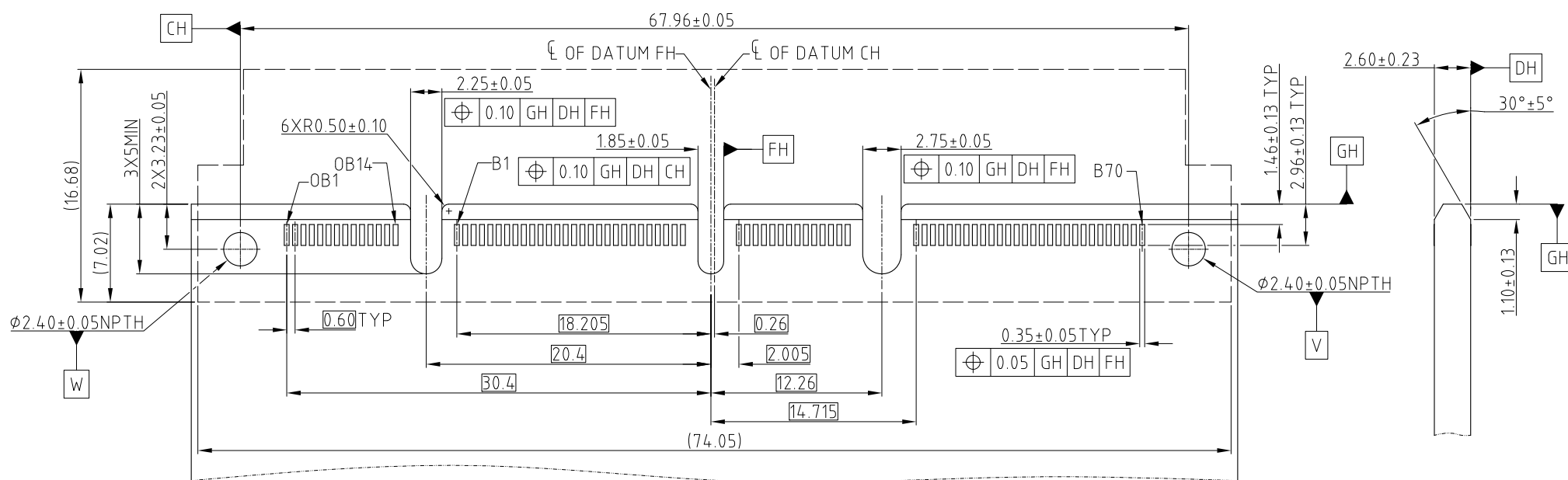
This document is the property of Amphenol Corporation and is delivered on the express condition that it is not to be disclosed, reproduced or used, in whole or in part, for manufacture or sale by anyone other than Amphenol Corporation without its prior consent, & that no right is granted to disclose or to use any information in this document.

CUSTOMER DRAWING

REVISIONS				
SYM	ECN	DESCRIPTION	DATE	APPROVED
		SEE SHEET 1		



RECOMMENDED AIC MATING CARD



DETAIL C SCALE 4:1



NOTE: POSITION A1 ON THE OPPOSITE SIDE OF CARD OF B1 RECOMMENDED FOOTPRINT

UNLESS OTHERWISE SPECIFIED TOLERANCES	
U.S.	METRIC
.X +/-	0.25
.XX +/-	0.20
.XXX +/-	0.15
FRACTIONS +/-	
ANGLES +/-	5°

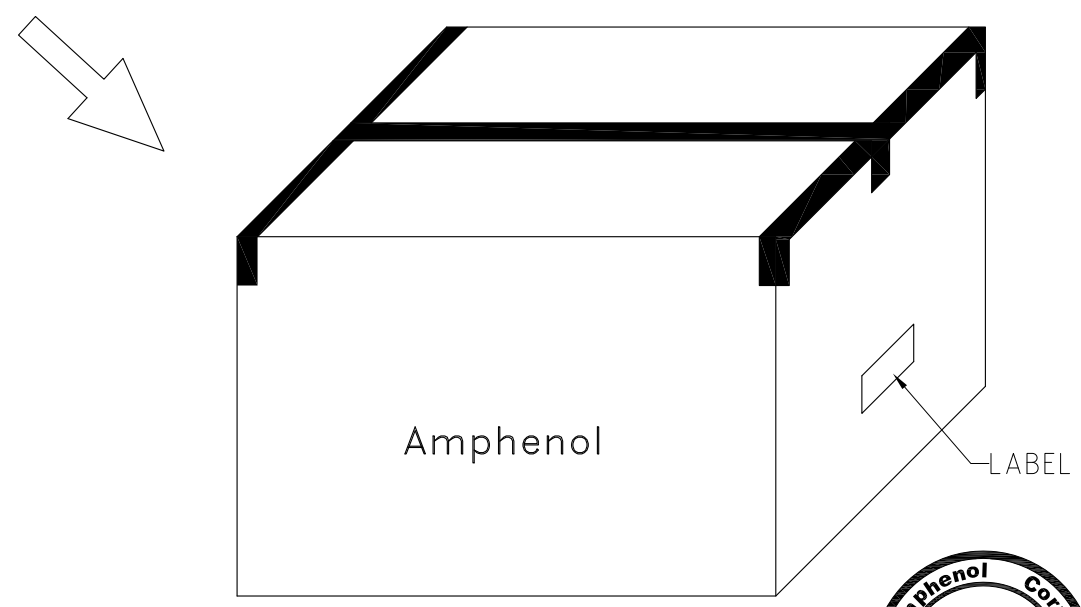
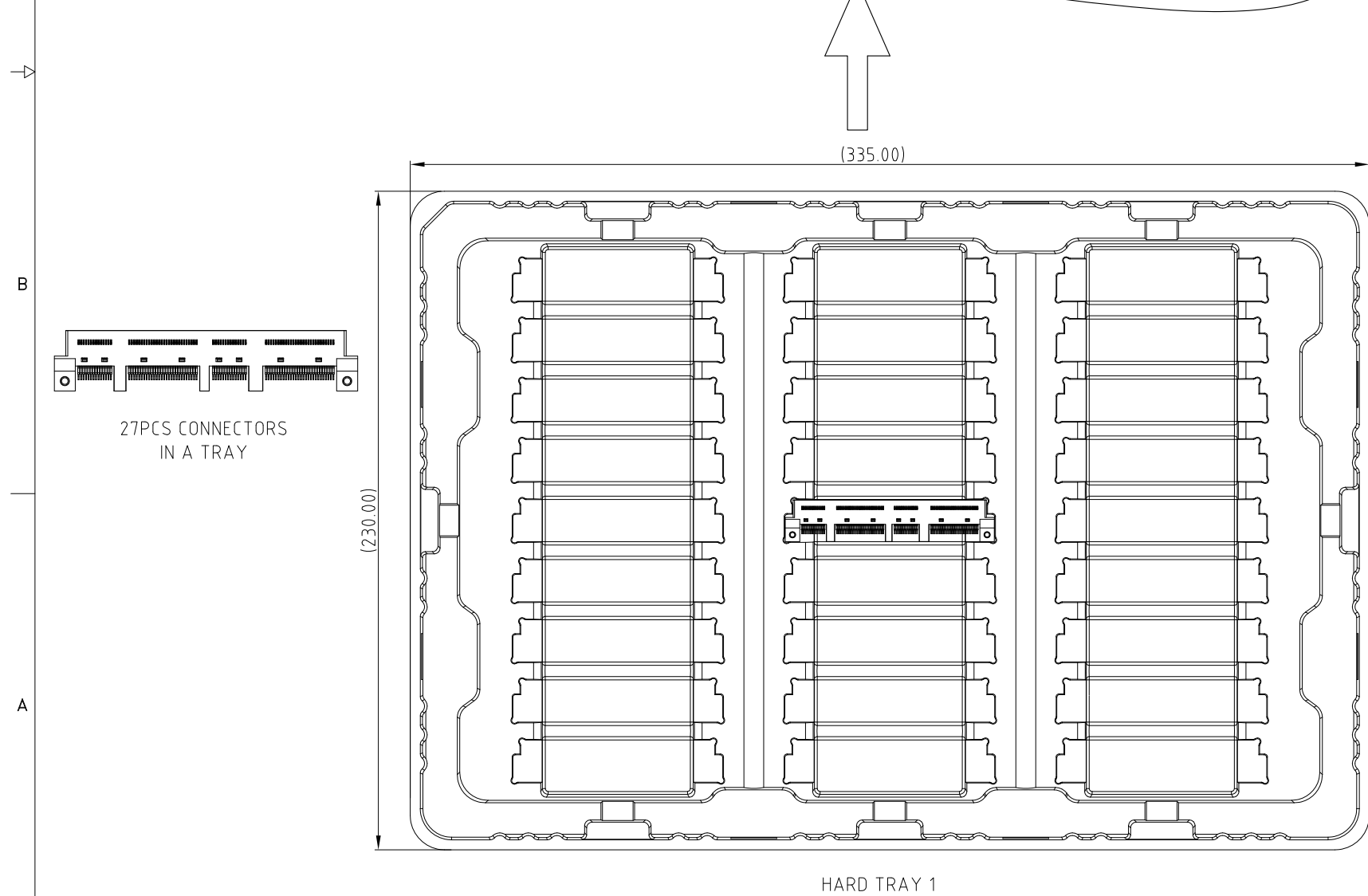
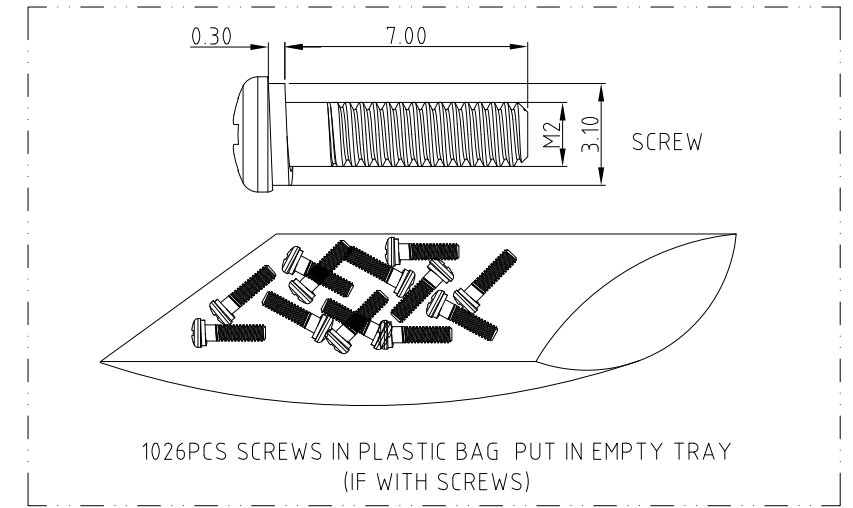
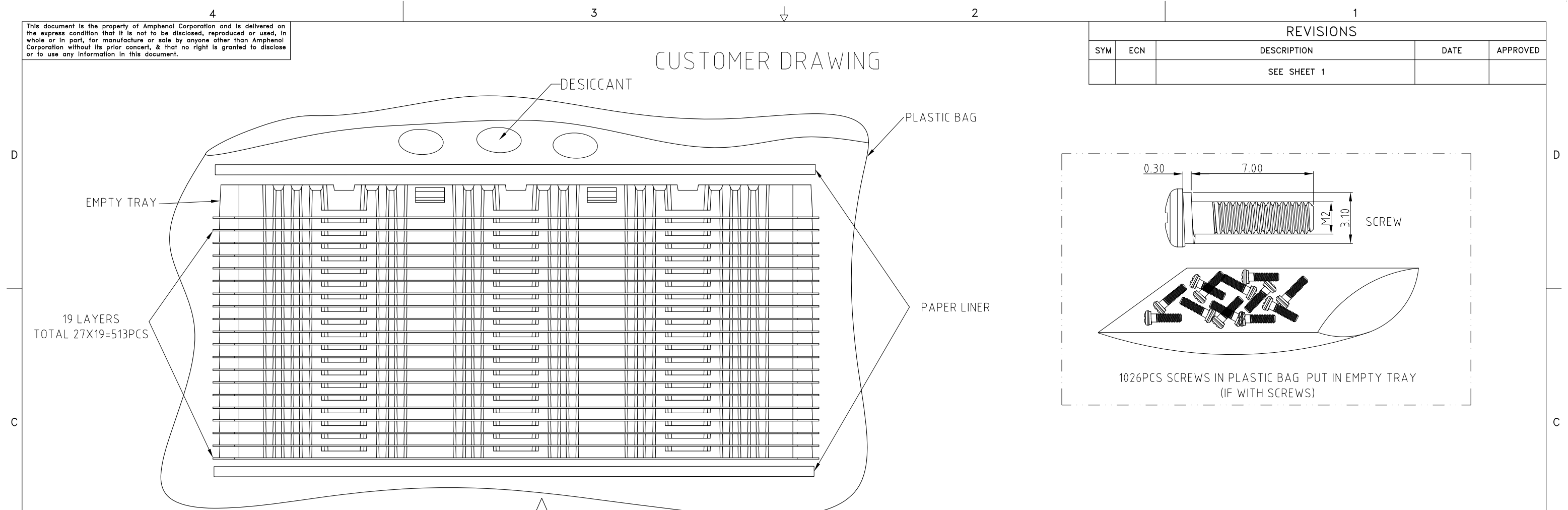
APPROVAL		DATE
DRAWN	Johnny	Dec.25,2020
CHECKED	Ly.Yi	Dec.25,2020
APPROVED		
DRAWING FILE :		
INTERNAL\ME\C ME10168X34XX70X		
ANGLE OF PROJECTION		

Amphenol		
TITLE		
MINI COOL EDGE CONNECTOR 168P S/M MATE 2.60 HOST PCB		
SIZE	DRAWING NO.	REV.
A3	C ME10168X34XX70X	2
SCALE	NONE	SHEET 2 OF 4

This document is the property of Amphenol Corporation and is delivered on the express condition that it is not to be disclosed, reproduced or used, in whole or in part, for manufacture or sale by anyone other than Amphenol Corporation without its prior consent, & that no right is granted to disclose or to use any information in this document.

CUSTOMER DRAWING

REVISIONS				
SYM	ECN	DESCRIPTION	DATE	APPROVED
		SEE SHEET 1		



513PCS /CARTON



UNLESS OTHERWISE SPECIFIED TOLERANCES	
U.S.	METRIC
.X +/-	0.25
.XX +/-	0.20
.XXX +/-	0.15
FRACTIONS +/-	
ANGLES +/-	5°
FOR MATERIALS AND FINISHES SEE NOTES	
REMOVE SHARP EDGES	
DIMENSIONS	
—U.S.—	INCHES
(METRIC)	(mm)

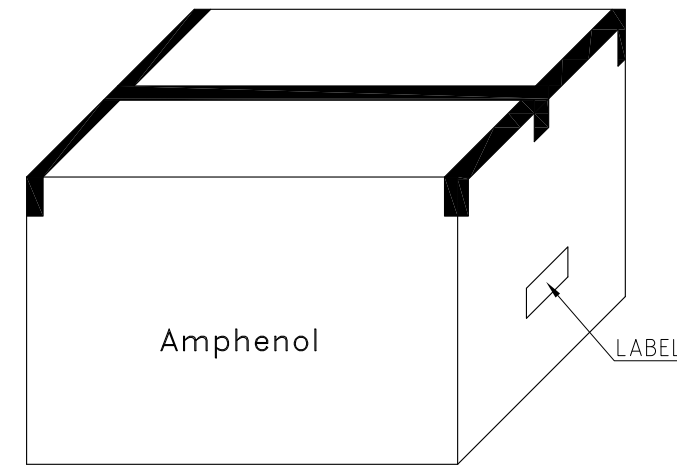
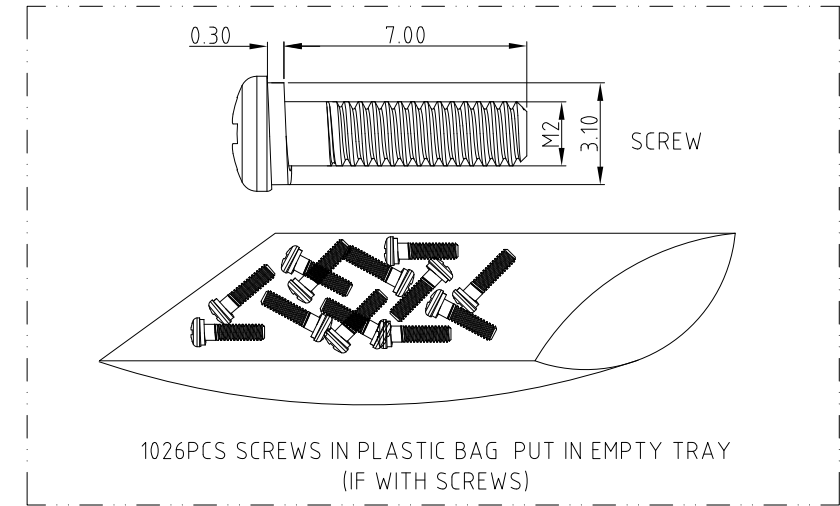
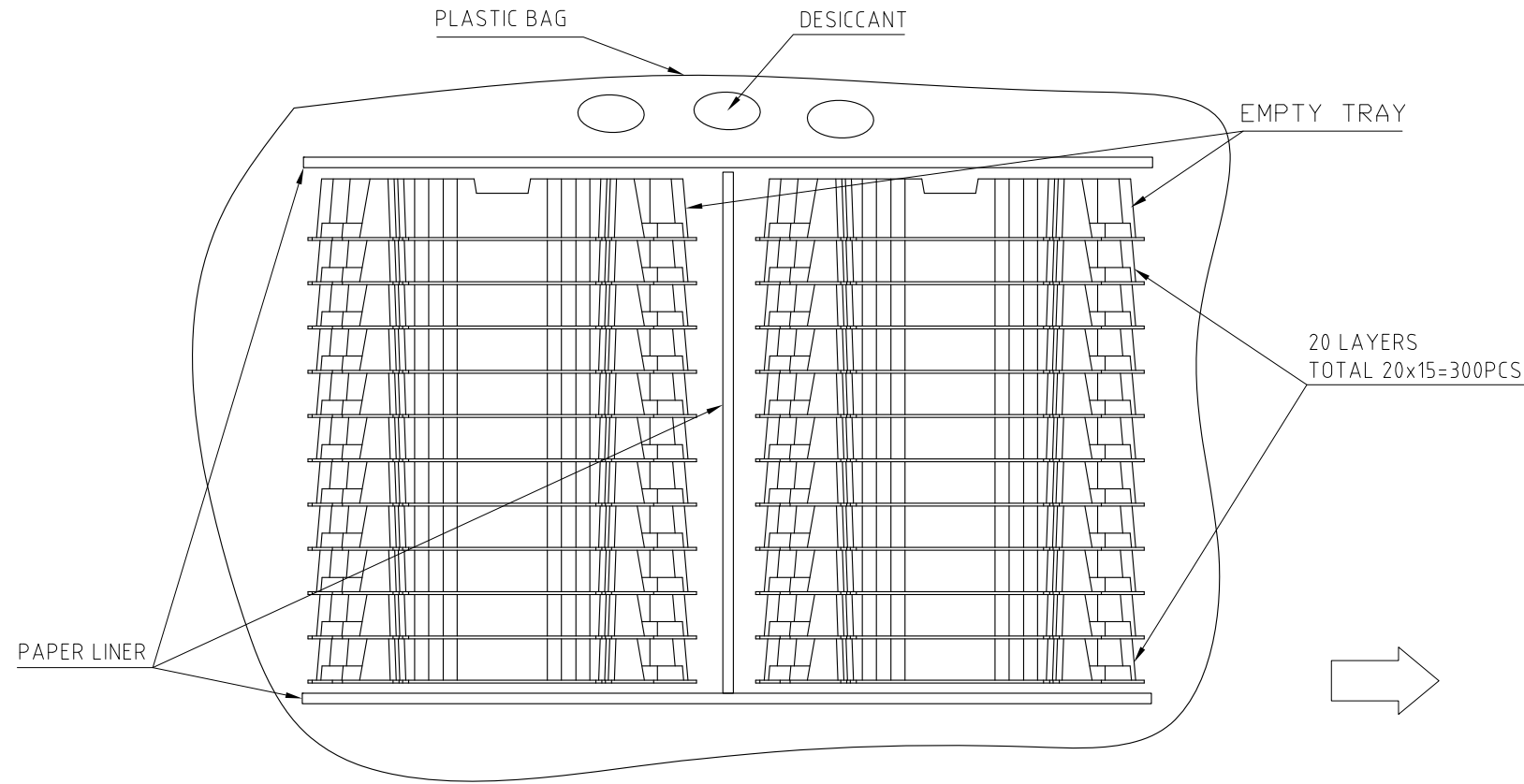
APPROVAL	DATE
DRAWN Johnny	Dec.25,2020
CHECKED Ly.Yi	Dec.25,2020
APPROVED	
DRAWING FILE :	
INTERNAL\ME\C ME10168X34XX70X	
ANGLE OF PROJECTION	

Amphenol		
TITLE		
MINI COOL EDGE CONNECTOR 168P S/M MATE 2.60 HOST PCB		
SIZE	DRAWING NO.	REV.
A3	C ME10168X34XX70X	2
SCALE	NONE	SHEET 3 OF 4

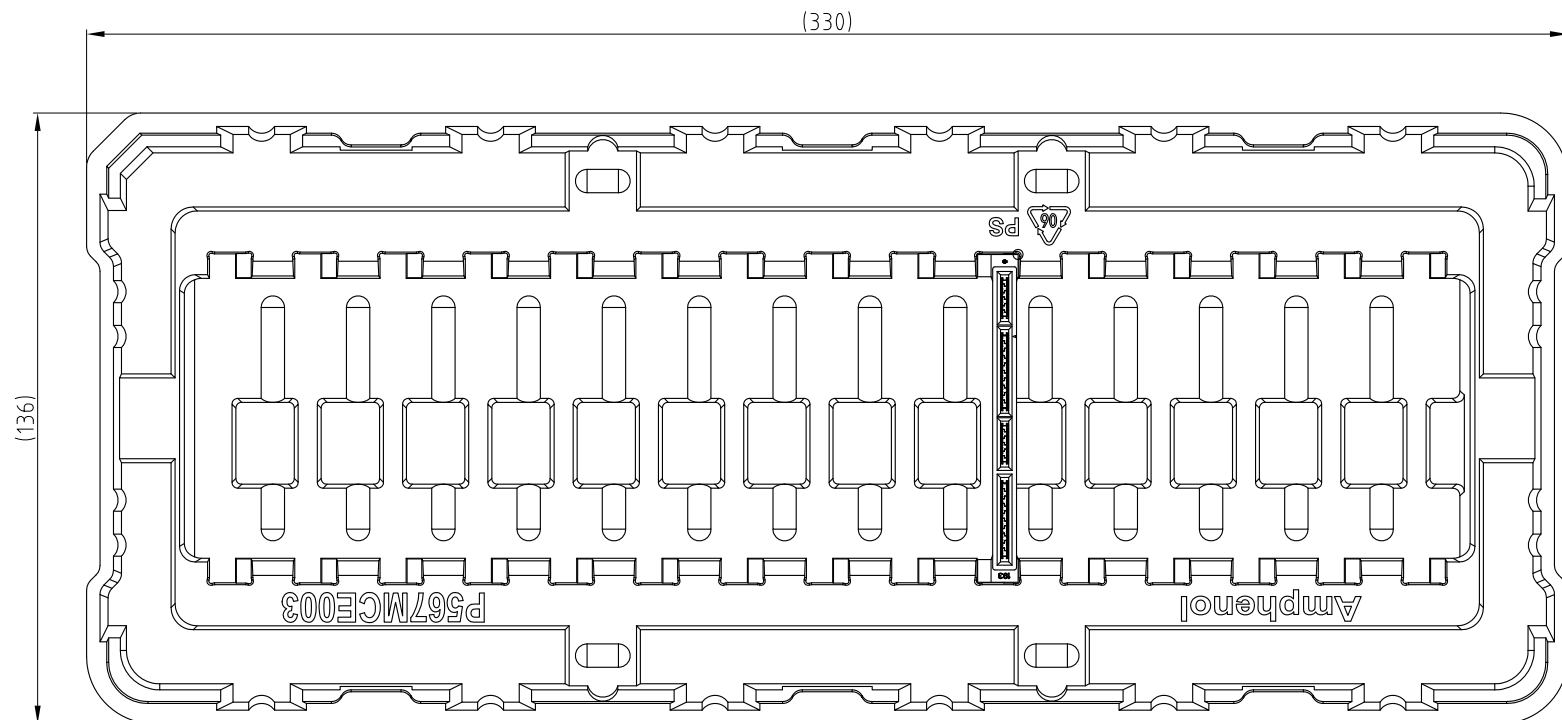
This document is the property of Amphenol Corporation and is delivered on the express condition that it is not to be disclosed, reproduced or used, in whole or in part, for manufacture or sale by anyone other than Amphenol Corporation without its prior consent, & that no right is granted to disclose or to use any information in this document.

CUSTOMER DRAWING

REVISIONS				
SYM	ECN	DESCRIPTION	DATE	APPROVED
		SEE SHEET 1		



300PCS / CARTON



HARD TRAY 2

UNLESS OTHERWISE SPECIFIED TOLERANCES		APPROVAL	DATE	Amphenol	
	U.S. METRIC	DRAWN Johnny	Dec.25,2020		
.X +/-	0.25	CHECKED Ly.Yi	Dec.25,2020		
.XX +/-	0.20	APPROVED		TITLE	
.XXX +/-	0.15			MINI COOL EDGE CONNECTOR 168P S/M	
FRACTIONS +/-				MATE 2.60 HOST PCB	
ANGLES +/-	5°			SIZE	DRAWING NO.
FOR MATERIALS AND FINISHES SEE NOTES		DRAWING FILE : INTERNAL\ME\C ME10168X34XX70X		A3	C ME10168X34XX70X
REMOVE SHARP EDGES		ANGLE OF PROJECTION		SCALE	REV.
DIMENSIONS				NONE	2
—U.S.—	INCHES			SHEET 4 OF 4	
(METRIC)	(mm)				