

**PKM4516AD Series Fully Regulated DC-DC Converters**  
 Input 36-75 V, Output up to 18 A / 504 W

28701-BMR68201 Rev.A November 2019  
 © Flex

### Key Features

- Industry standard Quarter-brick  
 58.4 x 36.8 x 12.7 mm (2.3 x 1.45 x 0.5 in)
- High efficiency, typ. 95.5% at 28Vout half load
- 2250 Vdc input to output isolation
- Meets safety requirements according to IEC/EN/UL 62368-1
- Functional Insulation
- MTBF 7.96 Million hours



### General Characteristics

- Output over voltage protection
- Input under voltage shutdown
- Over temperature protection
- Monotonic start-up
- Output short-circuit protection
- Remote sense
- Remote control
- Output voltage adjust function
- Highly automated manufacturing ensures quality
- ISO 9001/14001 certified supplier

### Safety Approvals



### Design for Environment



Meets requirements in high-temperature lead-free soldering processes.

### Contents

Ordering Information	2
General Information	2
Safety Specification	3
Absolute Maximum Ratings	4
Electrical Specification	
28 V, 18 A / 504 W	PKM4516AD ..... 5
EMC Specification	10
Operating Information	11
Thermal Consideration	12
Connections	14
Mechanical Information	15
Soldering Information	16
Delivery Information	16
Product Qualification Specification	17

**PKM4516AD Series Fully Regulated DC-DC Converters**  
 Input 36-75 V, Output up to 18 A / 504 W

28701-BMR68201 Rev.A November 2019

© Flex

**Ordering Information**

Product program	Output
PKM4516AD	28 V, 18A /504 W

## Product number and Packaging

PKM4516ADn <sub>1</sub> n <sub>2</sub> n <sub>3</sub> n <sub>4</sub>				
Options	n <sub>1</sub>	n <sub>2</sub>	n <sub>3</sub>	n <sub>4</sub>
Mounting	o			
Remote Control logic		o		
Mechanical Option			o	
Lead length				o

Options	Description
n <sub>1</sub>	PI Through hole
n <sub>2</sub>	Negative Logic * P Positive Logic
n <sub>3</sub>	HS Heat Sink
n <sub>4</sub>	LA 3.69 mm

\* Standard variant (i.e. no option selected)

**General Information**
**Reliability**

The failure rate ( $\lambda$ ) and mean time between failures (MTBF =  $1/\lambda$ ) is calculated at max output power and an operating ambient temperature ( $T_A$ ) of +40°C. Flex Power Modules uses Telcordia SR-332 Issue 3 Method 1 to calculate the mean steady-state failure rate and standard deviation ( $\sigma$ ).

Telcordia SR-332 Issue 4 also provides techniques to estimate the upper confidence levels of failure rates based on the mean and standard deviation.

Mean steady-state failure rate, $\lambda$	Std. deviation, $\sigma$
126 nFailures/h	8.0 nFailures/h

MTBF (mean value) for the PKM4516AD = 7.96 Mh.

MTBF at 90% confidence level = 7.36 Mh

**Compatibility with RoHS requirements**

The products are compatible with the relevant clauses and requirements of the RoHS directive 2011/65/EU and have a maximum concentration value of 0.1% by weight in homogeneous materials for lead, mercury, hexavalent chromium, PBB and PBDE and of 0.01% by weight in homogeneous materials for cadmium.

Exemptions in the RoHS directive utilized in Flex Power Modules products are found in the Statement of Compliance document.

Flex Power Modules fulfills and will continuously fulfill all its obligations under regulation (EC) No 1907/2006 concerning the registration, evaluation, authorization and restriction of chemicals (REACH) as they enter into force and is through product materials declarations preparing for the obligations to communicate information on substances in the products.

**Quality Statement**

The products are designed and manufactured in an industrial environment where quality systems and methods like ISO 9000, Six Sigma, and SPC are intensively in use to boost the continuous improvements strategy. Infant mortality or early failures in the products are screened out and they are subjected to an ATE-based final test. Conservative design rules, design reviews and product qualifications, plus the high competence of an engaged work force, contribute to the high quality of the products.

**Warranty**

Warranty period and conditions are defined in Flex Power Modules General Terms and Conditions of Sale.

**Limitation of Liability**

Flex Power Modules does not make any other warranties, expressed or implied including any warranty of merchantability or fitness for a particular purpose (including, but not limited to, use in life support applications, where malfunctions of product can cause injury to a person's health or life).

**© Flex 2019**

The information and specifications in this technical specification is believed to be correct at the time of publication. However, no liability is accepted for inaccuracies, printing errors or for any consequences thereof. Flex reserves the right to change the contents of this technical specification at any time without prior notice.

<b>PKM4516AD Series Fully Regulated DC-DC Converters</b> Input 36-75 V, Output up to 18 A / 504 W	28701-BMR68201 Rev.A	November 2019
	© Flex	

## Safety Specification

### General information

Flex Power DC/DC converters and DC/DC regulators are designed in accordance with the safety standards IEC 62368-1, EN 62368-1 and UL 62368-1 *Audio/video, information and communication technology equipment - Part 1: Safety requirements*

IEC/EN/UL 62368-1 contains requirements to prevent injury or damage due to the following hazards:

- Electrical shock
- Electrically-caused fire
- Injury caused by hazardous substances
- Mechanically-caused injury
- Skin burn
- Radiation-caused injury

On-board DC/DC converters, Power interface modules and DC/DC regulators are defined as component power supplies. As components they cannot fully comply with the provisions of any safety requirements without "conditions of acceptability". Clearance between conductors and between conductive parts of the component power supply and conductors on the board in the final product must meet the applicable safety requirements. Certain conditions of acceptability apply for component power supplies with limited stand-off (see Mechanical Information for further information). It is the responsibility of the installer to ensure that the final product housing these components complies with the requirements of all applicable safety standards and regulations for the final product.

Component power supplies for general use shall comply with the requirements in IEC/EN/UL 62368-1. Product related standards, e.g. IEEE 802.3af *Power over Ethernet*, and ETS-300132-2 *Power interface at the input to telecom equipment, operated by direct current (dc)* are based on IEC/EN/UL 62368-1 with regards to safety.

Flex Power DC/DC converters, Power interface modules and DC/DC regulators are UL 62368-1 recognized and certified in accordance with EN 62368-1. The flammability rating for all construction parts of the products meet requirements for V-0 class material according to IEC 60695-11-10, *Fire hazard testing, test flames – 50 W* horizontal and vertical flame test methods.

### Isolated DC/DC converters & Power interface modules

The product may provide basic or functional insulation between input and output according to IEC/EN/UL 62368-1 (see Safety Certificate), different conditions shall be met if the output of a basic or a functional insulated product shall be considered as ES1 energy source.

For basic insulated products (see Safety Certificate) the output is considered as ES1 energy source if one of the

following conditions is met:

- The input source provides supplementary or double or reinforced insulation from the AC mains according to IEC/EN/UL 62368-1.
- The input source provides functional or basic insulation from the AC mains and the product's output is reliably connected to protective earth according to IEC/EN/UL 62368-1.

For functional insulated products (see Safety Certificate) the output is considered as ES1 energy source if one of the following conditions is met:

- The input source provides double or reinforced insulation from the AC mains according to IEC/EN/UL 62368-1.
- The input source provides basic or supplementary insulation from the AC mains and the product's output is reliably connected to protective earth according to IEC/EN/UL 62368-1.
- The input source is reliably connected to protective earth and provides basic or supplementary insulation according to IEC/EN/UL 62368-1 and the maximum input source voltage is 60 Vdc.

Galvanic isolation between input and output is verified in an electric strength test and the isolation voltage ( $V_{iso}$ ) meets the voltage strength requirement for basic insulation according to IEC/EN/UL 62368-1.

It is recommended to use a slow blow fuse at the input of each DC/DC converter. If an input filter is used in the circuit the fuse should be placed in front of the input filter. In the rare event of a component problem that imposes a short circuit on the input source, this fuse will provide the following functions:

- Isolate the fault from the input power source so as not to affect the operation of other parts of the system
- Protect the distribution wiring from excessive current and power loss thus preventing hazardous overheating

**PKM4516AD Series Fully Regulated DC-DC Converters**  
 Input 36-75 V, Output up to 18 A / 504 W

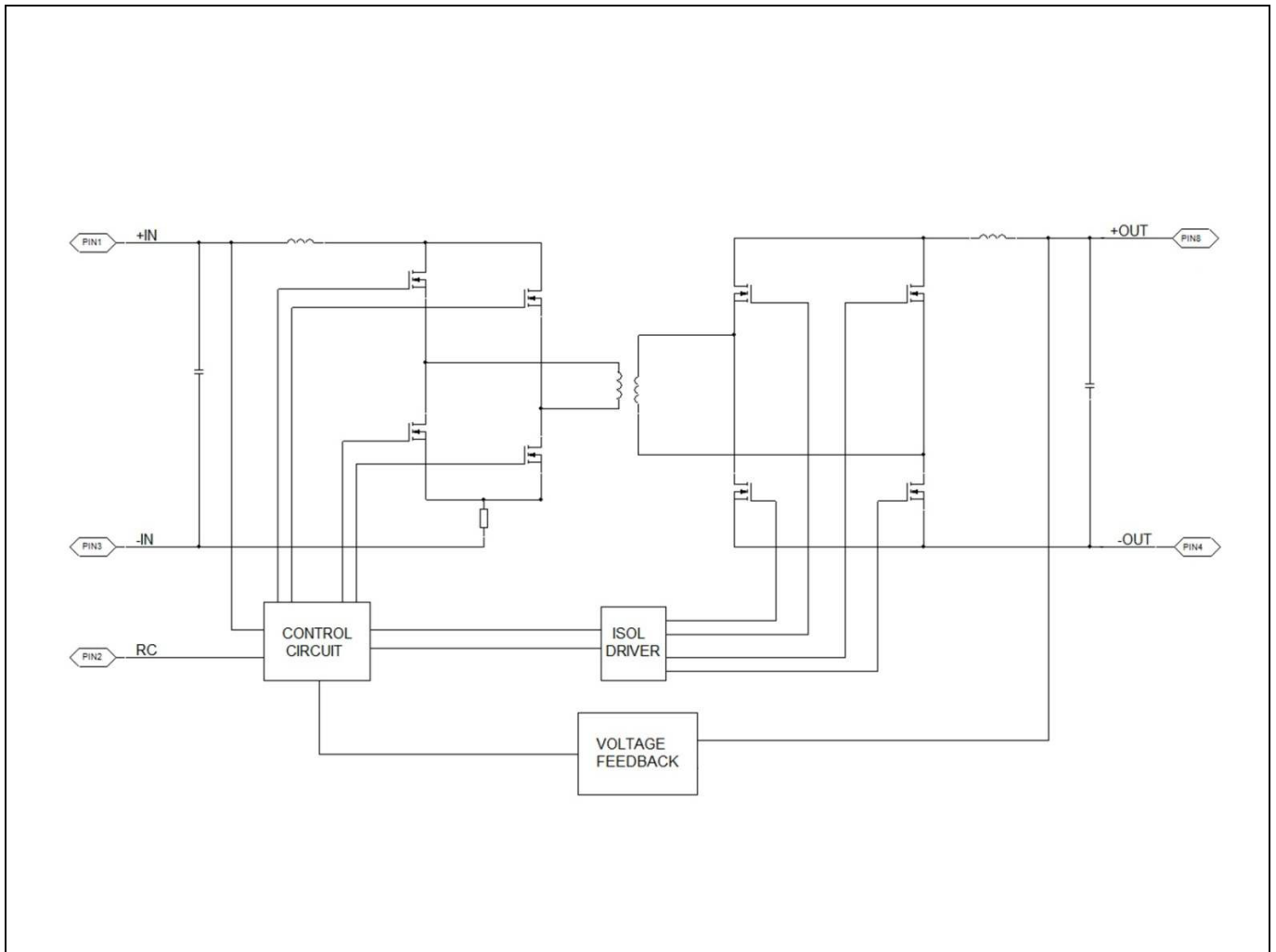
28701-BMR68201 Rev.A November 2019  
 © Flex

**Absolute Maximum Ratings**

Characteristics		min	typ	max	Unit
T <sub>A</sub>	Ambient Operating Temperature	-40		+100	°C
T <sub>P2</sub>	Base plate Operating Temperature	-40		+100	°C
T <sub>P1</sub>	Operating Temperature (see Thermal Consideration section in 3/1301-BMR68201)	-40		+125	°C
T <sub>S</sub>	Storage temperature	-55		+125	°C
V <sub>I</sub>	Input voltage	-0.5		+80	V
C <sub>out</sub>	Output Capacitive Load	220		9000	μF
V <sub>iso</sub>	Isolation voltage (input to output test voltage)			2250	Vdc
V <sub>iso</sub>	Isolation voltage (input to baseplate qualification test voltage)			1500	Vdc
V <sub>iso</sub>	Isolation voltage (baseplate to output qualification test voltage)			750	Vdc
V <sub>tr</sub>	Input voltage transient 100ms			100	V
V <sub>RC</sub>	Remote Control pin voltage (see Operating Information section)	Positive logic option		6	V
		Negative logic option	-0.5	6	V
V <sub>adj</sub>	Adjust pin voltage (see Operating Information section)	-0.5		5	V

Stresses above those listed under Absolute Maximum Ratings may cause permanent damage to the device. This is a stress rating only; functional operation of the device at these or any other conditions above those indicated in the Electrical Specification section of this specification is not implied. Exposure to absolute maximum rating conditions for extended periods may affect device reliability.

**Fundamental Circuit Diagram**



**PKM4516AD Series Fully Regulated DC-DC Converters**  
 Input 36-75 V, Output up to 18 A / 504 W

28701-BMR68201 Rev.A November 2019

© Flex

**Electrical Specification**  
**28.0 V, 18 A / 504 W**
**PKM4516AD**
 $T_{P1} = -40$  to  $+100^{\circ}\text{C}$ ,  $V_I = 36$  to  $75$  V, unless otherwise specified under Conditions.

 Typical values given at:  $T_{P1} = +25^{\circ}\text{C}$ ,  $V_I = 48$  V,  $I_O = \text{max}$ , unless otherwise specified under Conditions.

 Additional  $C_{in} = 200 \mu\text{F}$ ,  $C_{out} = 820 \mu\text{F}$ . See Operating Information section for selection of capacitor types.

Characteristics		Conditions	min	typ	max	Unit
$V_I$	Input voltage range		36		75	V
$V_{loff}$	Turn-off input voltage	Decreasing input voltage	30	31	33	V
$V_{lon}$	Turn-on input voltage	Increasing input voltage	31	33	34	V
$P_O$	Output power		0		504	W
$\eta$	Efficiency	50% of max $I_O$	94.1	95.5		%
		max $I_O$	94	95		
		Eff just before OTP		93		
$P_d$	Power Dissipation	max $I_O$		27	32	W
$P_{li}$	Input idling power	$I_O = 0$ A, $V_I = 48$ V		6		W
$P_{RC}$	Input standby power	$V_I = 48$ V (turned off with RC)		0.5		W
$f_s$	Switching frequency	0-100 % of max $I_O$	170	180	190	kHz

$V_{Oi}$	Output voltage initial setting and accuracy	$T_{P1} = +25^{\circ}\text{C}$ , $V_I = 48$ V, $I_O = 18$ A	27.44	28	28.56	V
	Output adjust range	See operating information	14		35	V
	Output voltage tolerance band	0-100% of max $I_O$ ,	27.16		28.84	V
	Idling voltage	$I_O = 0$ A	27.16		28.84	V
	Line regulation	max $I_O$		10	30	mV
	Load regulation	$V_I = 48$ V, 0-100% of max $I_O$		10	30	mV
$V_{tr}$	Load transient voltage deviation	$V_I = 48$ V, Load step 25-75-25% of max $I_O$ , $di/dt = 1$ A/ $\mu\text{s}$ , $C_0 = 820 \mu\text{F}$		$\pm 300$	$\pm 650$	mV
$t_{tr}$	Load transient recovery time	See note 3		200	400	$\mu\text{s}$
$t_r$	Ramp-up time (from 10-90% of $V_{Oi}$ )	10-100% of max $I_O$		50	70	ms
$t_s$	Start-up time (from $V_I$ connection to 90% of $V_{Oi}$ )			75	100	ms
$t_{RC}$	RC start-up time (from $V_{RC}$ connection to 90% of $V_{Oi}$ )	max $I_O$		65	100	ms
RC	Sink current, see Note 1	See operating information	0.5			mA
	Logic high voltage		3.0		6	V
	Logic low voltage		0		0.8	V
$I_O$	Output current		0		18	A
$I_{lim}$	Current limit threshold	$T_{P1} < \text{max } T_{P1}$	19	22	24	A
$I_{sc}$	Short circuit current	$T_{P1} = 25^{\circ}\text{C}$ , see Note 2		8	12	A
$C_{out}$	Recommended Capacitive Load	$T_{P1} = 25^{\circ}\text{C}$	820		4500	$\mu\text{F}$
$V_{Oac}$	Output ripple & noise	See ripple & noise section, $V_{Oi}$	100	250	450	mVp-p
OVP	Over voltage protection	$T_{P1} = +25^{\circ}\text{C}$ , $V_I = 48$ V, 0-100% of max $I_O$	35	36.5	38	V
OTP	Over temperature protection	$T_{P2}$	100	110	120	$^{\circ}\text{C}$
	OTP hysteresis		1	10		$^{\circ}\text{C}$

Note 1: Sink current drawn by external device connected to the RC pin

Note 2: RMS current at OCP in hic-up mode

Note 3: In cold measurements a low temperature capacitor is added.

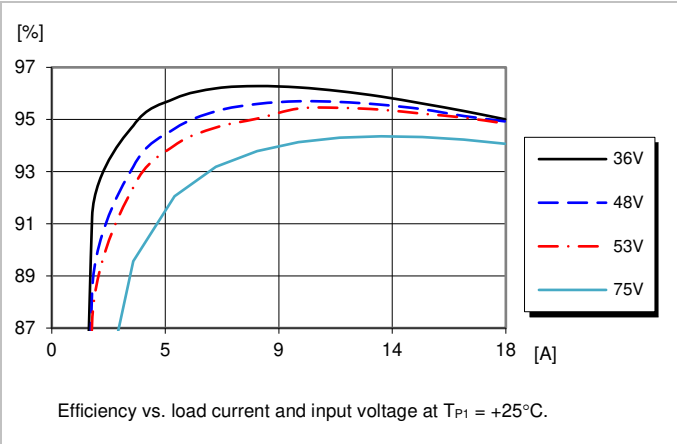
**PKM4516AD Series Fully Regulated DC-DC Converters**  
 Input 36-75 V, Output up to 18 A / 504 W

28701-BMR68201 Rev.A November 2019  
 © Flex

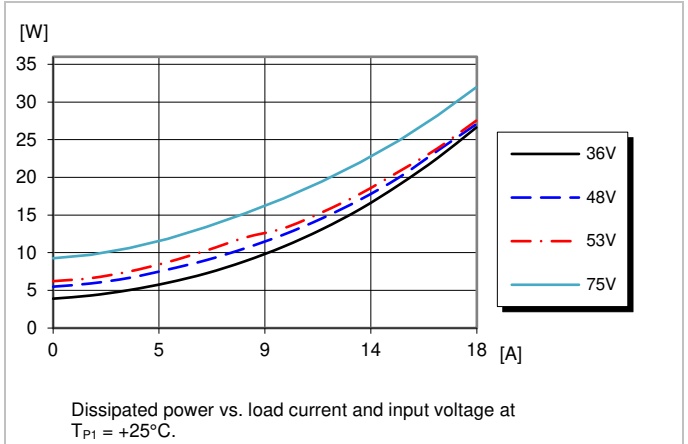
**Typical Characteristics**  
**28.0 V, 18 A / 504 W**

**PKM4516AD**

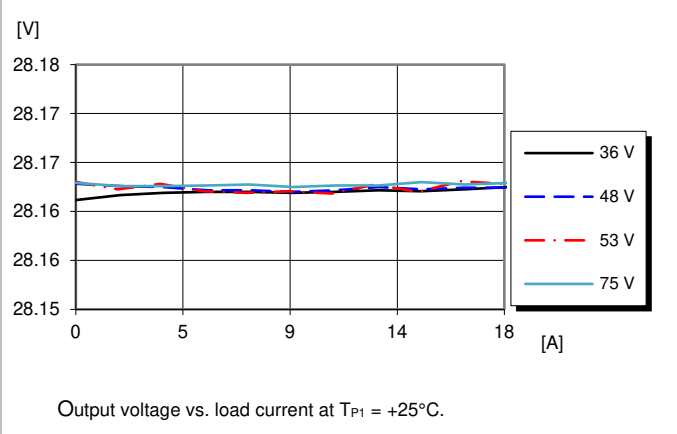
**Efficiency**



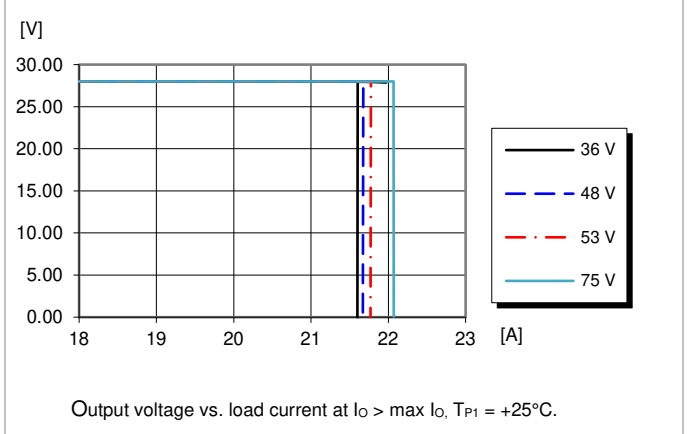
**Power Dissipation**



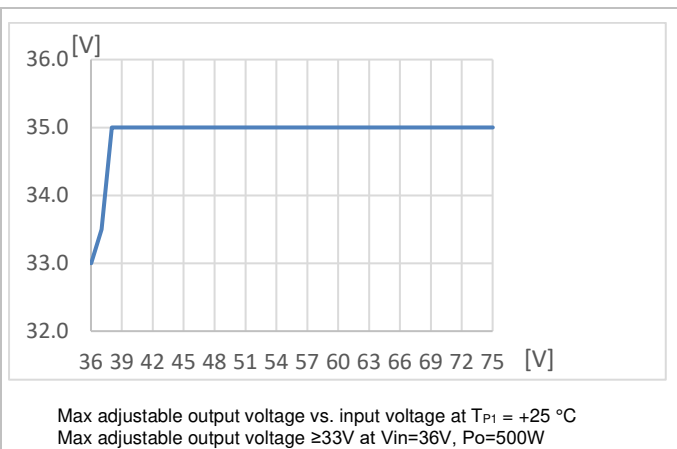
**Output Characteristics**



**Current Limit Characteristics**



**Max adjustable output voltage**



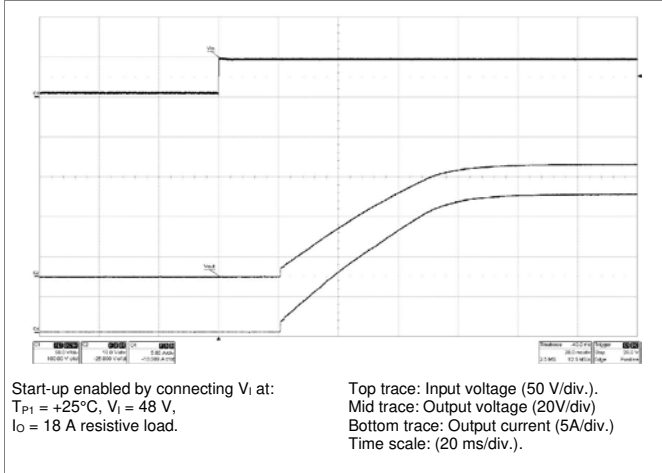
**PKM4516AD Series Fully Regulated DC-DC Converters**  
 Input 36-75 V, Output up to 18 A / 504 W

28701-BMR68201 Rev.A November 2019  
 © Flex

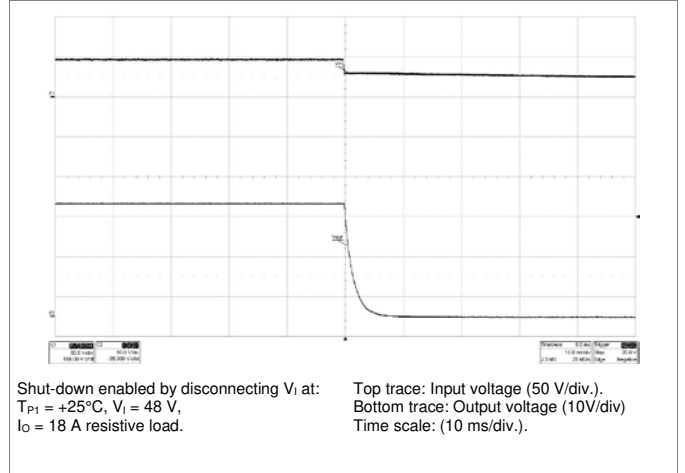
**Typical Characteristics**  
 28.0 V, 18 A / 504 W

**PKM4516AD**

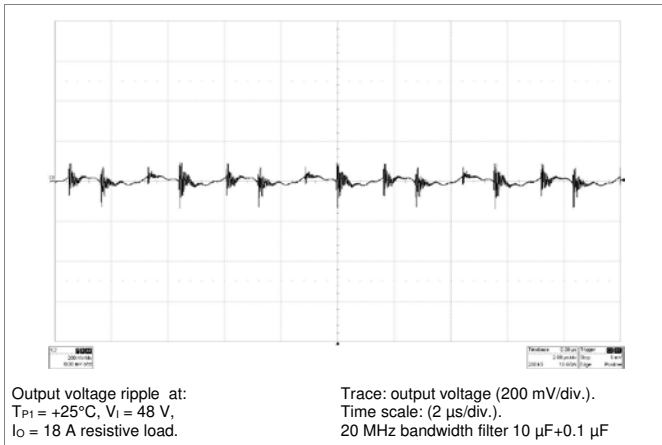
**Start-up**



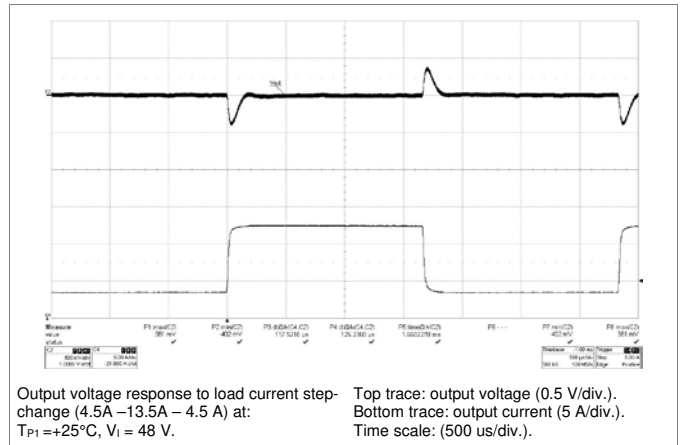
**Shut-down**



**Output Ripple & Noise**



**Output Load Transient Response**



**Output Voltage Adjust (see operating information)**

**Passive adjust**

The resistor value for an adjusted output voltage is calculated by using the following equations:

Output Voltage Adjust, Decrease:

$$R_{adj} = \left( \frac{100}{\Delta\%} - 2 \right) \text{ k}\Omega$$

Output Voltage Adjust, Increase:

$$R_{adj} = \left( \frac{28 \times (100 + \Delta\%)}{1.225 \times \Delta\%} - 2 \right) \text{ k}\Omega$$

Example: Increase 10% =>  $V_o = 30.8\text{ Vdc}$

$$\left( \frac{28 \times (100 + 10)}{1.225 \times 10} - 2 \right) \text{ k}\Omega = 239 \text{ k}\Omega$$

**Active adjust**

The output voltage may be adjusted using a voltage applied to the  $V_{adj}$  pin through a resistor  $R_{adj}$ . This voltage is calculated by using the following equation:

$$V_{adj} = \left( 1.225 + (R_{adj} + 2) \times 1.225 \times \frac{V_{desired} - 28}{28} \right) \text{ V}$$

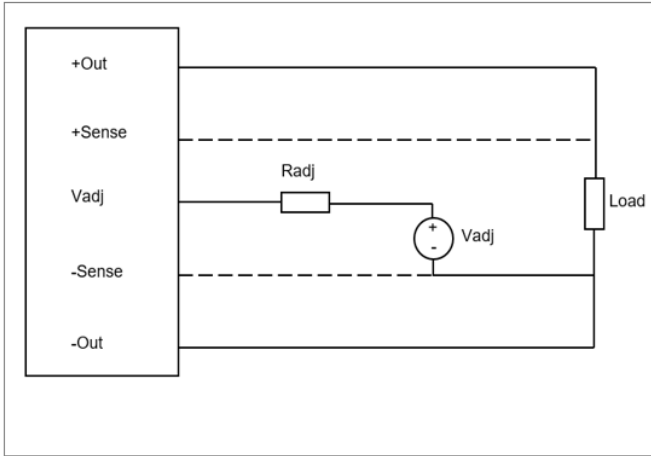
$V_{desired}$ : desired (trimmed) output voltage (V)

$V_{adj}$ : the external trim voltage (V)

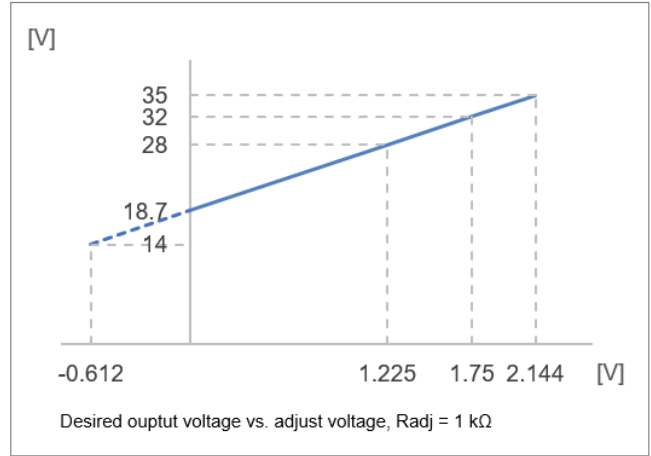
$R_{adj}$ : the external trim resistor (kΩ)

**PKM4516AD Series Fully Regulated DC-DC Converters**  
 Input 36-75 V, Output up to 18 A / 504 W

28701-BMR68201 Rev.A November 2019  
 © Flex

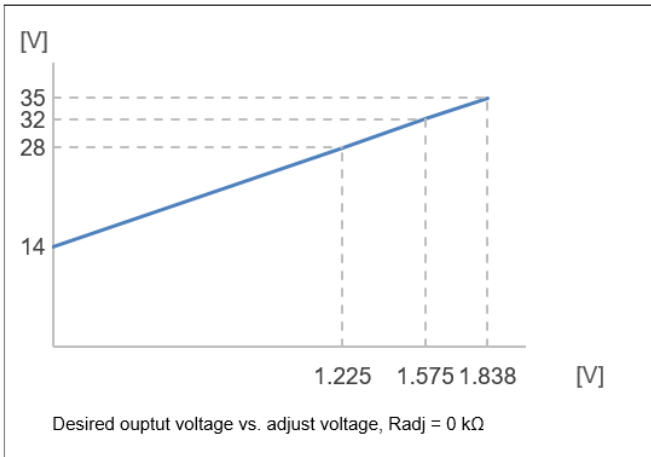


Active adjust



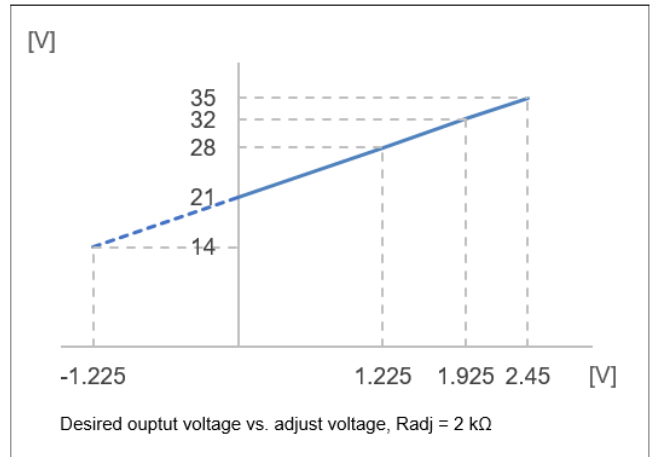
When Radj = 1 kΩ,

$$V_{adj} = \left( 1.225 + 3.675 \times \frac{V_{desired} - 28}{28} \right) \text{ V}$$



When Radj = 0 kΩ,

$$V_{adj} = \left( 1.225 + 2.45 \times \frac{V_{desired} - 28}{28} \right) \text{ V}$$



When Radj = 2 kΩ,

$$V_{adj} = \left( 1.225 + 4.9 \times \frac{V_{desired} - 28}{28} \right) \text{ V}$$



**PKM4516AD Series Fully Regulated DC-DC Converters**  
 Input 36-75 V, Output up to 18 A / 504 W

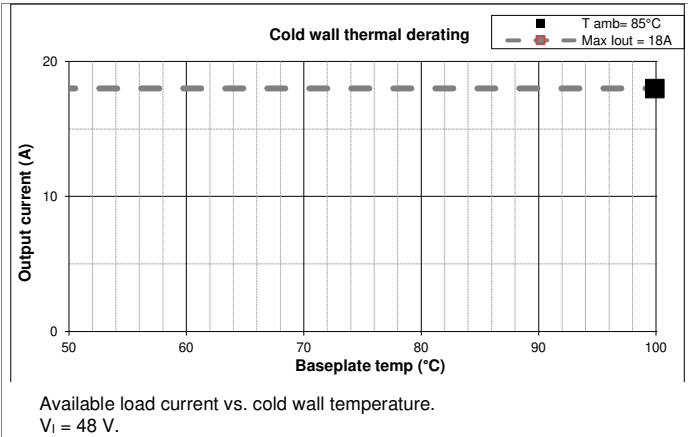
28701-BMR68201 Rev.A November 2019

© Flex

**Typical Characteristics**  
**28 V, 18 A / 504 W**

**PKM4516AD**

**Output Current Derating – Cold wall sealed box**



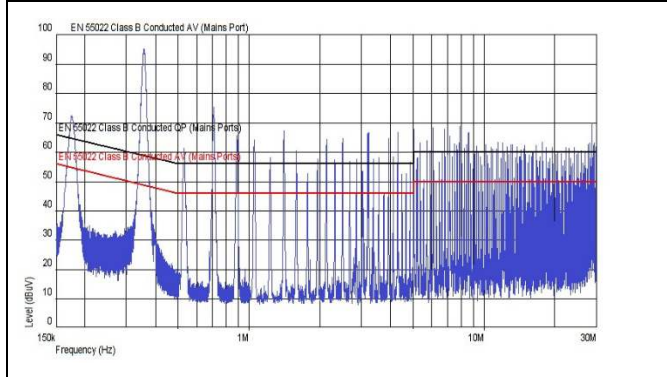
**PKM4516AD Series Fully Regulated DC-DC Converters**  
 Input 36-75 V, Output up to 18 A / 504 W

28701-BMR68201 Rev.A November 2019  
 © Flex

**EMC Specification**

Conducted EMI measured according to EN 55032, CISPR 23 and FCC part 15J (see test set-up). See Design Note 029 for further information. The fundamental switching frequency is 180 kHz at  $V_i = 48\text{ V}$  and max  $I_o$ .

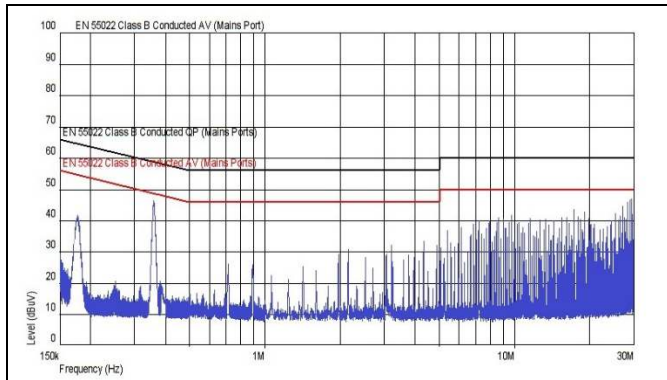
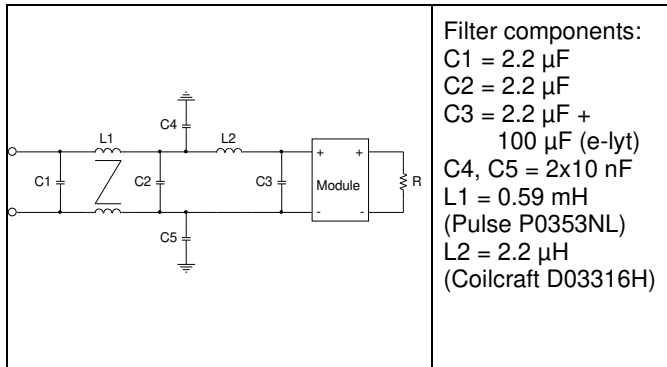
**Conducted EMI Input terminal value (typ)**



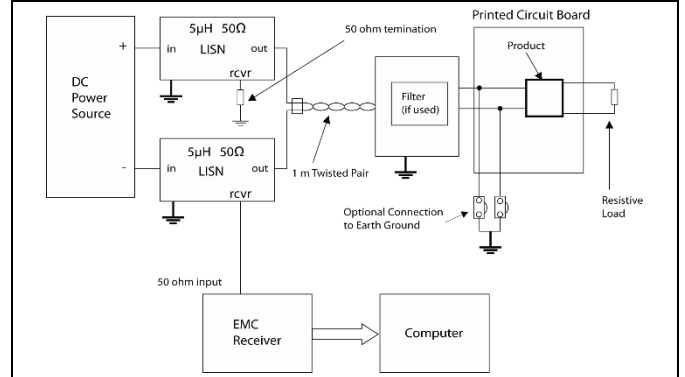
EMI without filter

**Optional external filter for class B**

Suggested external input filter in order to meet class B in EN 55022, CISPR 22 and FCC part 15J.



EMI with filter



Test set-up

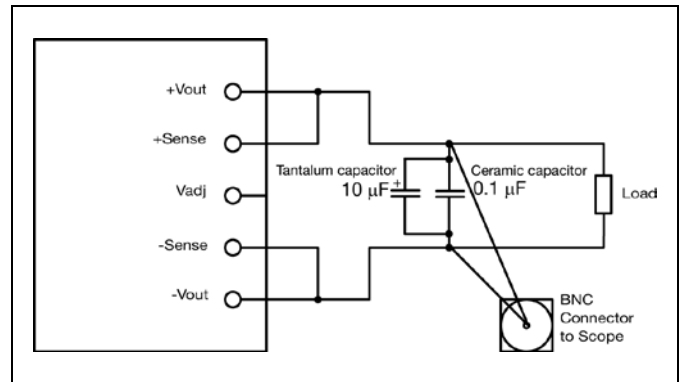
**Layout recommendations**

The radiated EMI performance of the product will depend on the PWB layout and ground layer design. It is also important to consider the stand-off of the product. If a ground layer is used, it should be connected to the output of the product and the equipment ground or chassis.

A ground layer will increase the stray capacitance in the PWB and improve the high frequency EMC performance.

**Output ripple and noise**

Output ripple and noise measured according to figure below. See Design Note 022 for detailed information.



Output ripple and noise test setup

## PKM4516AD Series Fully Regulated DC-DC Converters

Input 36-75 V, Output up to 18 A / 504 W

28701-BMR68201 Rev.A November 2019

© Flex

### Operating information

#### Input Voltage

The input voltage range 36 to 75 Vdc meets the requirements of the European Telecom Standard ETS 300 132-2 for normal input voltage range in -48 and -60 Vdc systems, -40.5 to -57.0 V and -50.0 to -72 V respectively.

At input voltages exceeding 75 V, the power loss will be higher than at normal input voltage and  $T_{P1}$  must be limited to absolute max +125 °C. The absolute maximum continuous input voltage is 80 Vdc.

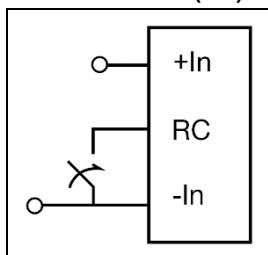
Short duration transient disturbances can occur on the DC distribution and input of the product when a short circuit fault occurs on the equipment side of a protective device (fuse or circuit breaker). The voltage level, duration and energy of the disturbance are dependent on the particular DC distribution network characteristics and can be sufficient to damage the product unless measures are taken to suppress or absorb this energy. The transient voltage can be limited by capacitors and other energy absorbing devices like Zener diodes connected across the positive and negative input conductors at a few strategic points in the distribution network. The end-user must secure that the transient voltage will not exceed the value stated in the Absolute maximum ratings. ETSI TR 100 283 examines the parameters of DC distribution networks and provides guidelines for controlling the transient and reduce its harmful effect.

#### Turn-off Input Voltage

The products monitor the input voltage and will turn on and turn off at predetermined levels.

The minimum hysteresis between turn on and turn off input voltage is 1 V.

#### Remote Control (RC)



The products are fitted with a remote control function referenced to the primary negative input connection (-In), with negative and positive logic options available. The RC function allows the product to be turned on/off by an external device like a semiconductor or mechanical switch.

The RC pin has an internal pull up resistor of 10 kΩ to +5V. The external device must provide a minimum required sink current to guarantee a voltage not higher than maximum voltage on the RC pin (see Electrical characteristics table). When the RC pin is left open, the voltage generated on the RC pin is 5 V.

The standard product is provided with “negative logic” RC and will be off until the RC pin is connected to the -In. To turn off the product the RC pin should be left open, or connected to a voltage higher than 3.3 V referenced to -In. In situations where it is desired to have the product to power up automatically

without the need for control signals or a switch, the RC pin can be wired directly to -In.

The second option is “positive logic” remote control, which can be ordered by adding the suffix “P” to the end of the part number. When the RC pin is left open, the product starts up automatically when the input voltage is applied. Turn off is achieved by connecting the RC pin to the -In. The product will restart automatically when this connection is opened.

See Design Note 021 for detailed information.

#### Input and Output Impedance

The impedance of both the input source and the load will interact with the impedance of the product. It is important that the input source has low characteristic impedance. The products are designed for stable operation with a minimum of 100 μF external capacitors connected to the input. The electrolytic capacitors will be degraded in low temperature and the ESR value may increase. The needed input capacitance in low temperature should be equivalent to 100 μF at 20° C. This means that the input capacitor value may need to be substantially larger to guarantee a stable input at low temperatures. The performance in some applications can be enhanced by addition of external capacitance as described under External Decoupling Capacitors. The minimum required capacitance value depends on the output power and the input voltage. The higher output power the higher input capacitance is needed.

#### External Decoupling Capacitors

When powering loads with significant dynamic current requirements, the voltage regulation at the point of load can be improved by addition of decoupling capacitors at the load. The most effective technique is to locate low ESR ceramic and electrolytic capacitors as close to the load as possible, using several parallel capacitors to lower the effective ESR. The ceramic capacitors will handle high-frequency dynamic load changes while the electrolytic capacitors are used to handle low frequency dynamic load changes. It is equally important to use low resistance and low inductance PWB layouts and cabling.

External decoupling capacitors will become part of the product's control loop. The control loop is optimized for a wide range of external capacitance and the maximum recommended value that could be used without any additional analysis is found in the Electrical specification.

The ESR of the capacitors is a very important parameter. Stable operation is guaranteed with a verified ESR value of >10 mΩ across the output connections.

For further information please contact your local Flex Power Modules representative.

## PKM4516AD Series Fully Regulated DC-DC Converters

Input 36-75 V, Output up to 18 A / 504 W

28701-BMR68201 Rev.A November 2019

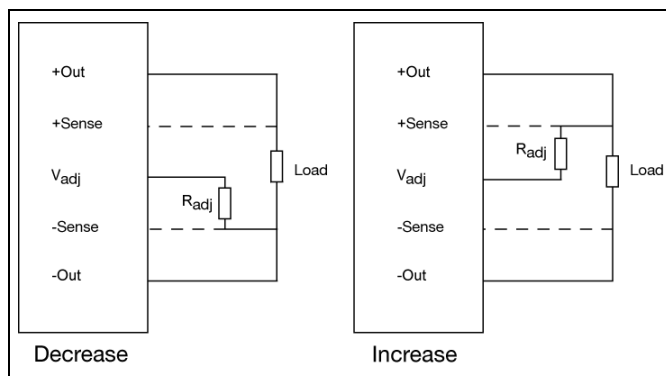
© Flex

### Output Voltage Adjust ( $V_{adj}$ )

The products have an Output Voltage Adjust pin ( $V_{adj}$ ). This pin can be used to adjust the output voltage above or below Output voltage initial setting.

When increasing the output voltage, the voltage at the output pins (including any remote sense compensation) must be kept below the threshold of the over voltage protection, (OVP) to prevent the product from shutting down. At increased output voltages the maximum power rating of the product remains the same, and the max output current must be decreased correspondingly.

To increase the voltage the resistor should be connected between the  $V_{adj}$  pin and +Sense pin. The resistor value of the Output voltage adjust function is according to information given under the Output section for the respective product. To decrease the output voltage, the resistor should be connected between the  $V_{adj}$  pin and -Sense pin.



### Remote Sense

The products have remote sense that can be used to compensate for voltage drops between the output and the point of load. The sense traces should be located close to the PWB ground layer to reduce noise susceptibility. The remote sense circuitry will compensate for up to 10% voltage drop between output pins and the point of load.

If the remote sense is not needed +Sense should be connected to +Out and -Sense should be connected to -Out.

### Over Temperature Protection (OTP)

The products are protected from thermal overload by an internal over temperature shutdown circuit. The product will make continuous attempts to start up (non latching mode) and resume normal operation automatically when the temperature drops below the temperature threshold.

### Over Voltage Protection (OVP)

The products have output over voltage protection that will shut down the product in over voltage conditions. The product will make continuous attempts to start up (non-latching mode) and

resume normal operation automatically after removal of the over voltage condition.

### Over Current Protection (OCP)

The products include current limiting circuitry for protection at continuous overload. The OCP works in a hiccup mode and will make continuous attempts to start up and will resume normal operation automatically after removal of the over current condition. The load distribution should be designed for the specified maximum output short circuit current.

### Pre-bias Start-up

The product has a Pre-bias start up functionality and will not sink current during start up if a pre-bias load is present at the output terminals.

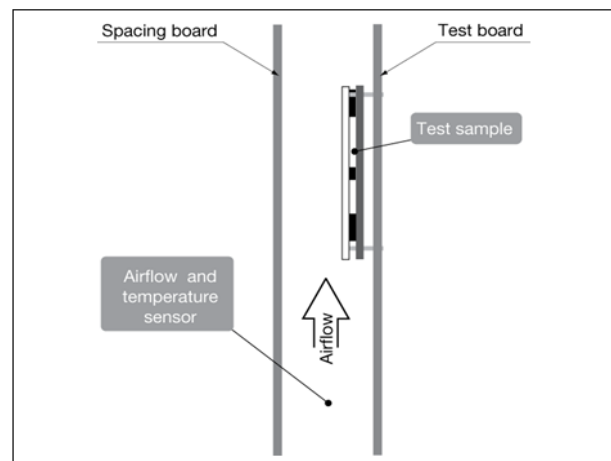
## Thermal Consideration

### General

The products are designed to operate in different thermal environments and sufficient cooling must be provided to ensure reliable operation.

For products mounted on a PWB without a heat sink attached, cooling is achieved mainly by conduction, from the pins to the host board, and convection, which is dependent on the airflow across the product. Increased airflow enhances the cooling of the product.

The product is tested on a 254 x 254 mm, 35  $\mu\text{m}$  (1 oz), 16-layer test board mounted vertically in a wind tunnel with a cross-section of 608 x 203 mm.

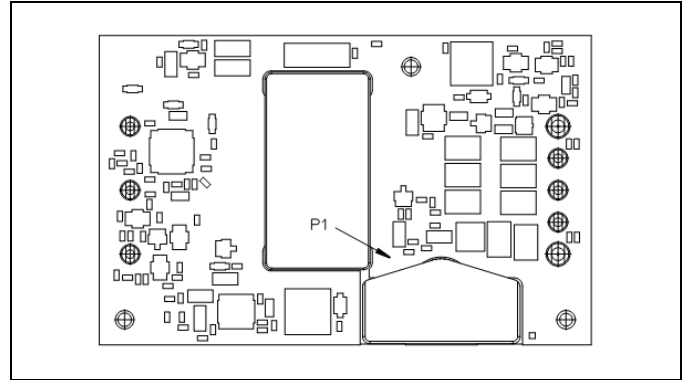
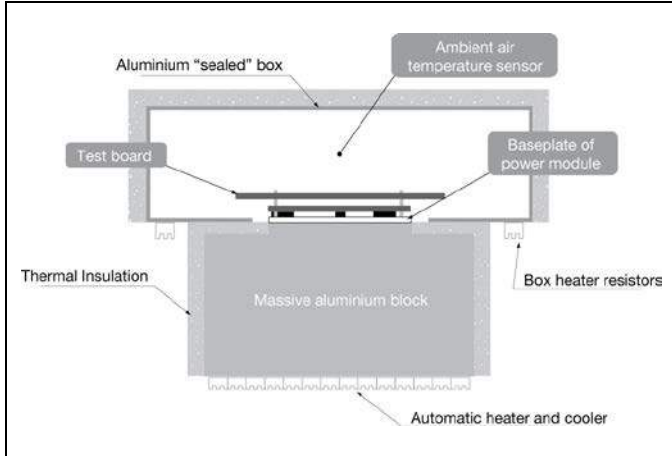


For products with base plate used in a sealed box/cold wall application, cooling is achieved mainly by conduction through the cold wall. The Output Current Derating graphs are found in

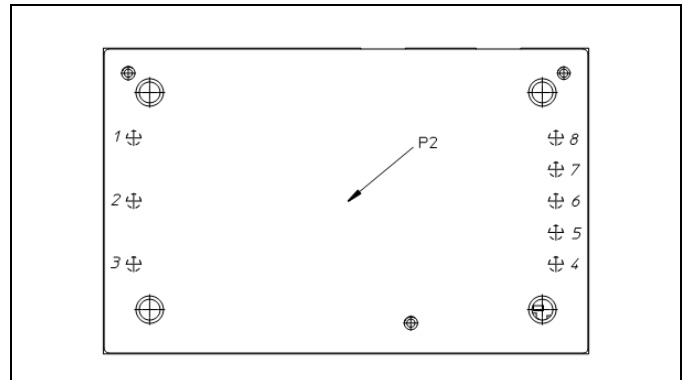
**PKM4516AD Series Fully Regulated DC-DC Converters**  
 Input 36-75 V, Output up to 18 A / 504 W

28701-BMR68201 Rev.A November 2019  
 © Flex

the Output section for each model. The product is tested in a sealed box test set up with ambient temperatures 85 °C. See Design Note 028 for further details.



Reference point on pin side



Reference point on top side

**Definition of product operating temperature**

The product operating temperatures is used to monitor the temperature of the product, and proper thermal conditions can be verified by measuring the temperature at positions P1 and P2. The temperature at these positions ( $T_{P1}$ ,  $T_{P2}$ ) should not exceed the maximum temperatures in the table below. The number of measurement points may vary with different thermal design and topology. Temperatures above maximum  $T_{P1}$ , measured at the reference point P1 are not allowed and may cause permanent damage.

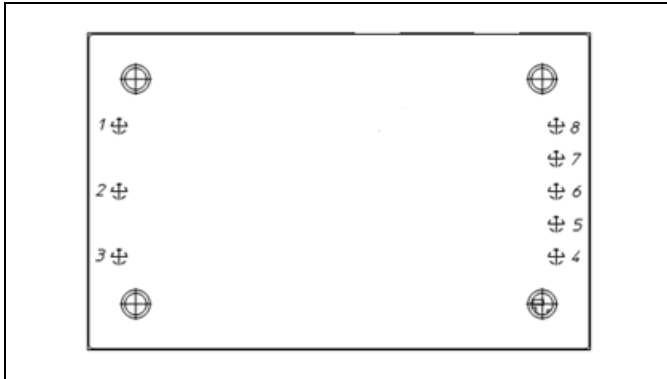
Position	Description	Max Temp.
P1	PCB Pin side	$T_{P1}=125^{\circ}\text{C}$
P2	Base plate	$T_{P2}=100^{\circ}\text{C}$

**PKM4516AD Series** Fully Regulated DC-DC Converters  
 Input 36-75 V, Output up to 18 A / 504 W

28701-BMR68201 Rev.A November 2019

© Flex

## Connections



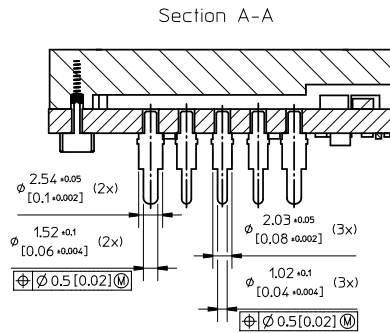
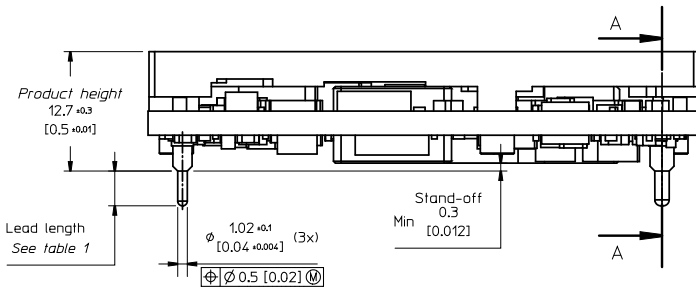
Top side

Pin	Designation	Function
1	+In	Positive input
2	RC	Remote control
3	-In	Negative Input
4	-Out	Negative output
5	-Sense	Negative Remote Sense
6	V <sub>adj</sub>	Output voltage adjust
7	+Sense	Positive remote sense
8	+Out	Positive output

**PKM4516AD Series Fully Regulated DC-DC Converters**  
 Input 36-75 V, Output up to 18 A / 504 W

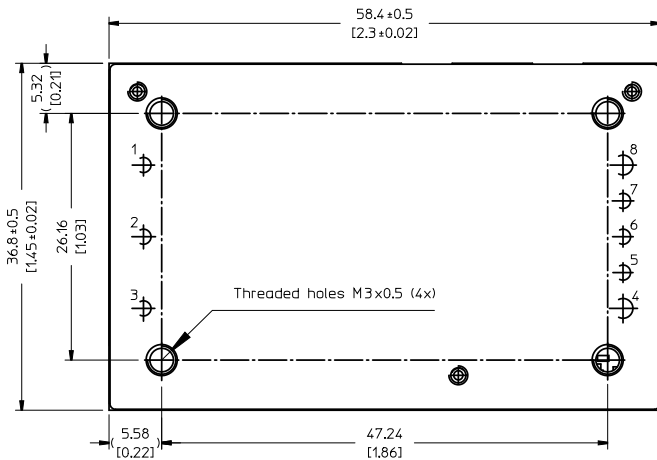
28701-BMR68201 Rev.A November 2019  
 © Flex

**Mechanical Information - Hole Mount, Baseplate Version**

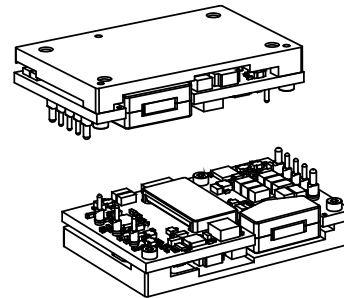
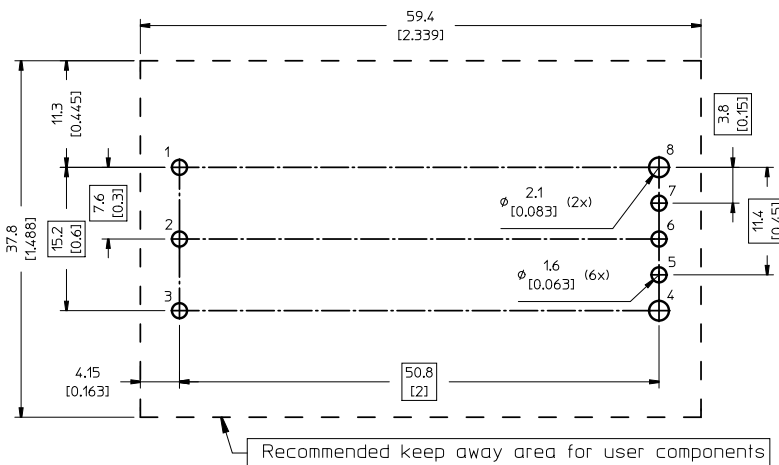


TOP VIEW

Pin positions according to recommended footprint



Recommended Footprint - TOP VIEW



Pin option	Lead length
Standard	5.33
LA	3.69
LB	4.57

Table 1. Pin options

**PIN SPECIFICATIONS**

Pin 1-8 Material: Copper alloy  
 Plating: Min 0.1  $\mu$ m Au over 1-3  $\mu$ m Ni.

**CASE**

Material: Aluminium  
 For screw attached apply mounting torque of max 0.44 Nm [3.9lbf].  
 M3 screws must not protrude more than 3.3 mm [0.13] into the baseplate.

Recommended hole dimensions are only for reference. It is the end users decision based on different situations like production processes, substrate thickness etc.

Weight: Typical 67 g  
 All dimensions in mm [inch]  
 Tolerances unless specified:  
 x.x  $\pm$ 0.50 [0.02]  
 x.xx $\pm$ 0.25 [0.01]  
 (not applied on footprint or typical values)



**PKM4516AD Series Fully Regulated DC-DC Converters**  
 Input 36-75 V, Output up to 18 A / 504 W

28701-BMR68201 Rev.A November 2019  
 © Flex

**Soldering Information - Hole Mounting**

The hole mounted product is intended for plated through hole mounting by wave or manual soldering. The pin temperature is specified to maximum to 270°C for maximum 10 seconds.

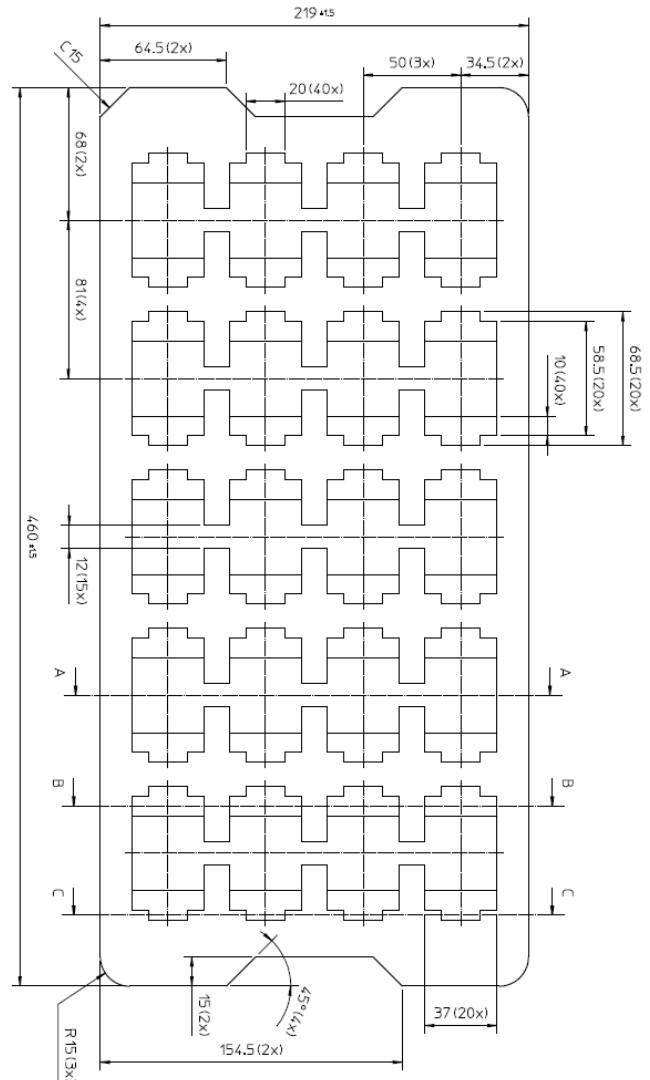
A maximum preheat rate of 4°C/s and maximum preheat temperature of 150°C is suggested. When soldering by hand, care should be taken to avoid direct contact between the hot soldering iron tip and the pins for more than a few seconds in order to prevent overheating. Preheating of the product is preferable.

A no-clean flux is recommended to avoid entrapment of cleaning fluids in cavities inside the product or between the product and the host board. The cleaning residues may affect long time reliability and isolation voltage.

**Delivery Package Information**

The products are delivered in antistatic trays.

Tray Specifications	
<b>Material</b>	PE Foam
<b>Surface resistance</b>	$10^5 < \text{Ohm/square} < 10^{11}$
<b>Bakability</b>	The trays cannot be baked
<b>Tray capacity</b>	20 converters/tray
<b>Box capacity</b>	60 products (3 full tray/box)
<b>Tray weight</b>	Product – Baseplate Version 70 g empty, 1410 g full tray





**PKM4516AD Series Fully Regulated DC-DC Converters**  
 Input 36-75 V, Output up to 18 A / 504 W

28701-BMR68201 Rev.A November 2019

© Flex

**Product Qualification Specification**

Characteristics			
External visual inspection	IPC-A-610		
Change of temperature (Temperature cycling)	IEC 60068-2-14 Na	Temperature range Number of cycles Dwell/transfer time	-40 to 100°C 1000 15 min/0-1 min
Cold (in operation)	IEC 60068-2-1 Ad	Temperature T <sub>A</sub> Duration	-45°C 72 h
Damp heat	IEC 60068-2-67 Cy	Temperature Humidity Duration	85°C 85 % RH 1000 hours
Dry heat	IEC 60068-2-2 Bd	Temperature Duration	125°C 1000 h
Electrostatic discharge susceptibility	IEC 61340-3-1, JESD 22-A114 IEC 61340-3-2, JESD 22-A115	Human body model (HBM) Machine Model (MM)	Class 2, 2000 V Class 3, 200 V
Immersion in cleaning solvents	IEC 60068-2-45 XA, method 2	Water Glycol ether	55°C 35°C
Mechanical shock	IEC 60068-2-27 Ea	Peak acceleration Duration	100 g 6 ms
Operational life test	MIL-STD-202G, method 108A	Duration	1000 h
Resistance to soldering heat	IEC 60068-2-20 Tb, method 1A	Solder temperature Duration	270°C 10-13 s
Robustness of terminations	IEC 60068-2-21 Test Ua1	Through hole mount products	All leads
Solderability	IEC 60068-2-20 test Ta	Preconditioning Temperature, Pb-free	Steam ageing 245°C
Vibration, broad band random	IEC 60068-2-64 Fh, method 1	Frequency Spectral density Duration	10 to 500 Hz 0.07 g <sup>2</sup> /Hz 10 min in each direction