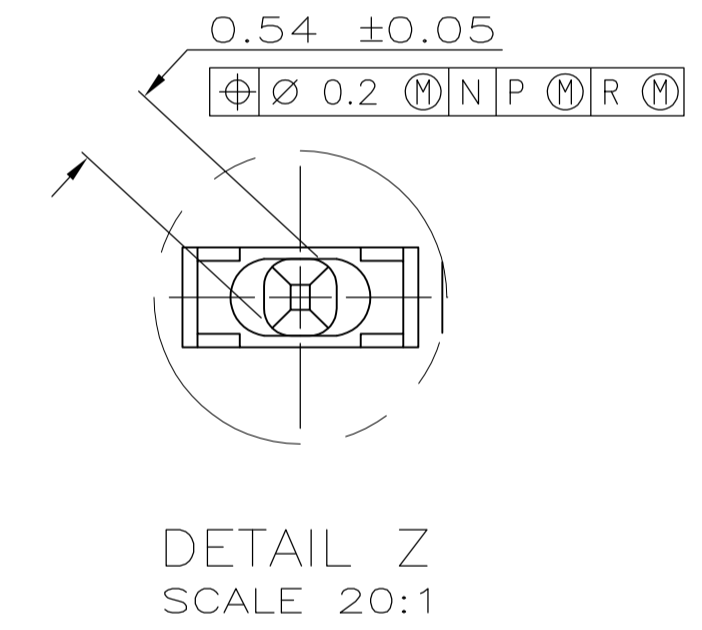


- △ HOUSING MATERIAL: LIQUID CRYSTAL POLYMER PER ASTM D5138 LCP000 G30A 32250, COLOR: NATURAL.
- △ CONTACT MATERIAL: PHOSPHOR BRONZE.
- △ CONTACT FINISH:
 UNDERPLATE (ENTIRE CONTACT):
 0.00127 MIN NICKEL.
 ON MATING SURFACES:
 CONFORMS TO ALL TESTING SPECIFIED FOR TELCORDIA UNCONTROLLED ENVIRONMENT.
 ON LEADS
 0.0006 MIN TIN-LEAD OVER UNDERPLATE.
 LUBRICATION (ENTIRE CONTACT):
 SURFACE CONDITIONER PER AMP SPEC 112-1002 AFTER PLATING.
- △ PART MARKING PER AMP INCORPORATED SPECIFICATION 115-9009, LOCATED APPROXIMATELY AS SHOWN.
- △ DIMENSION APPLIES WHEN SEATED ON PRINTED CIRCUIT BOARD.
- △ OBSOLETE PARTS: OBSOLETE CIS STREAMLINING PER D.RENAUD/D.SINISI



OBSOLETE	4.25	34	17	35.88	△	72	1-536504-2
△	4.25	130	65	131.88	△	264	1-536504-1
OBSOLETE	4.25	106	53	107.88	△	216	1-536504-0
△	4.25	118	59	119.88	△	240	536504-9
OBSOLETE	4.25	70	35	71.88	△	144	536504-8
OBSOLETE	4.25	66	33	67.88	△	136	536504-7
OBSOLETE	4.25	58	29	59.88	△	120	536504-6
△	4.25	82	41	83.88	△	168	536504-5
OBSOLETE	4.25	94	47	95.88	△	192	536504-4
	4.25	46	23	47.88	△	96	536504-3
	4.25	22	11	23.88	△	48	536504-2
OBSOLETE	4.25	10	5	11.88	△	24	536504-1

RECOMMENDED CIRCUIT PATTERN PER IPC-D300 TYPE II, CLASS C (COMPONENT SIDE)

THIS DRAWING IS A CONTROLLED DOCUMENT.

DIMENSIONS: INCHES	TOLERANCES UNLESS OTHERWISE SPECIFIED:	DRAWN: D.R.BENDER 10/27/92	CHK: D.BAECHTLE 02/18/93	TE Connectivity	
0 PLC ± -	1 PLC ± -	NAME: PIN ASSEMBLY, SIGNAL MODULE, Z-PACK 2mm FB, 2mm		SIZE: A1	RESTRICTED TO: -
2 PLC ± .13	3 PLC ± -	PRODUCT SPEC: -		WEIGHT: -	CUSTOMER DRAWING
4 PLC ± -	ANGLES ± -	APPLICATION SPEC: -		DRAWING NO: 00779	SCALE: 4:1
MATERIAL: △	FINISH: △	DRAWING NO: 00779		CAGE CODE: -	SHEET 1 OF 1
		DRAWING NO: 00779		REV: -	REV: V