



Terminals & Splices > Quick Disconnects

Quick Disconnect Terminal Type: **Tab**Wire Size: **.51 – 1.03 mm²**Mating Tab Width: **2.8 mm [.11 in]**Mating Tab Thickness: **.81 mm [.032 in]**

Features

Contact Features

Quick Disconnect Terminal Type	Tab
Mating Tab Width	2.8 mm [.11 in]
Mating Tab Thickness	.81 mm [.032 in]
Terminal Orientation	Straight
Contact Base Material	Brass
Terminal Plating Material	Tin
Crimp Type	F-Crimp
Barrel Type	Open

Mechanical Attachment

Wire Insulation Support	With
-------------------------	------

Dimensions

Terminal Material Thickness	.41 mm [.016 in]
Compatible Insulation Diameter Range	1.4 – 2.7 mm [.055 – .106 in]
Wire Size	.51 – 1.03 mm ²



Usage Conditions

Insulation Option	Uninsulated
Operating Temperature Range	90 °C[194 °F]

Packaging Features

Packaging Quantity	15000
Packaging Method	Reel

Product Compliance

[For compliance documentation, visit the product page on TE.com>](#)

EU RoHS Directive 2011/65/EU	Compliant
EU ELV Directive 2000/53/EC	Compliant
China RoHS 2 Directive MIIT Order No 32, 2016	No Restricted Materials Above Threshold
EU REACH Regulation (EC) No. 1907/2006	Current ECHA Candidate List: JUNE 2023 (235) Candidate List Declared Against: JUNE 2022 (224) Does not contain REACH SVHC
Halogen Content	Low Halogen - Br, Cl, F, I < 900 ppm per homogenous material. Also BFR/CFR/PVC Free
Solder Process Capability	Not applicable for solder process capability

Product Compliance Disclaimer

This information is provided based on reasonable inquiry of our suppliers and represents our current actual knowledge based on the information they provided. This information is subject to change. The part numbers that TE has identified as EU RoHS compliant have a maximum concentration of 0.1% by weight in homogenous materials for lead, hexavalent chromium, mercury, PBB, PBDE, DBP, BBP, DEHP, DIBP, and 0.01% for cadmium, or qualify for an exemption to these limits as defined in the Annexes of Directive 2011/65/EU (RoHS2). Finished electrical and electronic equipment products will be CE marked as required by Directive 2011/65/EU. Components may not be CE marked. Additionally, the part numbers that TE has identified as EU ELV compliant have a maximum concentration of 0.1% by weight in homogenous materials for lead, hexavalent chromium, and mercury, and 0.01% for cadmium, or qualify for an exemption to these limits as defined in the Annexes of Directive 2000/53/EC (ELV). Regarding the REACH Regulation, the information TE provides on SVHC in articles for this part number is based on the latest European Chemicals Agency (ECHA) 'Guidance on requirements for substances in articles' posted at this URL: <https://echa.europa.eu/guidance-documents/guidance-on-reach>

Compatible Parts




TE Part # 2-2150841-2
OCEAN-2.0-APPLICATOR-E-080F130FA



TE Part # 2150841-2
OCEAN-2.0-APPLICATOR-E-080F130FA




TE Part # 7-2150841-2
OC-AT-E-FA-080F130F-001-0034




TE Part # 7-2150841-7
OCEAN_2.0_SPARE_PART_KIT-080F130F

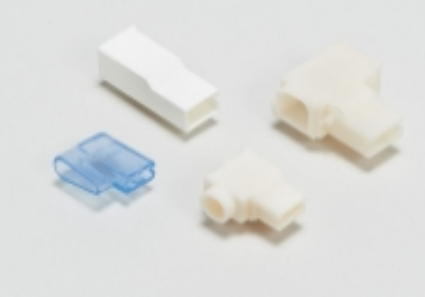
Also in the Series | FASTIN-FASTON 110




Automotive Housings(6)




Automotive Terminals(6)



Crimp Terminal Housings(34)



Insertion & Extraction Tools(3)



Quick Disconnects(83)

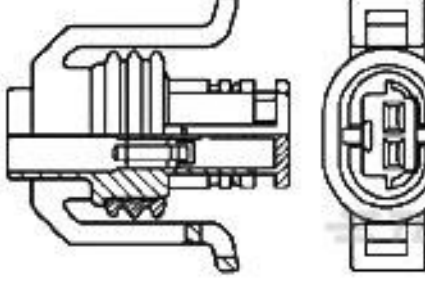
Customers Also Bought



TE Part #880645-6
PL REC 1.0-2.5MM2 0.40 X 52.32 PTPBR



TE Part #282438-1
MINI MIC SRS REC CONT HYBRD



TE Part #444040-2
HSG ASSY 2POS MULTI



TE Part #626328-2
FF 250 RECEPTACLE 4.0-6.0 MM2 TPBR



TE Part #880636-2
FF 250 TAB 1.0-2.5 MM2 0.39 X 13.2 TPBR



TE Part #735075
250 FASTON HSG. REC. 1P CLEAR



TE Part #880309-1
1 WAY FF 250 HOUSING TAB NYLON 6.6 NAT



TE Part #735222-2
FF 250 REC 1.0-2.5 MM2 0.32X 19.30 BR



Documents

Product Drawings

[FF 110 TAB 0.5-1.0 MM2 TPBR](#)

English

CAD Files

[3D PDF](#)

3D

Customer View Model

[ENG_CVM_CVM_881719-2_B2.2d_dxf.zip](#)

English

Customer View Model

[ENG_CVM_CVM_881719-2_B2.3d_igs.zip](#)

English

Customer View Model

[ENG_CVM_CVM_881719-2_B2.3d_stp.zip](#)

English

By downloading the CAD file I accept and agree to the [Terms and Conditions](#) of use.

Product Specifications

[Application Specification](#)

English

[FASTIN-FASTON 110, 187, 205 And 312 Series Receptacle Contacts](#)

English