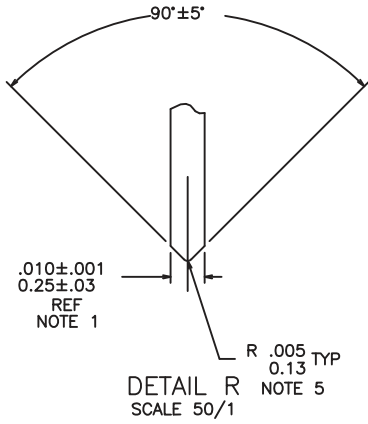
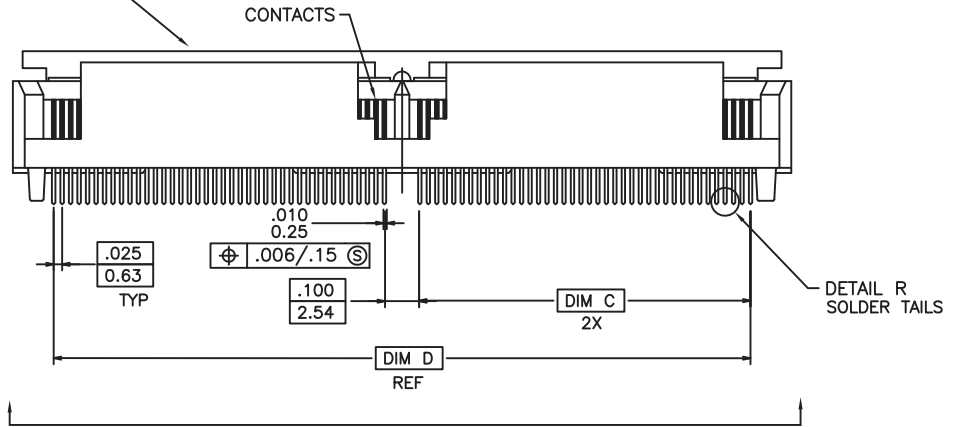
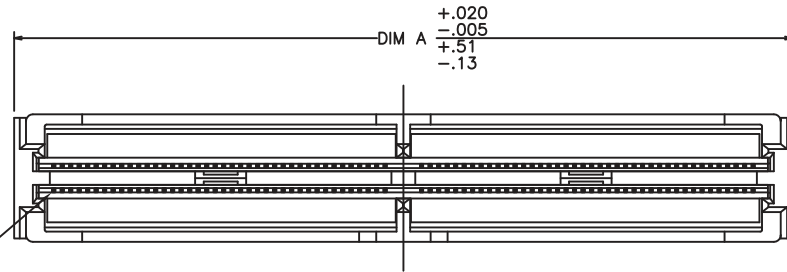
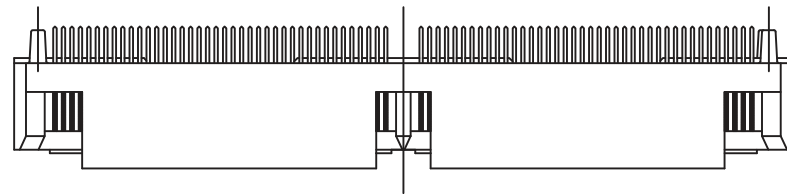
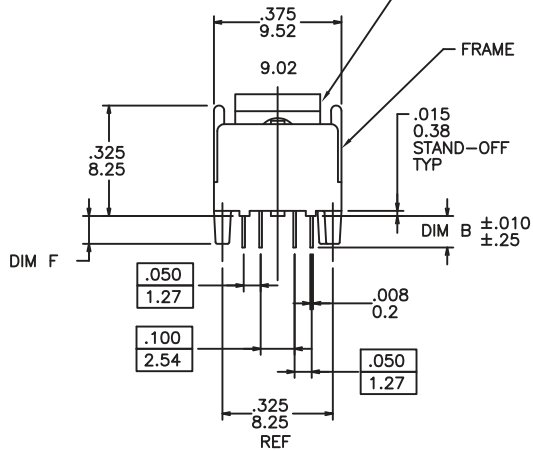


PRODUCT NO.
SEE TABLE



OPTIONAL PROTECTIVE DUST COVER
OUTSIDE PROFILE SHOWN ONLY
NOTE 4



VIEW K (SHEET 2)



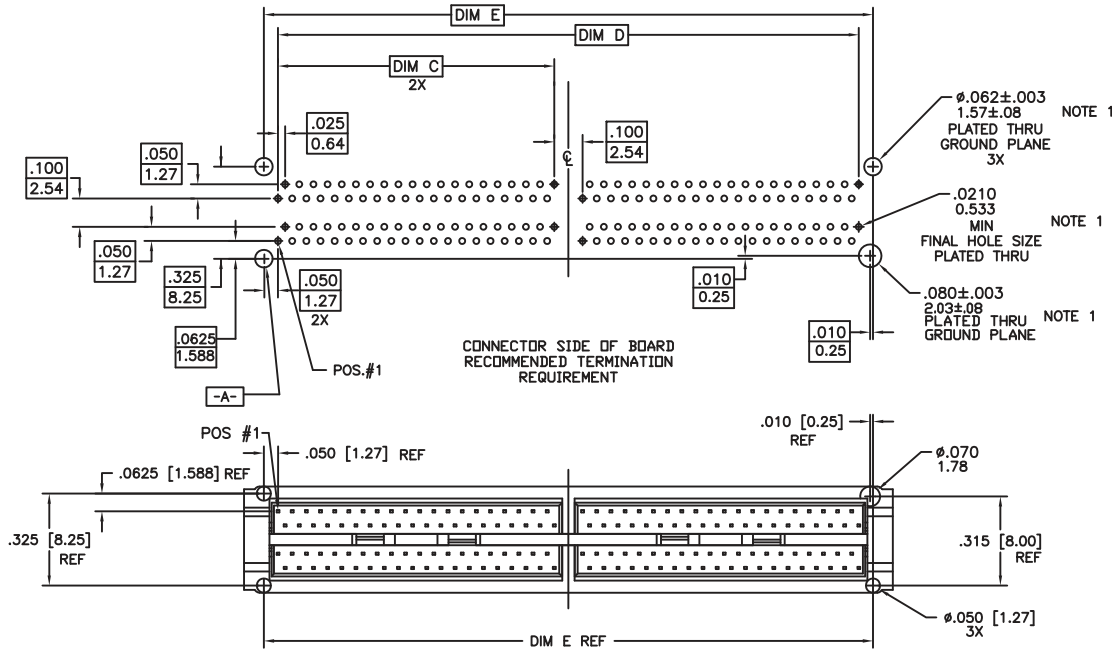
FCIconnect.com

Copyright FCI

mat'l. code		surface ISO 1302 ✓		tolerance ISO 406 ISO 1101		projection ⊕		product family MICROPAX	
ltr		ecn no		date		tolerances unless otherwise specified		title	
K	V31907	MRC	11/4/93	angles	linear	.XX±.01/.3	INCH/MM	MICROPAX .025M VERT. PLUG DOUBLE MODULE	
L	V32226	MRC	12/22/93	0°±2'		.xxx±.005/.13	scale 1:1	dwg no	
M	V71417	MAP	10/6/97			.xxxx±.0020/.051		sheet 1 of 2 size	
N	V12555	CRG	11/8/01	dr	L.POTTEIGER	4/16/91	FCI	89649	
P	V20402	MEM	3/12/02	enr	T.LEMKE	4/16/91		A3	
R	M06-0222	AGS	6/9/06	chr	T.LEMKE	4/16/91		type Product Customer Drawing	
sheet index		revision		R		R			
sheet		sheet		1		2			

PRODUCT NO	NO. OF CONTACTS	DIM A	DIM B	DIM C	DIM D	DIM E	DIM F	BOARD THICKNESS	DUST CAP
89649-001	160	2.290/58.17	.092/2.34	.975/24.76	2.050/52.07	2.150/54.61	.082/2.08	.062/1.58	NO
89649-002			.155/3.94				.144/3.66		

NOTE 3



BOTTOM VIEW K

NOTES:

- ALL BOARD HOLES $\varnothing \ .006/.15 \text{ } \textcircled{A} \text{ } \textcircled{S}$
- MATERIALS:
DIELECTRIC: LCP
CONTACTS: PHOS BRZ
FRAME: ZINC ALLOY #3
- PLATING:
SOLDER TAILS: 150u"/3.81um Sn Pb
FRAME: 100u"/2.54um Ni
CONTACT: 30u"/.76um GXT OVER 50u"/1.27um Ni

LEAD FREE PLATING:
SOLDER TAILS: 150u"/3.81um Sn
FRAME: 100u"/2.54um Ni
CONTACT: 30u"/.76um GXT OVER 50u"/1.27um Ni
- ADD "LF" SUFFIX AT THE END OF PART NUMBER FOR LEAD FREE OPTION.
- IF "LF" P/N THE PRODUCT MEETS EUROPEAN UNION DIRECTIVES AND OTHER COUNTRY REGULATION AS DIRECTIVES AND OTHER COUNTRY REGULATION AS
- DO NOT REMOVE OPTIONAL PROCESSING CAP UNTIL SOLDERING IS COMPLETED.
- .002/.05 MAX BURR PERMITTED.



FCIconnect.com

Copyright FCI

mat'l. code		surface ISO 1302	tolerance ISO 406 ISO 1101	projection $\varnothing \ \triangleleft$	product family MICROPAX
ltr	ecn	no	dr	date	tolerances unless otherwise specified
R					angles linear .XX±.01/.3 .xxx±.005/.13 .xxxx±.0020/.051
					0°±2'
			dr	L.POTTEIGER	4/16/91
			enr	T.LEMKE	4/16/91
			chr	T.LEMKE	4/16/91
			appd	T.LEMKE	4/16/91
sheet index	revision sheet				



title
MICROPAX .025M VERT.
PLUG DOUBLE MODULE

scale 1:1

dwg no 89649 sheet 2 of 2 size A3

type Product Customer Drawing