

(M) 5ML1
ISSUE 6

MICRO SWITCH

A DIVISION OF MINNEAPOLIS-HONEYWELL REGULATOR COMPANY
FREEPORT, ILLINOIS
FED. MFR. CODE 91929

SWITCH - ENCLOSED

5ML1 S

3ML1

MI
NUMBER

13
10
8

IONS
8520

11247
B. 58

2789
F. 58

38549

287

R 93

REPLACES

RELEASE NO.

C.N.T. 19 OCT. 56

CHECK

13 OCT. 56

J.W.M.

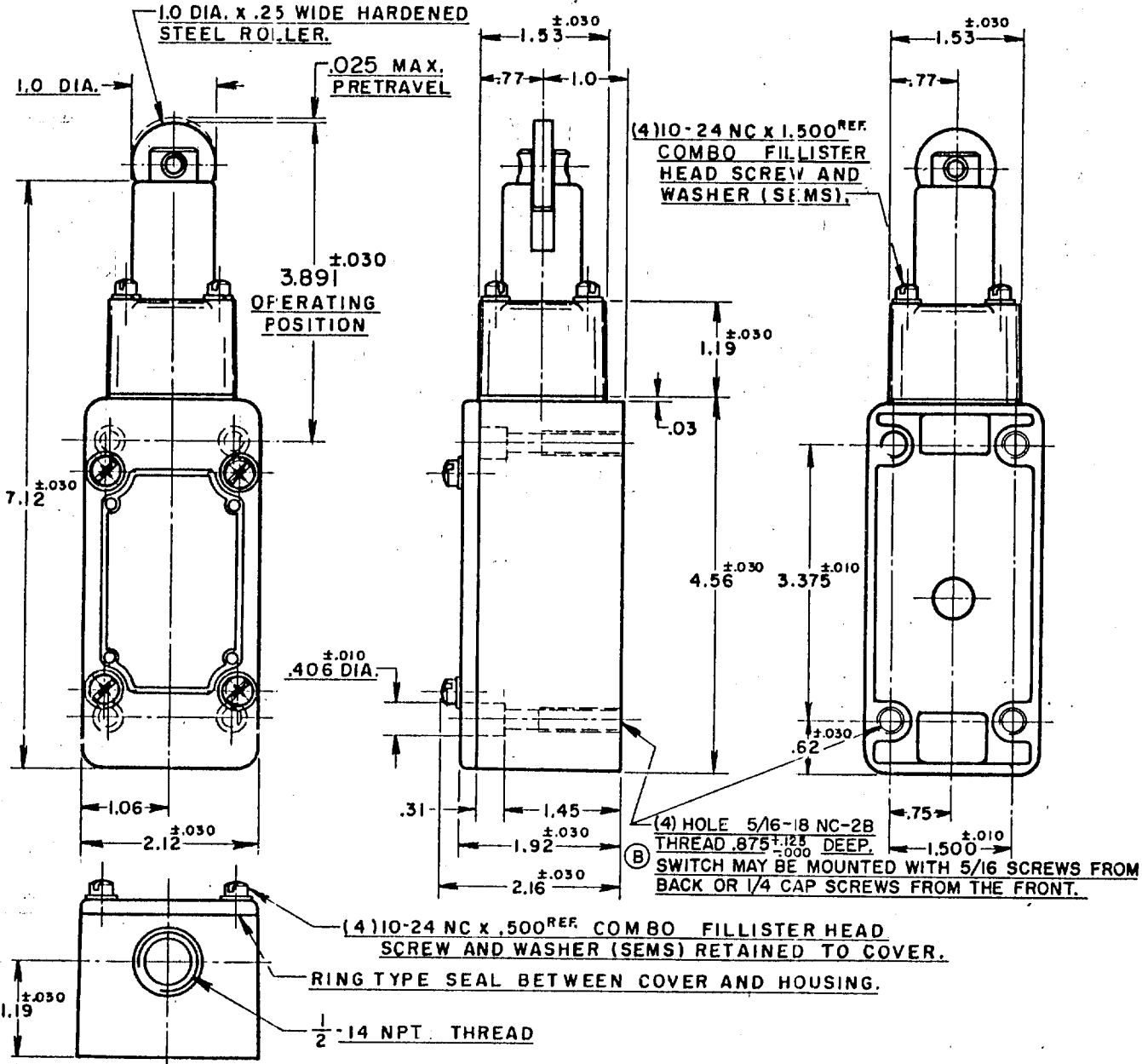
CHECK

56

G.C.H. 24 OCT. 56

CHECK

12 OCT. 56
R. L. Z.



CHARACTERISTICS (TENTATIVE)	
OPERATING FORCE	--- 6 LBS. APPROX.
RELEASE FORCE	--- 4 LBS. APPROX.
DIFFERENTIAL TRAVEL	--- .005 MAX.
OVERTRAVEL	--- .500 MIN.
SWITCH - BASIC REPLACEMENT	--- 1MK1

ELECTRICAL DATA	
CONTACT ARRANGEMENT	S. P. D. T.
20 A-120, 240, 480 OR 600 VAC; 3/4 HP-120VAC, 1 1/2 H.P.-240 VAC; 1/2 A-115 VDC; 1/4 A-230 VDC PILOT DUTY RATING: 600 VAC MAX.	

SCALE 1/2 TO 1	
DO NOT SCALE PRINT	
UNLESS OTHERWISE SPECIFIED	
DIMENSIONS ARE IN INCHES	
TOLERANCES ARE:	
ONE PLACE	(.0) ±.030
TWO PLACE	(.00) ±.015
THREE PLACE	(.000) ±.005
ANGLES	±
WEIGHT	

