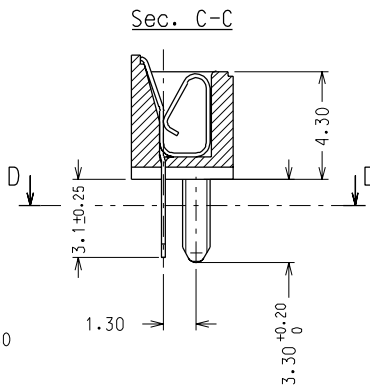
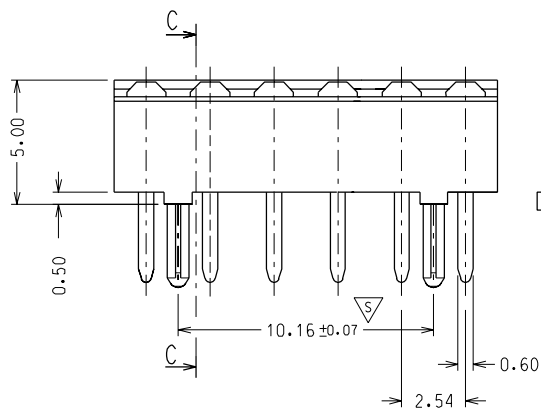
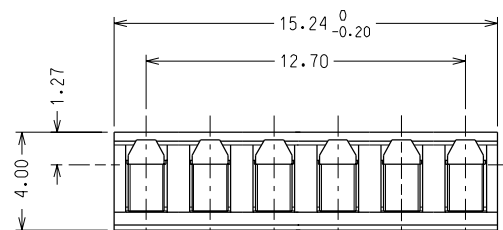
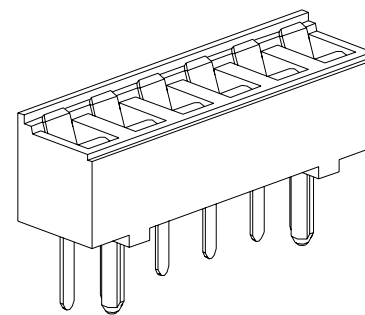
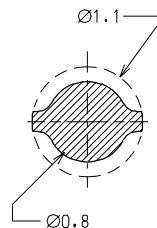


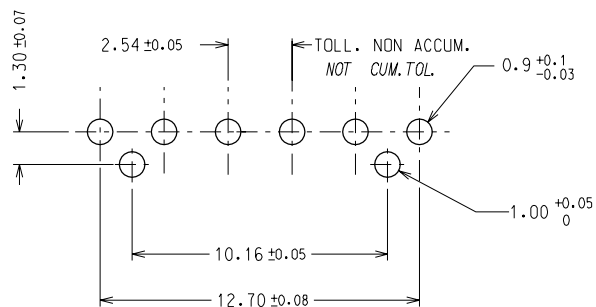
STYLE 3



Sec. D-D
Scale 20:1



FORATURA RACCOMANDATA SUL C.S.
RECOMMENDED PCB LAYOUT



- *) Insertion force into the PCB = 10 N max.
- *) Retention force in the PCB = 1 N min.
- *) Insertion force = 3.4 N/contact max. ∇

MATERIAL:
HOUSING: BLACK PBT, 30% G.F. UL 94 V 0
CONTACTS: PHOSPHOR BRONZE, 0.15 mm THICK
FINISH: PRETINNED

PKG: IN TUBES
SPQ 6300 PCS

FORD P/N= 98AP-18B921-CD

STD. DESCR.: "SIP SOCKET W/PEGS (insert circuit number) CKT"

EC NO. Z2002-0018 DRWN: S. BARBERI 29-08-01 CHK: M. TESTAGUZZA 29-08-01 APPR: R. MARTUCCI 29-08-01	QUALITY SYMBOLS MAJOR ∇ M = SIGNIF. ∇ S = 1 CRITICAL ∇ C =	GENERAL TOLERANCES: (UNLESS SPECIFIED)		SCALE 5:1	DESIGN UNITS <input checked="" type="checkbox"/> mm <input type="checkbox"/> INCH	DIMENSIONS: <input type="checkbox"/> mm <input type="checkbox"/> INCH <input checked="" type="checkbox"/> mm ONLY	SHT REV		
		DRAWN BY & DATE E. FASOLO 14-04-97		CHECKED BY & DATE S. SORATO 14-04-97		TITLE: 6 CKT "SINGLE IN LINE" SOCKET WITH PEGS FOR FORD			
		APPROVED BY & DATE M. PREVIATO 14-04-97		CAD FILENAME		MATERIAL NO. 94100-0406		DRAWING NO. SD-94100-005	
		DRAFT WHERE APPLICABLE MUST REMAIN WITHIN DIMENSIONS		ANGULAR: \pm $^{\circ}$		MOLEX INCORPORATED		SHEET NO. 1/1	
THIS DRAWING CONTAINS INFORMATION THAT IS PROPRIETARY TO MOLEX INCORPORATED AND SHOULD NOT BE USED WITHOUT WRITTEN PERMISSION.		SIZE A3							