

THIS DRAWING IS UNPUBLISHED.

RELEASED FOR PUBLICATION

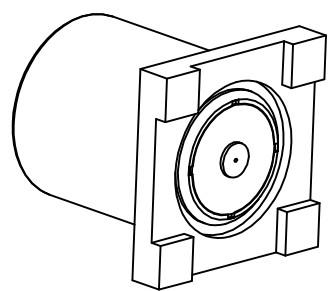
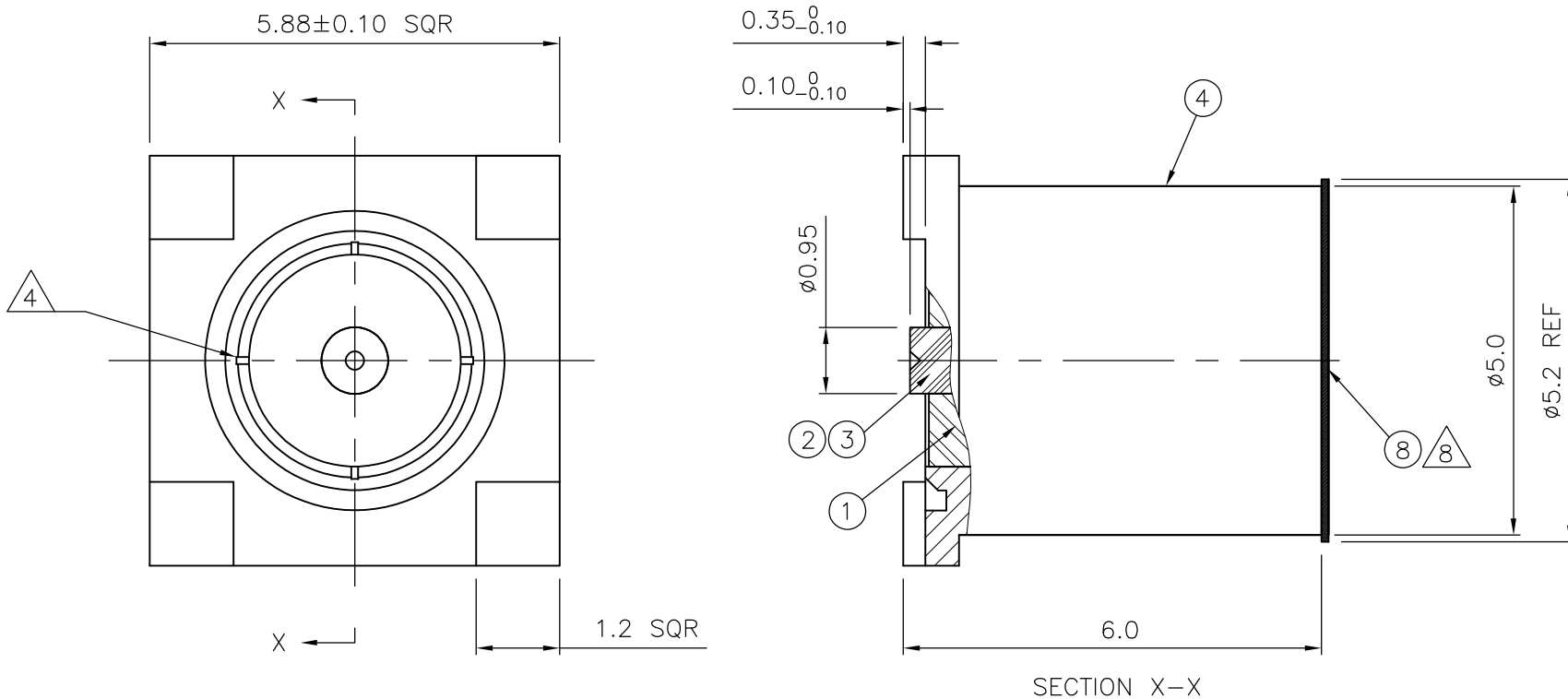
ALL RIGHTS RESERVED.

© COPYRIGHT - By -

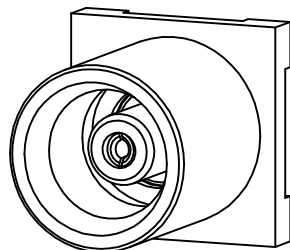
LOC	DIST	REVISIONS			
P	LTR	DESCRIPTION	DATE	DWN	APVD
E	B				
	D	ECO-13-010895	17JUN2014	RZ	MC

NOTES:

- 1 PACKAGE ONE COMPLETE CONNECTOR IN HEAT SEALED, LABELED BAG. LABELED PER TEC-107-115
- 2 TAPE AND REEL PACKAGING OPTION AS PER NOTES 13 AND 14
- 3 0.1-0.2µm Au PLATING
- 4 FOUR POINT INDENT STAGGERED 90° ON RADIUS
- 5 0.8µm Au PLATING
- 6. DIELECTRIC MUST WITHSTAND A 10 N AXIAL RETENTION FORCE AFTER INDENT
- 7. COAX CONNECTOR CONFORMS WITH SPEC CECC 22220
- 8 KAPTON CAP SHOWS JUST FOR 6-1337582-0



SCALE 5:1



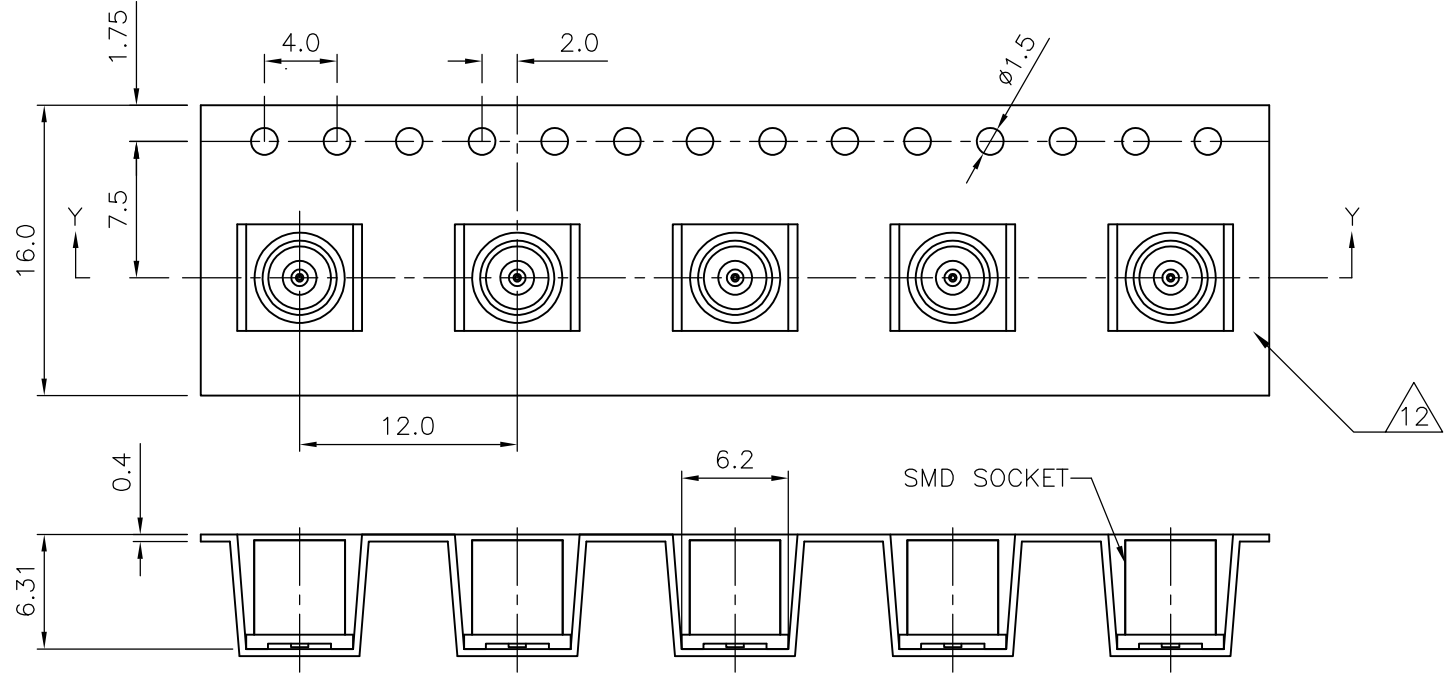
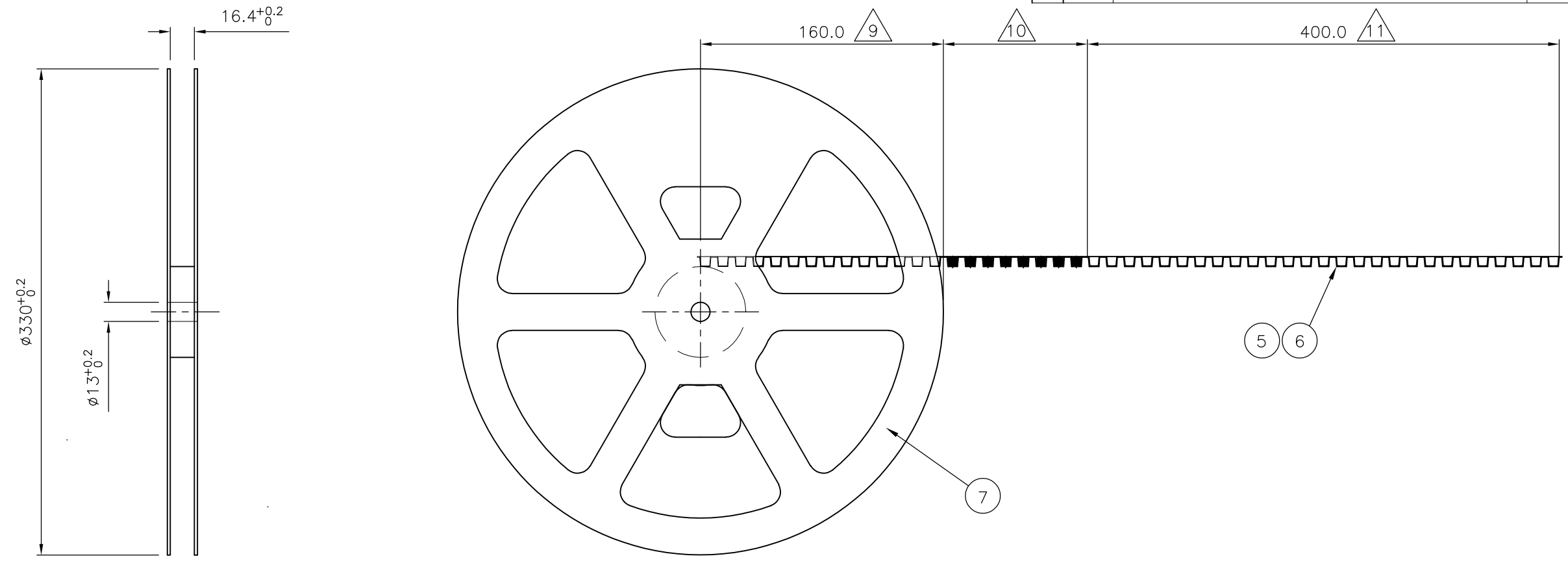
SCALE 5:1

QTY	PLC	PLC	PLC	MATERIAL	DESCRIPTION	ITEM No
-	1	-	-	PLOYIMIDE GREEN	KAPTON GREEN CAP	8
1	1	-	-	POLYSTRENE REGRIND BLACK	REEL 13"	7
1	1	-	-	PET TRANSPARENT	COVER BELT FOR BLISTER BELT	6
1	1	-	-	POLYSTRENE VOLUME CONDUCTIVE	BLISTER BELT	5
1	1	1	1	BRASS	BODY	4
1	-	1	-	PHOSPHOR BRONZE	FEMALE CONTACT	3
-	1	-	1	PHOSPHOR BRONZE	FEMALE CONTACT	2
1	1	1	1	PTFE	DIELECTRIC	1
6--1	6--0	1--1	1--0			
2	2	1	1			

THIS DRAWING IS A CONTROLLED DOCUMENT.		DWN J.SANDWELL 10NOV2004	TE Connectivity	
		CHK S.PARLOW 10NOV2004		
DIMENSIONS: mm		APVD F.WHEELER-KING 10NOV2004	NAME MCX SMD PCB SOCKET	
TOLERANCES UNLESS OTHERWISE SPECIFIED:		PRODUCT SPEC 108-3640		
0 PLC ± - 1 PLC ± 0.5 2 PLC ± 0.13 3 PLC ± 0.013 4 PLC ± 0.0001 ANGLES ± -		APPLICATION SPEC -	SIZE A3	CAGE CODE 00779
MATERIAL SEE TABLE		FINISH -	DRAWING NO C-1337582	RESTRICTED TO -
CUSTOMER DRAWING			SCALE 10:1	SHEET 1 OF 2
			REV D	

THIS DRAWING IS UNPUBLISHED. RELEASED FOR PUBLICATION  
 © COPYRIGHT - By - ALL RIGHTS RESERVED.

LOC	DIST	REVISIONS					
E	B	P	LTR	DESCRIPTION	DATE	DWN	APVD
		-		SEE SHEET 1	-	-	-



- NOTES (CONT):
- 9 LAST RUNNING ACCORDING TO IEC 60286-3
  - 10 BLISTER BELT FILLED WITH PARTS
  - 11 400mm EMPTY BLISTER BELT, SEALED WITH COVER TAPE
  - 12 BLISTER BELT ACCORDING TO IEC 60286-3
  - 13. UNIT PER REEL: 800 PIECES
  - 14. SMD-STRIP-PACKAGING ACCORDING TO IEC 60286-2

SECTION Y-Y

THIS DRAWING IS A CONTROLLED DOCUMENT.		DWN J.SANDWELL 10NOV2004		<b>TE Connectivity</b>	
DIMENSIONS: mm		CHK S.PARLOW 10NOV2004			
TOLERANCES UNLESS OTHERWISE SPECIFIED:		APVD F.WHEELER-KING 10NOV2004		NAME	
0 PLC ± - 1 PLC ± - 2 PLC ± - 3 PLC ± - 4 PLC ± - ANGLES ± - FINISH -		PRODUCT SPEC		MCX SMD PCB SOCKET	
MATERIAL -		APPLICATION SPEC		RESTRICTED TO	
		WEIGHT -		SIZE A3	
		CUSTOMER DRAWING		CAGE CODE 00779	
				DRAWING NO C-1337582	
				SCALE NTS	
				SHEET 2 OF 2	
				REV D	