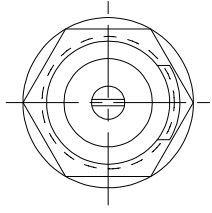
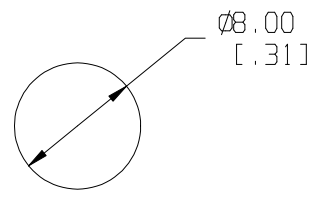


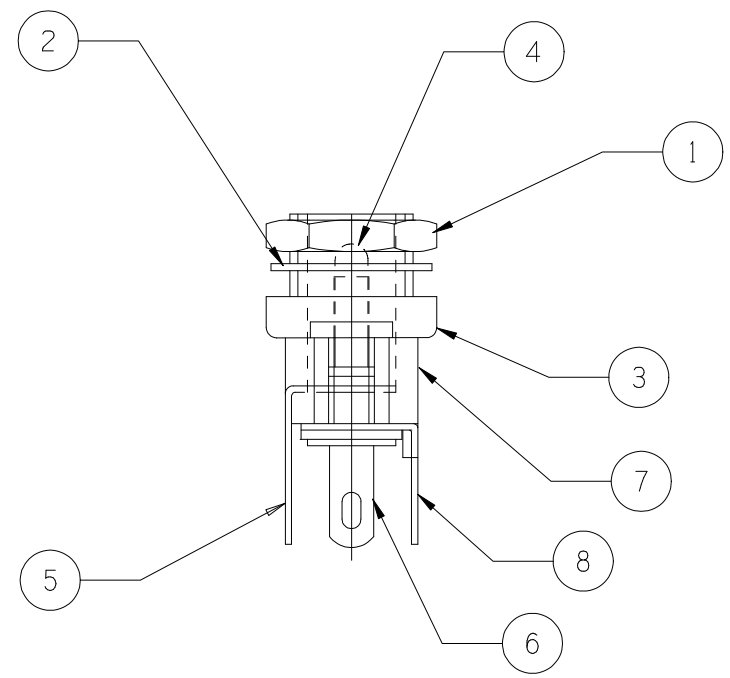
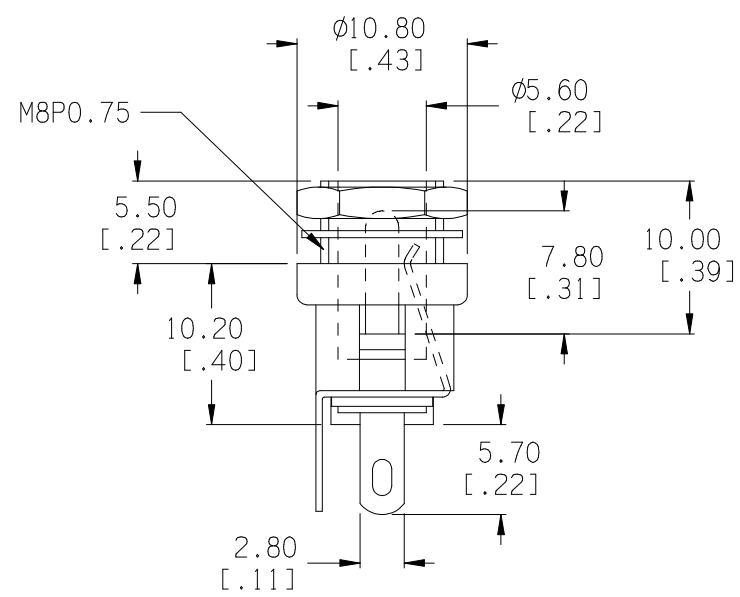
ELECTRICAL SPECS:

1. LIFE: 10,000 INSERTION/WITHDRAWAL CYCLE MINIMUM
2. CONTACT RESISTANCE: 50mΩ MAXIMUM
3. INSULATION RESISTANCE: 1000mΩ MINIMUM
4. DIELECTRIC WITHSTANDING VOLTAGE: 500AC MAXIMUM
5. MAXIMUM RATING: 5A, 12V DC

Date	SYM	REVISION RECORD	AUTH	DR.	CK.
05/08/04	A	ADDED ELECTRICAL SPECS	T.B.	B.S.	
5/26/07	B	Added "ROHS COMPLIANT"	T.B.	B.S.	



PANEL CUT-OUT



ROHS COMPLIANT

ITEM NO.	PART NAME	MATL. SPECIFICATION	Tolerance (Inches)	Memory Protection Devices, Inc. 200 Broad Hollow Road, Farmingdale, New York 11735		
1	HEX. NUT	BRASS, NICKLE PLTD.	Decimal ±.5 (.020)	Scale	Drawn By B.S.	
2	FLAT WASHER	IRON, NICKLE PLTD.			Approved By T.B.	
3	TOP HOUSING	BRASS, NICKLE PLTD.	Fractional ± .8 (.030)	Title DC JACK - CHASSIS MOUNT, CLOSED CIRCUIT		
4	PIN (Ø2.5)	COPPER, NICKLE PLTD.		Date 5/26/07	Drawing Number EJ502B	
5	SOLDER TERMINAL	BRASS, SILVER PLTD.	Angular ± 3°			
6	SOLDER TERMINAL	BRASS, SILVER PLTD.				
7	BOTTOM HOUSING	NYLON, BLACK				
8	SOLDER TERMINAL	BRASS, SILVER PLTD.				