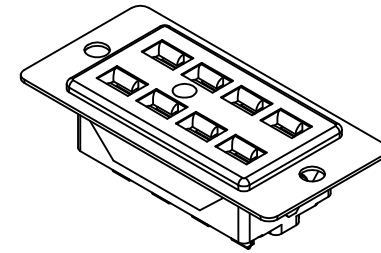
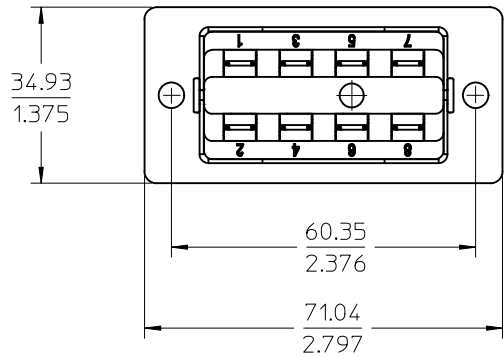
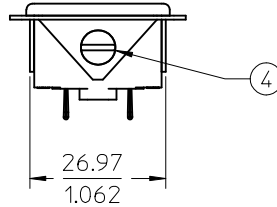
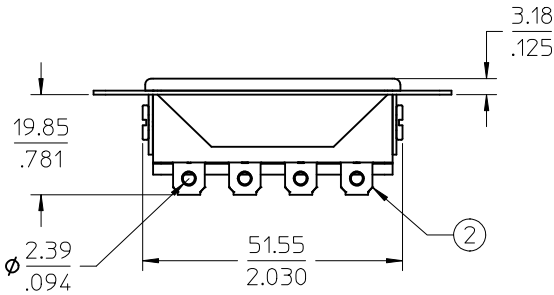
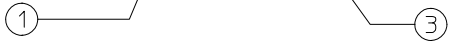


HOLE-CLEARANCE FOR .156 DIA POLARIZING PIN

.200 DIA. 2 HOLES



NOTES:
1.ASSEMBLY IS ROHS COMPLIANT

ITEM	QTY	DESCRIPTION	MATERIAL	FINISH
4	2	SCREW #6-32 X.312 PAN SLOT NI/STEEL	STEEL	NICKEL
3	1	BRACKT SHALLOW 5408 PAINT	STEEL	BLACK PAINT/ZINC
2	8	CONTACT S 5400 SN/D	PHOS.BRONZE	TIN
1	1	BASE SOCKET 5408 SN/D MOGPP	PHENOLIC	BLACK

INITIAL RELEASE EC NO: WNA2010-0273 DRWNGES 2009/10/23 CHKD:CLYORK 2010/05/11 APPR:DTITUS 2010/07/12	DESCRIPTION REV	QUALITY SYMBOLS	GENERAL TOLERANCES (UNLESS SPECIFIED)	DIMENSION STYLE	SCALE	DESIGN UNITS	THIRD ANGLE PROJECTION		
		▼=0 □=0	mm INCH 4 PLACES ± --- ± --- 3 PLACES ± --- ± .015 2 PLACES ± 0.38 ± --- 1 PLACE ± --- ± --- ANGULAR ± 1/2°	MM/IN	1:1	INCH	DRAWN BY: CLYORK DATE: 2009/10/22 CHECKED BY: CLYORK DATE: 2010/05/11 APPROVED BY: RDEROSS DATE: 2009/10/22	TITLE	
		DRAFT WHERE APPLICABLE MUST REMAIN WITHIN DIMENSIONS		MATERIAL NO.	MOLEX INCORPORATED		DOCUMENT NO.		SHEET NO.
				385421308	SD-38542-007		1 OF 1		