

THIS COPY IS PROVIDED ON A RESTRICTED BASIS AND IS NOT TO BE USED IN ANY WAY DETRIMENTAL TO THE INTERESTS OF PANDUIT CORP.

T-70 RACEWAY KNOCK-OUT  
 COMBINATION 1/2" OR 3/4" KNOCK-OUT  
 COMBINATION 1" OR 1 1/4" KNOCK-OUT  
 REMOVABLE PLATES FOR ADDITIONAL CABLE CAPACITY

NOTES:

1. VISIT OUR ON-LINE CATALOG AT WWW.PANDUIT.COM FOR A LIST OF CURRENT PARTS APPLICABLE FOR USE WITH THIS PRODUCT.
2. DIMENSIONS IN [ ] ARE METRIC.
3. CAN BE USED WITH ANY 19" EIA STANDARD COMPONENT UP TO 36.9" [938mm] DEEP.
4. 6 AVAILABLE RACK SPACES. (6 ACTIVE &/OR 6 PASSIVE)
5. EQUIPMENT MOUNTING BRACKETS ARE ADJUSTABLE VERTICALLY IN 1.75" [44.5mm] INCREMENTS.
6. WEIGHT: 94 LB [42.6 kG]
7. LOAD CAPACITY: 400 LBS
8. TOP AND BOTTOM PANELS ARE REMOVABLE FOR ACCESS TO EQUIPMENT.
9. PART INCLUDES:
  - (1) VERTICAL WALL MOUNT ENCLOSURE
  - (1) PAIR OF HORIZONTAL ACTIVE EQUIPMENT RAILS (6RU)
  - (1) PAIR OF ANGLED PASSIVE EQUIPMENT RAILS (6RU)
  - (4) #12-24 SCREWS
  - (4) M5 THREAD FORMING BONDING SCREWS
  - (1) ROLL OF TAK-TY HOOK AND LOOP CABLE TIE
  - (2) KEYS
  - (1) ROLL OF GROMMET EDGING
  - (1) HARDWARE KIT

REMOVABLE TOP LID

PERFORATED FOR AIRFLOW

WALL PASS-THRU KNOCK-OUT

ADJUSTABLE ANGLED PASSIVE EQUIP. RAILS

ADJUSTABLE HORIZONTAL ACTIVE EQUIP. RAILS (#12-24 AND CAGE NUT)

MULTIPLE CONDUIT BOX MOUNTING LOCATIONS

REMOVABLE BOTTOM PLATE

PERFORATED FOR AIRFLOW

PERFORATED FAN KNOCK-OUTS

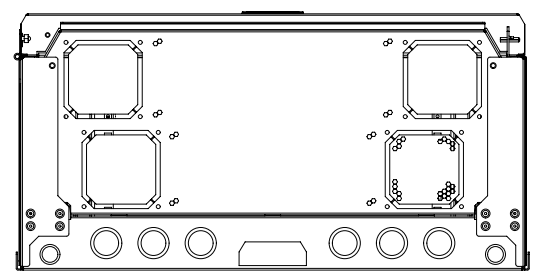
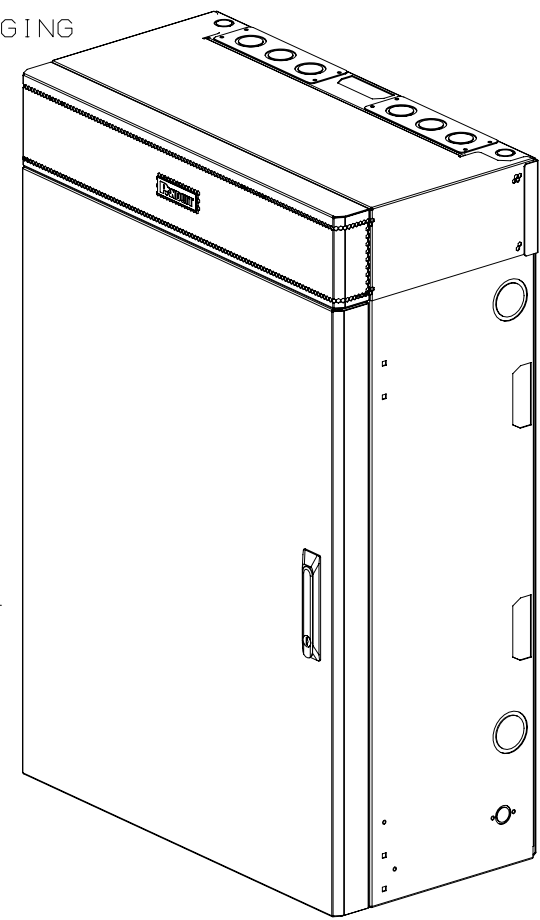
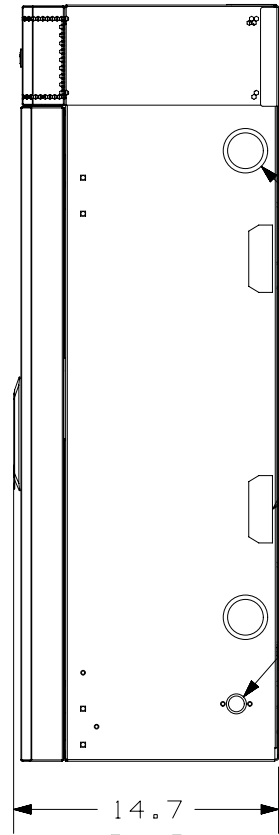
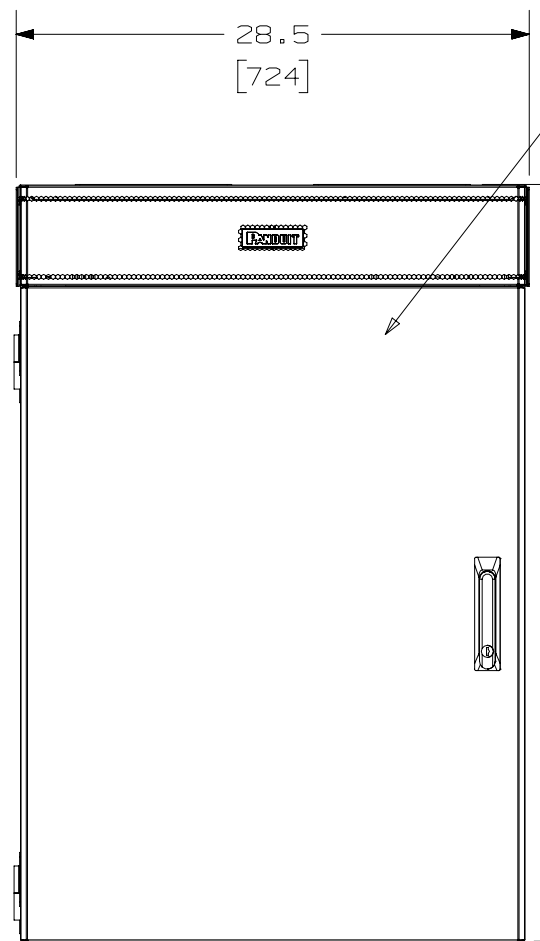
REMOVABLE PLATES FOR ADDITIONAL CABLE CAPACITY

REVERSIBLE AND REMOVABLE DOOR

COMBINATION 1 1/2" OR 2" KNOCK-OUT

T-70 RACEWAY KNOCK-OUT

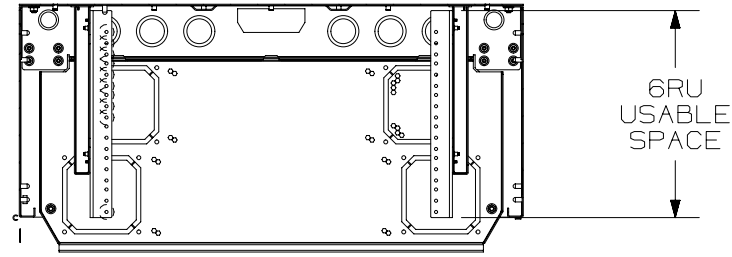
COMBINATION 1/2" OR 3/4" KNOCK-OUT



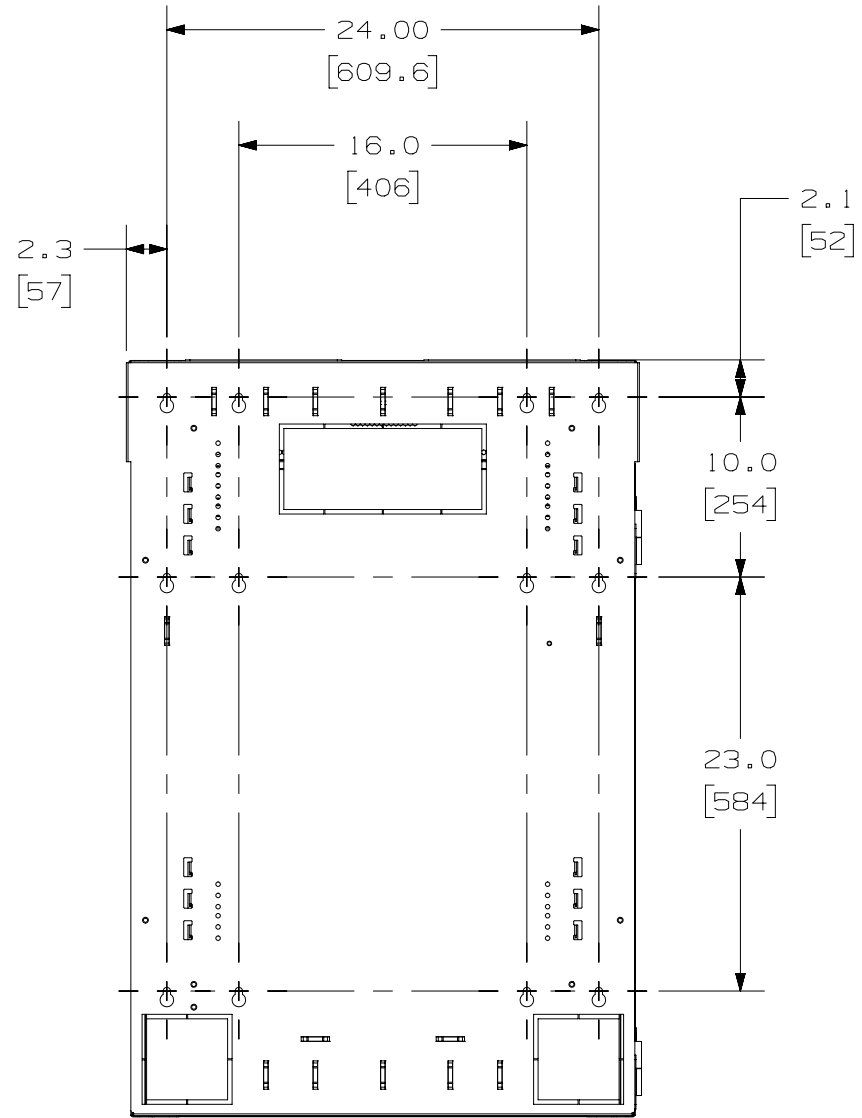
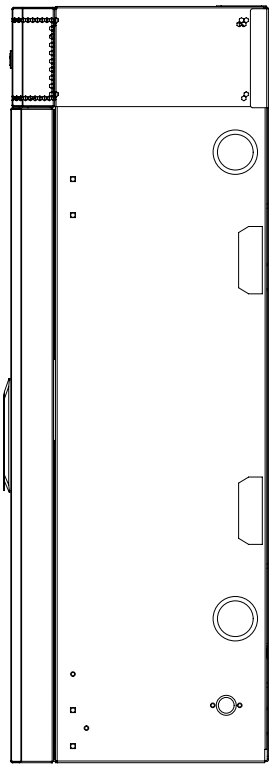
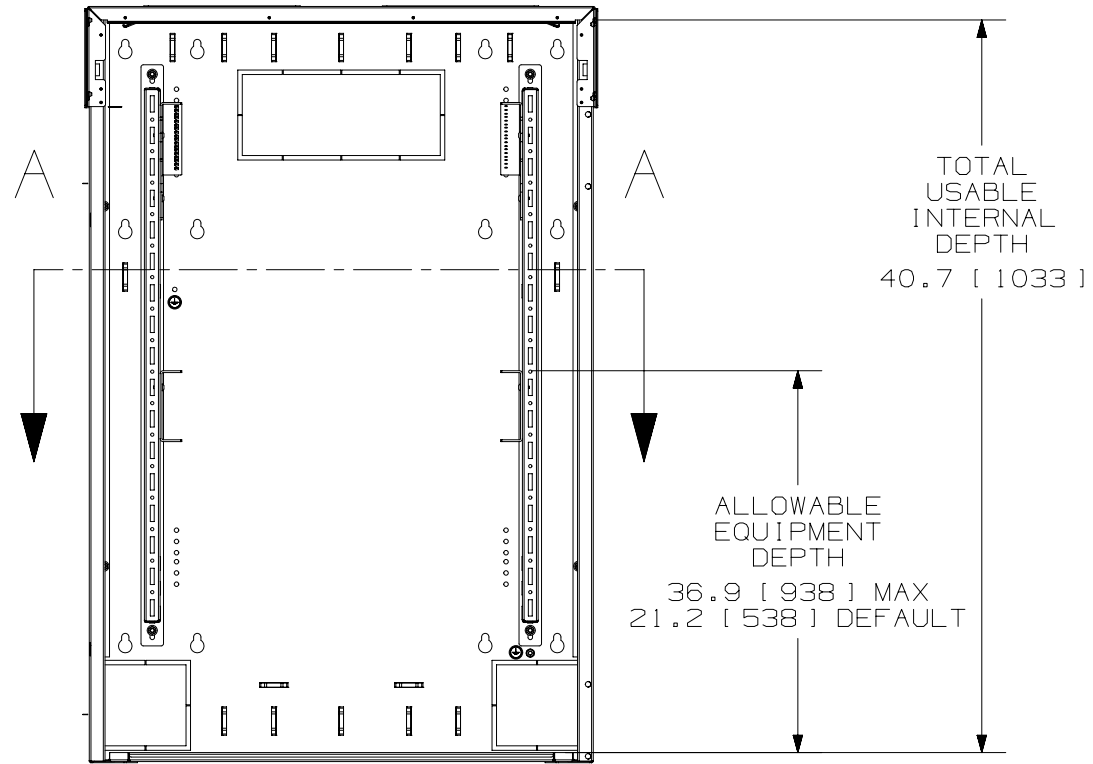
PART NUMBER		WME6BL		
TITLE		VERTICAL WALL MOUNT ENCLOSURE 6RU		
		CUSTOMER DRAWING		
ITEM REVISION NAME		00490EAB/01		
DATASET FILE NAME		00490EAB_DC/01A		
		THIRD ANGLE PROJECTION		
MATERIAL		STEEL		
		DRAWING NUMBER		
		00490EAB - DC		
DRAWN BY	DATE	CHK	SCALE	SIZE
TWV	3-17-20	KZU	NONE	B
SHEET 1 OF 3				

REV	DATE	BY	CHK	APR	DESCRIPTION	ECN
01A	3-17-20	TWV	KZU	BETL	RELEASED TO PRODUCTION	M09000LH

B-SIZE CUSTOMER



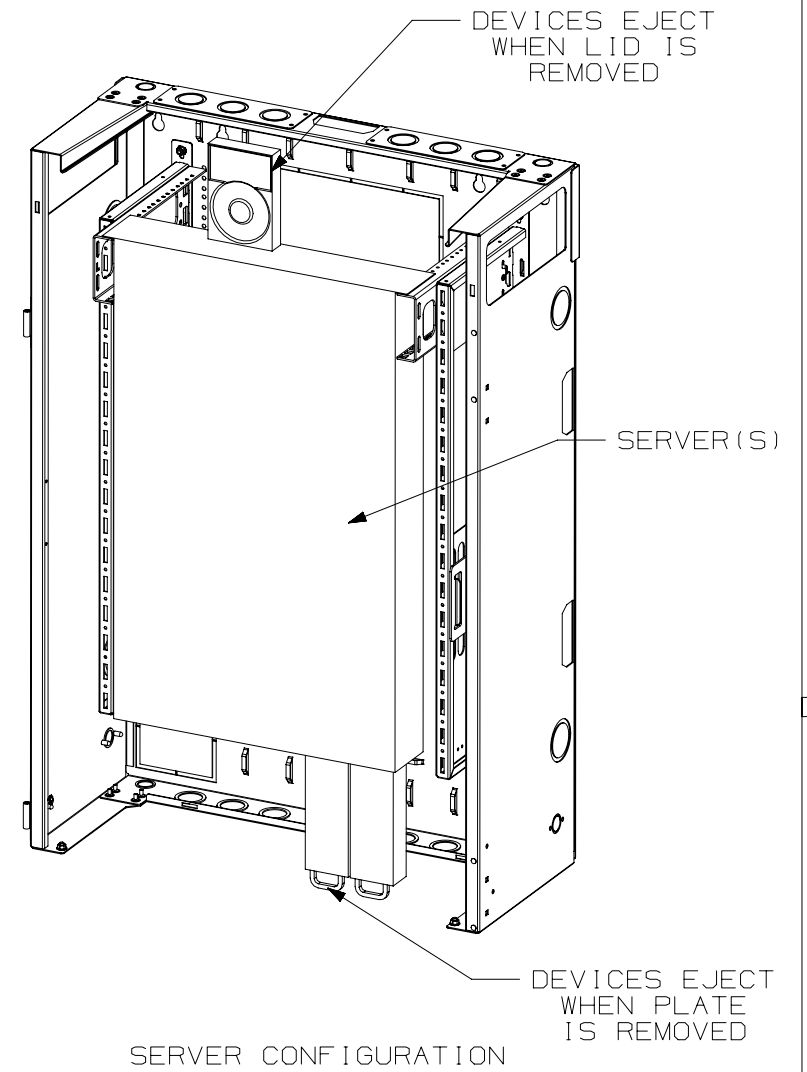
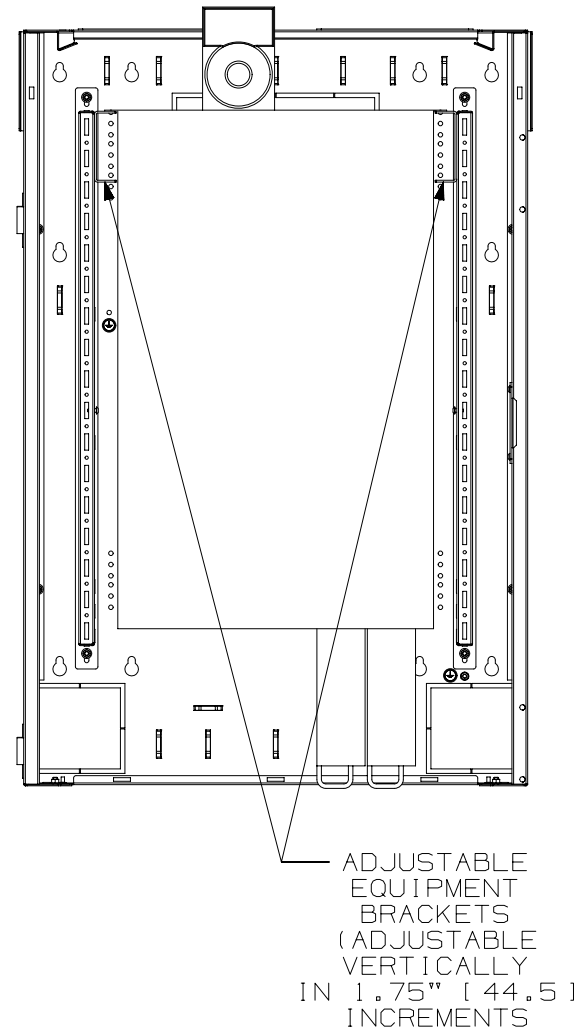
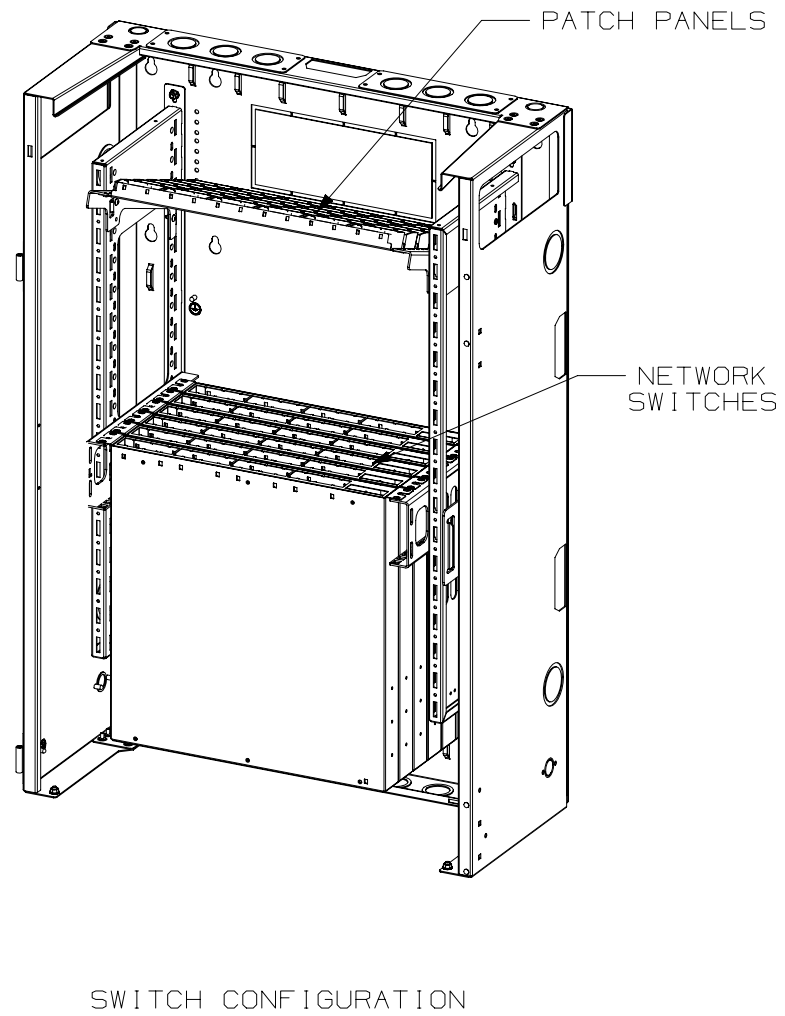
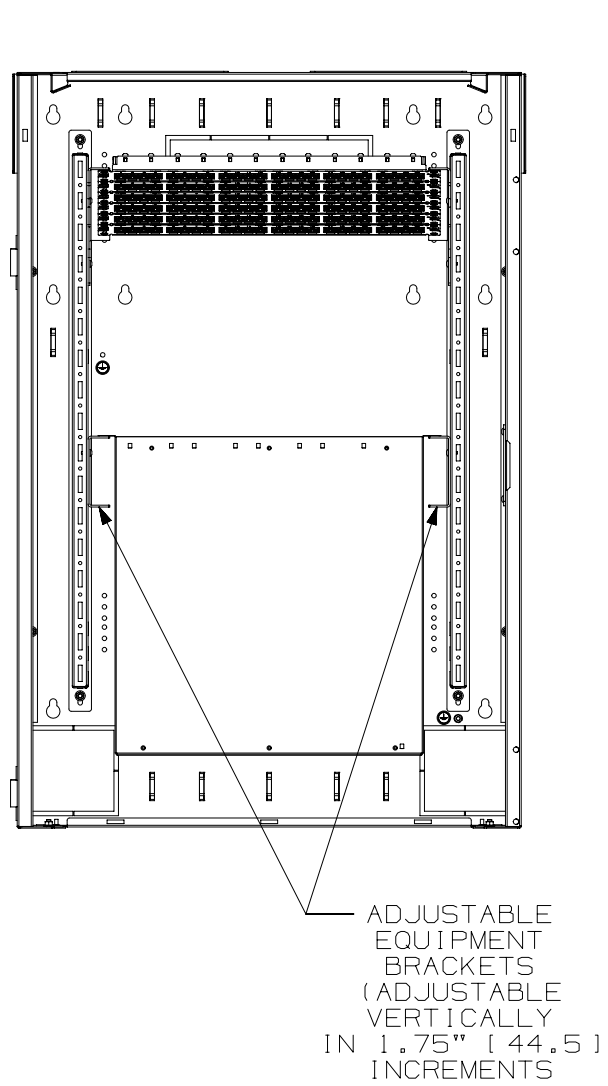
SECTION A - A



PART NUMBER		WME6BL		
TITLE		VERTICAL WALL MOUNT ENCLOSURE 6RU		
		CUSTOMER DRAWING		
ITEM REVISION NAME		00490EAB/01		
DATASET FILE NAME		00490EAB_DC/01A		
MATERIAL		STEEL		
DRAWING NUMBER		00490EAB - DC		
THIRD ANGLE PROJECTION				
DRAWN BY	DATE	CHK	SCALE	SHEET 2 OF 3
TWV	3-17-20	KZU	NONE	B

REV	DATE	BY	CHK	APR	DESCRIPTION	ECN
01A	3-17-20	TWV	KZU	BETL	SEE SHEET ONE FOR REVISIONS	M09000LH

B-SIZE CUSTOMER



PART NUMBER		WME6BL	
TITLE		VERTICAL WALL MOUNT ENCLOSURE 6RU	
CUSTOMER DRAWING			
ITEM REVISION NAME		00490EAB/01	
DATASET FILE NAME		00490EAB_DC/01A	
THIRD ANGLE PROJECTION			
MATERIAL		STEEL	
DRAWING NUMBER		00490EAB - DC	
DRAWN BY	DATE	CHK	SCALE
TWV	3-17-20	KZU	NONE
SHEET 3 OF 3		SIZE B	

REV	DATE	BY	CHK	APR	DESCRIPTION	ECN
01A	3-17-20	TWV	KZU	BETL	SEE SHEET ONE FOR REVISIONS	M09000LH

B  
A

B  
A

2

1

B-SIZE CUSTOMER