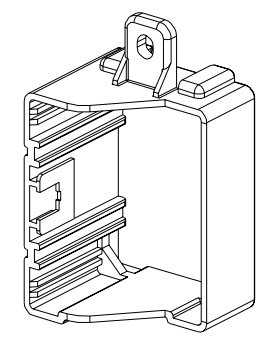
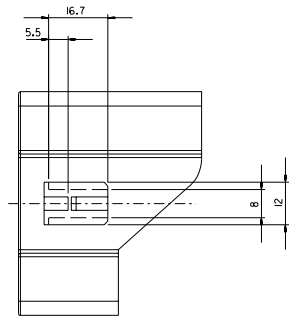
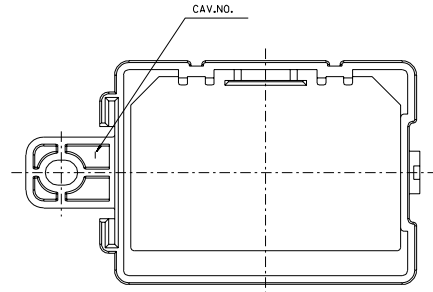
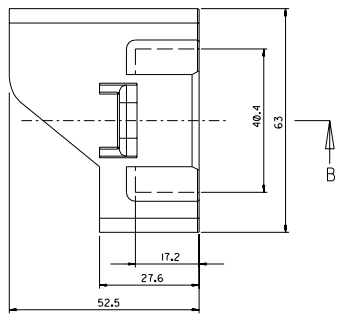
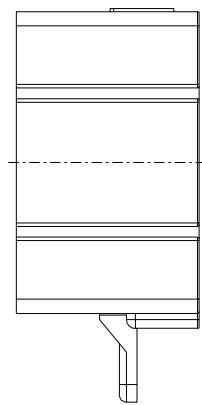
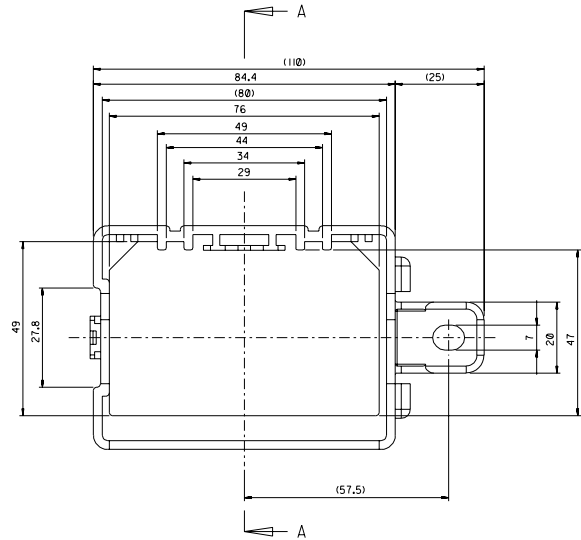
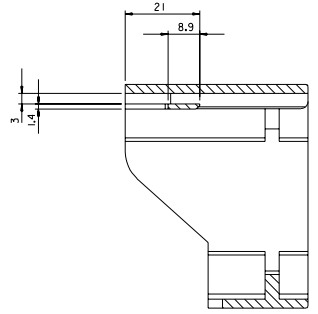


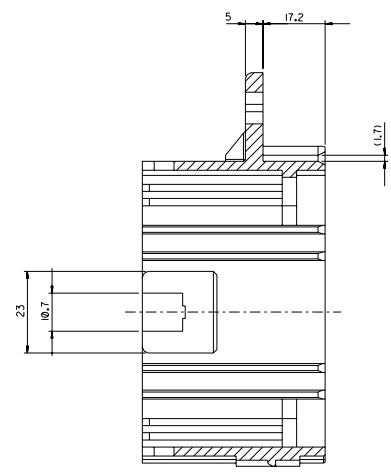
PROJECT NO. SIMILAR ITEM DWG. NO. SD-49501-001



ISOMETRIC VIEW



SECTION A-A



SECTION B-B

- NOTES
 1. MATERIAL: NYLON66, NONE FILLED, UL94HB
 COLOR: BLOCK
 2. APPLICABLE HOUSING NO.: 49006-4610

495010191	49501-0191
MATERIAL NO.	ENG. NO.

NEW RELEASED	EC NO. KOR2004-0071
DRWN: B.C.YOON 03/12/11	CHK: B.C.YOON 03/12/11
APPR: C.W.LEE	
REV	A

QUALITY SYMBOLS	GENERAL TOLERANCES: (UNLESS SPECIFIED)
MAJOR	mm INCH
CRITICAL	mm INCH
	ANGULAR: ± 3°

SCALE	DESIGN UNITS
1:1	mm INCH
DRAWN BY & DATE	B.C.YOON 03/09/19
CHECKED BY & DATE	B.C.YOON 03/09/19
APPROVED BY & DATE	C.W.LEE 03/09/19
CAD FILENAME	S4950191.DGN

DIMENSIONS:		SHT	REV
<input type="checkbox"/> mm	<input checked="" type="checkbox"/> INCH		
THIRD ANGLE PROJECTION		REVISE ON CAD ONLY	
TITLE:		SHEET NO.	
.040 W-T-W HYBRID LIF CONNECTOR 46P		1 OF 1	
BLOCK (LH TYPE)		SIZE	
MOLEX INCORPORATED		C	
DRAWING NO. SD-49501-001		MX-A2	

DO NOT SCALE DRAWING DIMENSION IN METRIC