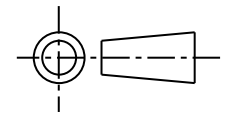


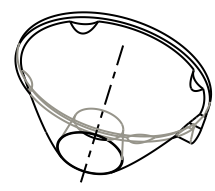
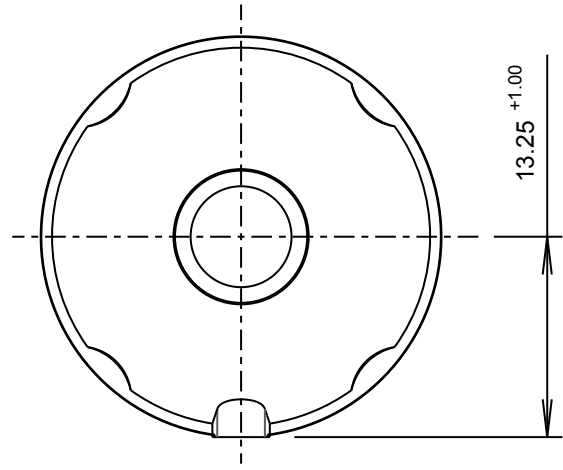
| ISS. | DATE      | E.C.N. | DESCRIPTION   |
|------|-----------|--------|---------------|
| 1    | 19-Nov-08 |        | FIRST RELEASE |

© 2006 CARCLO  
ALL DIMENSIONS IN mm



CARCLO TECHNICAL PLASTICS (SLOUGH) LTD.  
111 BUCKINGHAM AVE, SLOUGH  
SL1 4PF, ENGLAND  
TEL: +44 1753 575011 FAX: +44 1753 811359  
e-mail: design@ctpcoil.co.uk}

CUSTOMER DRAWING



SCALE 1:1  
GENERAL VIEW

GENERAL TOLERANCES (UNLESS STATED)

| LINEAR        | ANGULAR       |
|---------------|---------------|
| X +/- 0.25    | X +/- 1°      |
| X.X +/- 0.1   | X.X +/- 0.5°  |
| X.XX +/- 0.05 | X.XX +/- 0.1° |

CUSTOMER

TITLE

26.5mm OPTIC 0.8mm OFFSET  
WIDE FROSTED

DRAWN M.B. DATE 19-Nov-08

CHK'D DATE

APP'D DATE

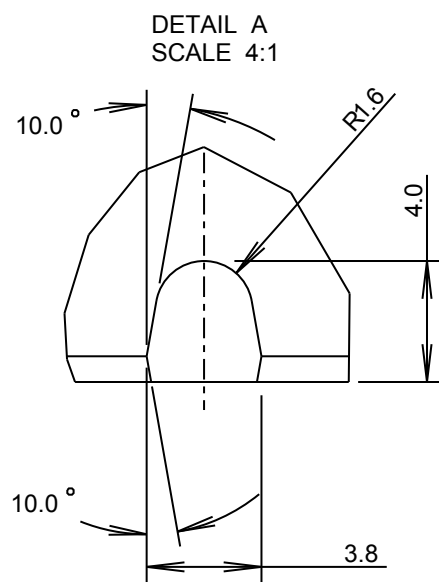
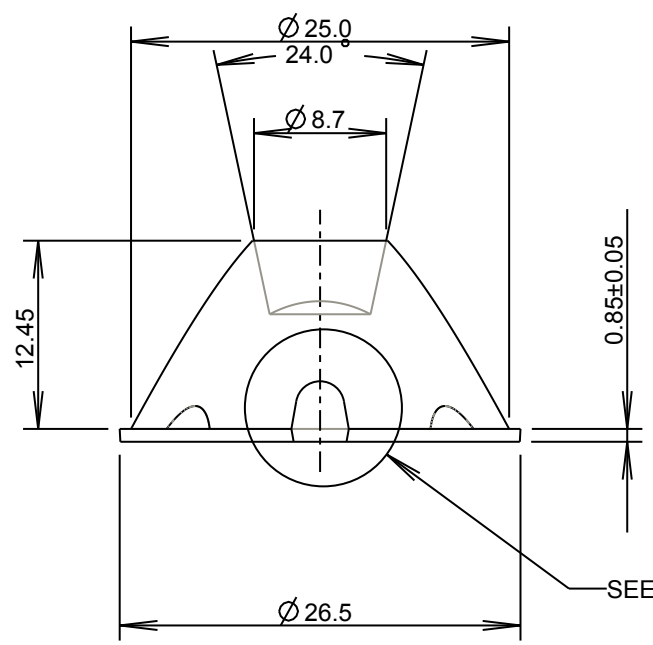
SCALE  
2:1

COIL PART No.  
10394

SIZE  
A4

COIL DRG. No.  
60510

SHEET  
1 OF 1



DETAIL A  
SCALE 4:1

MATERIAL: POLYCARBONATE

SEE DETAIL A