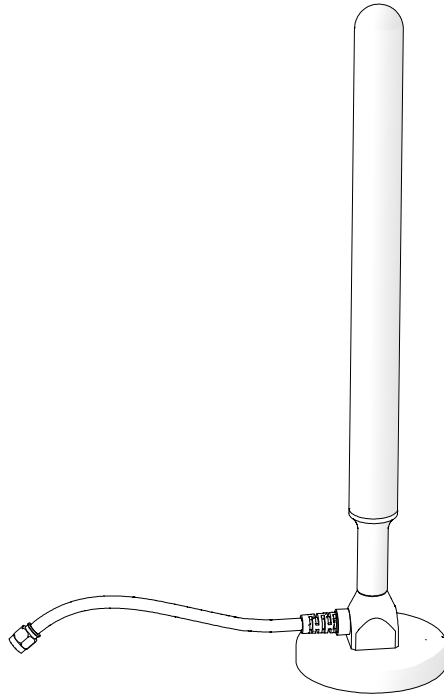


RFELA-6/389

860-930MHz dual band – 3dBi Omnidirectional Indoor/Outdoor Antenna for LoRa, LoRaWAN / LongFi and ISM applications



Fully compatible with technologies, products and services by



RF Explorer[®]

**RFELA-6/389 3dBi 860-930MHz
Indoor Antenna LoRa/LoRaWAN**



Check latest details at lora.rf-explorer.com

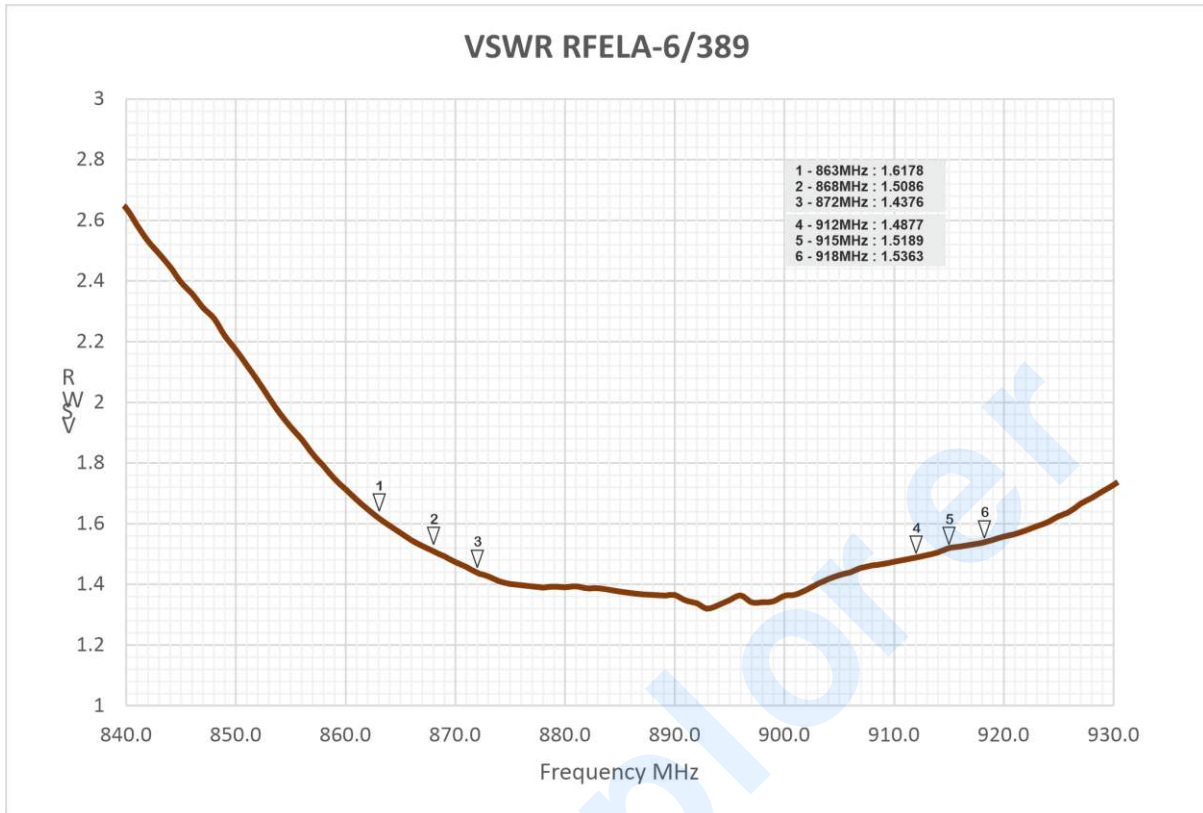
Features

- ✓ High gain 3dBi dual band for 868MHz and 915MHz
- ✓ High efficiency vertical polarized monopole
- ✓ Robust hermetic construction for outdoor usage and small compact size for indoor usage
- ✓ Include easy to use magnetic support
- ✓ CE RoHS certified

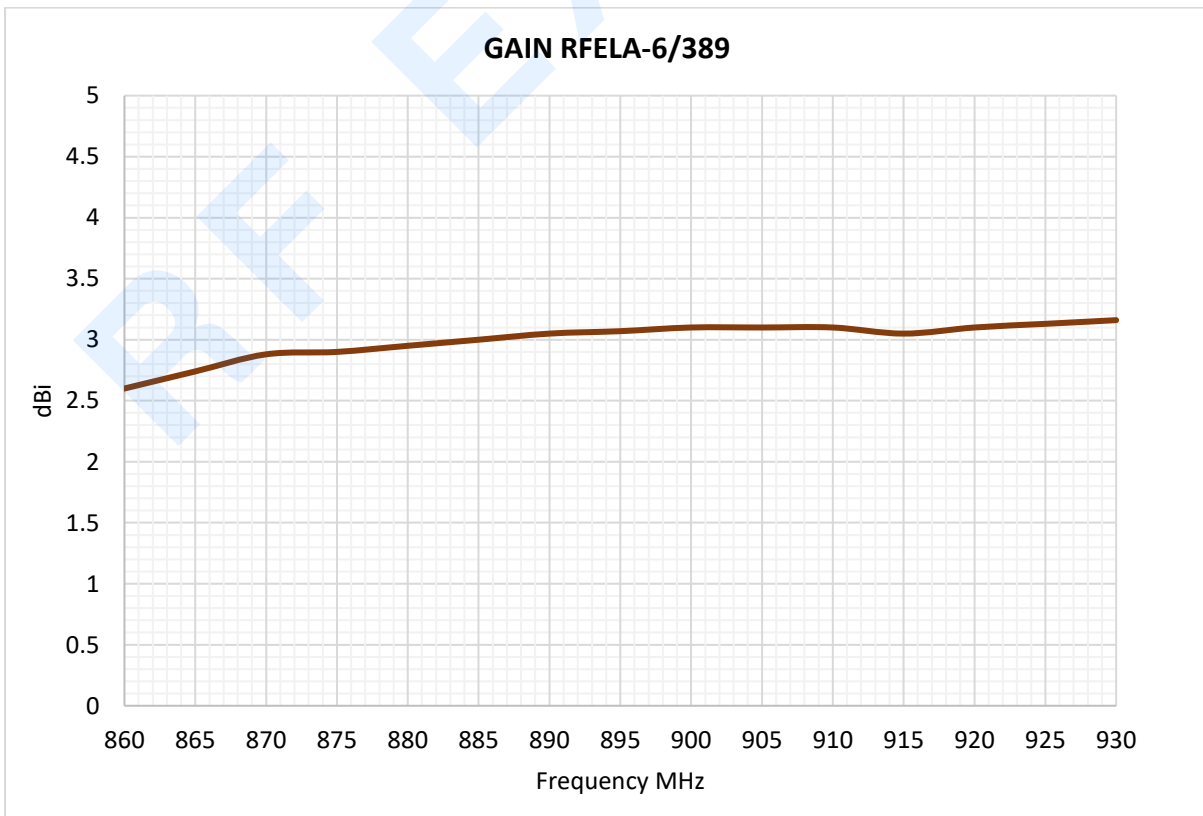
Specification

Frequency Range	860-930MHz
impedance	50Ω
VSWR	1.5 @ 868MHz typical 1.5 @ 915MHz typical < 2.2 max
Gain	3dBi
Efficiency Maximum	75%
Polarization	Linear Vertical
Radiation pattern	360° Omni directional
Physical length	295 mm
Radiator Material	Nickel Steel
Covering Material	ABS Black
Cable Connector	RP-SMA Male
Cable Type	RG-58
Cable Length	1000 mm
Temperature operation	-20°C to +65°C / -4°F to +150°F
Waterproof	IP65

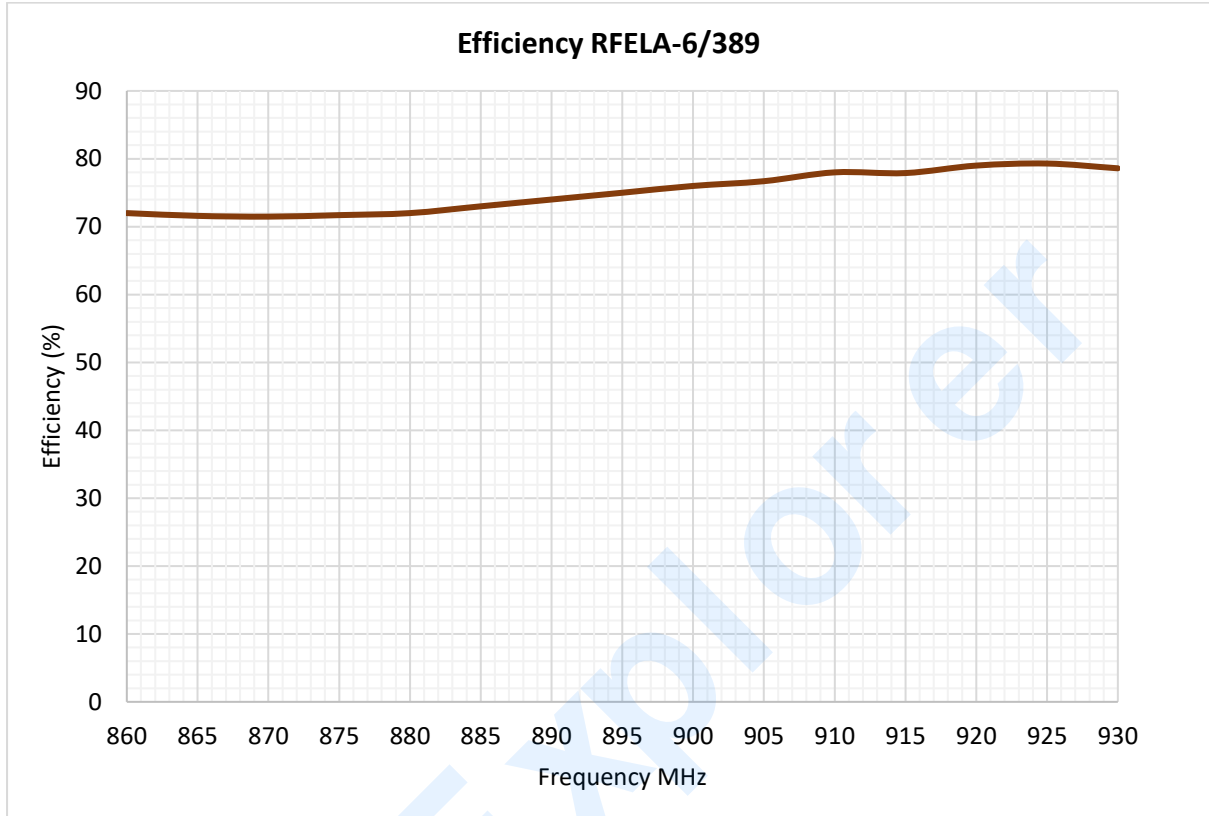
Antenna VSWR



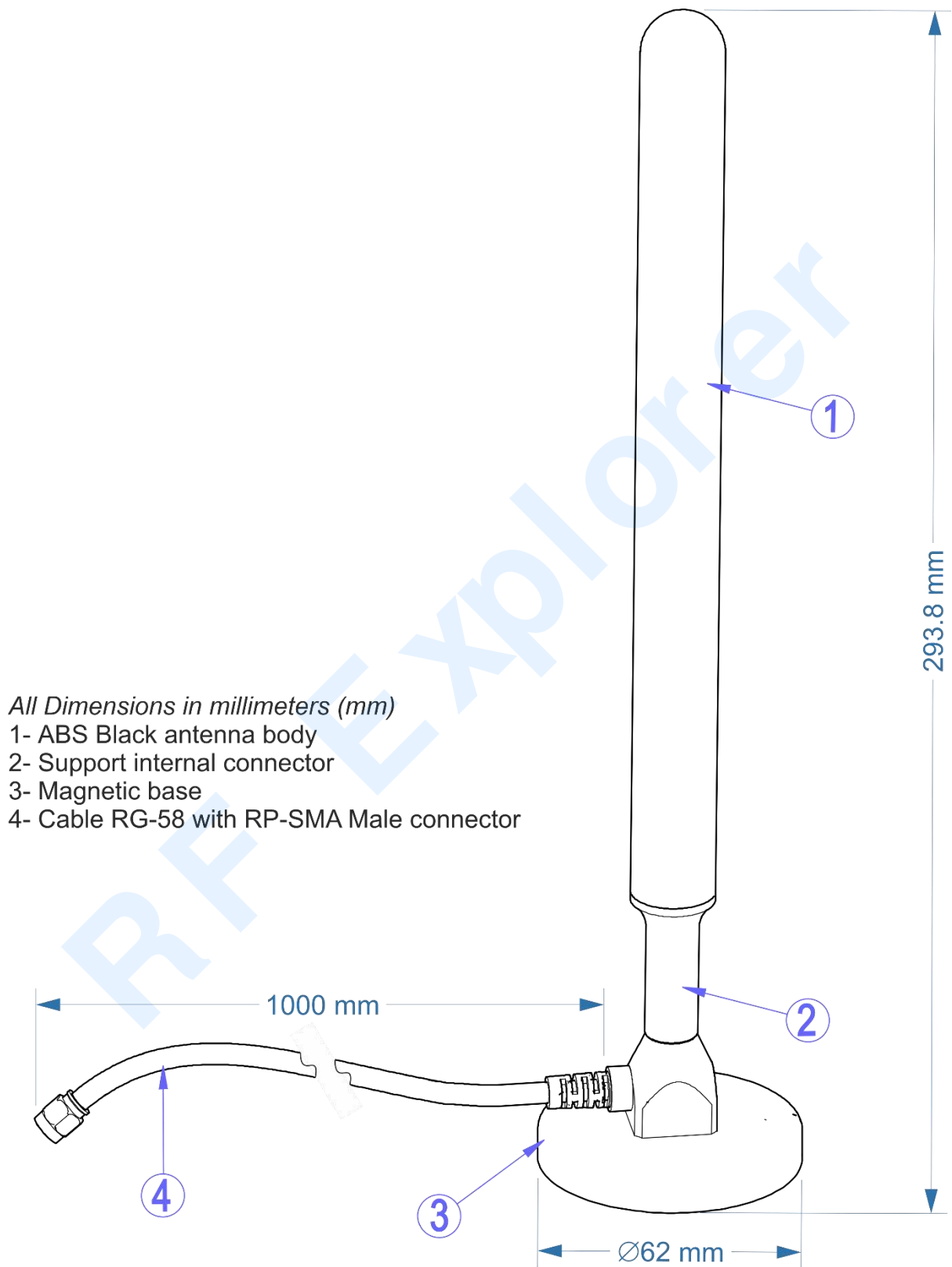
Antenna Gain



Antenna Efficiency

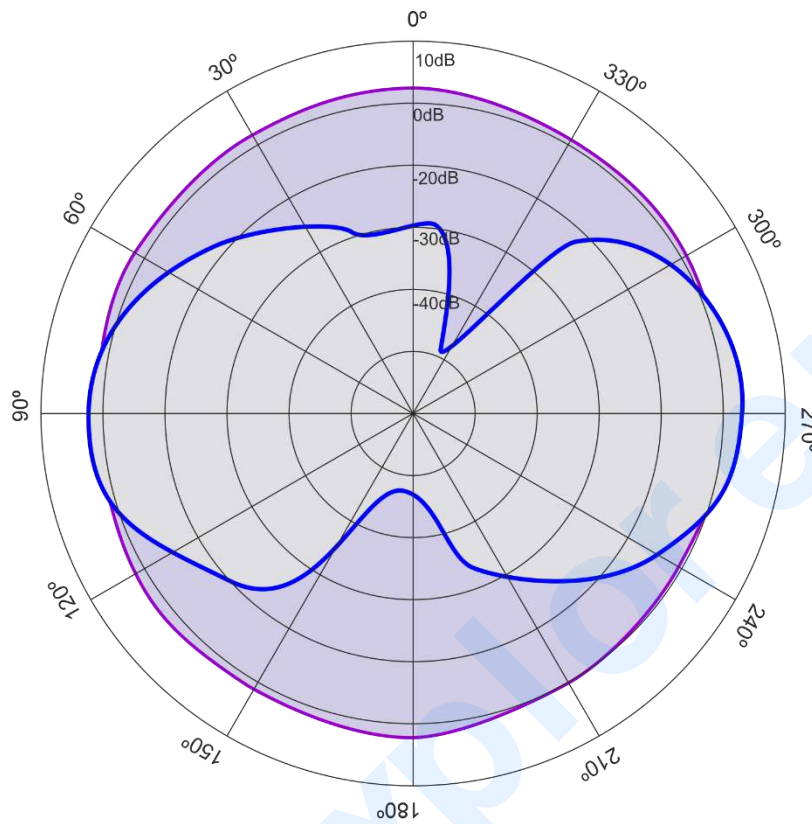


Antenna Mechanical Specifications



Antenna Radiation Pattern

Vertical and Horizontal radiation pattern 868MHz center frequency.



Vertical and Horizontal radiation pattern 915MHz center frequency.

