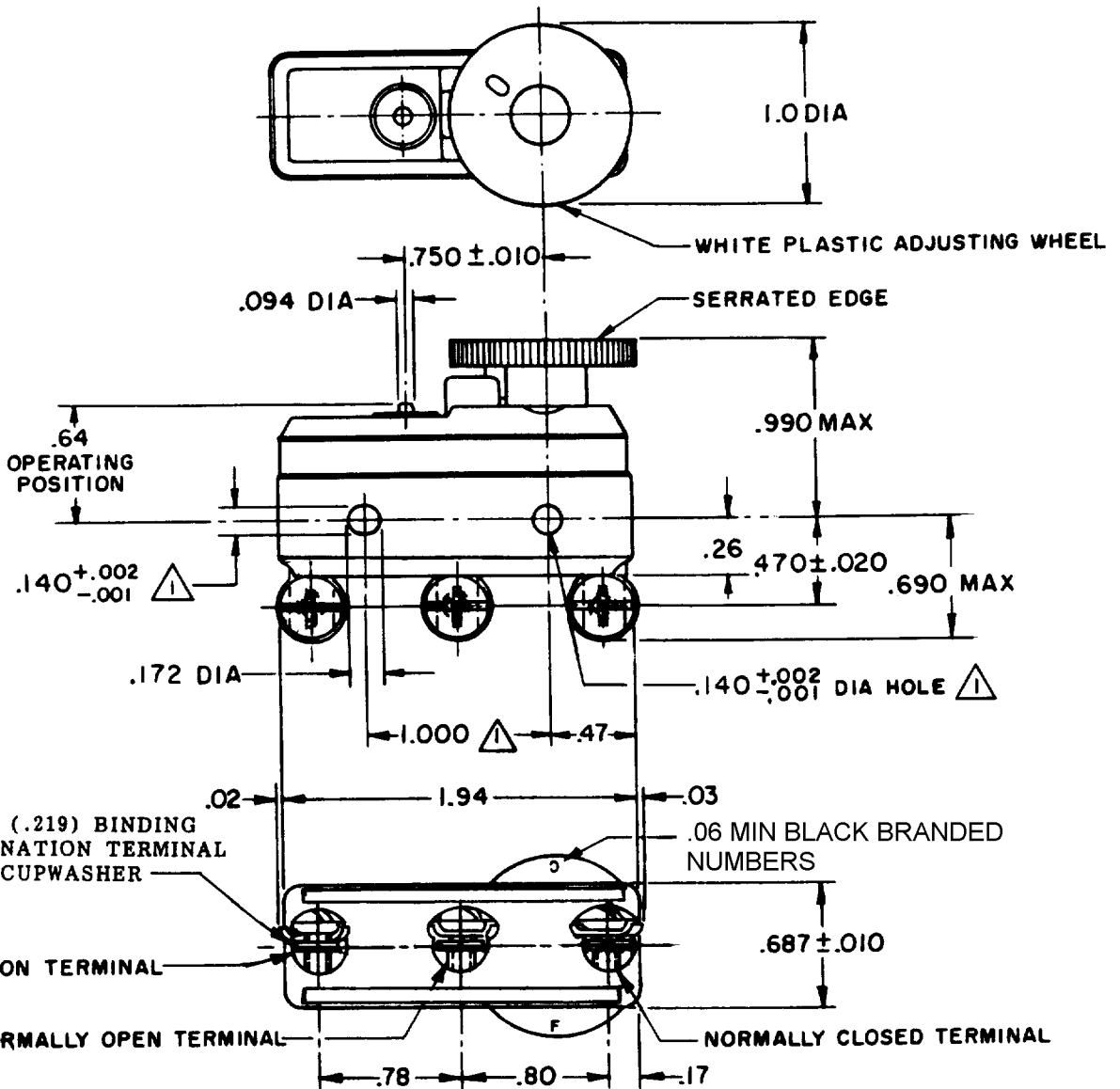


CATALOG LISTING
10BS211
PAGE 1 OF 1
REPLACES
PR-2484
ISSUE
M
12

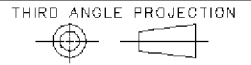
REVISIONS
A 205627
CSL
22 MAY 02

CHECK
22 MAY 02
S AV
CHECK
22 MAY 02
DRAWN
RASTER



- NOTES**
- 1 MOUNTING HOLES WILL ACCEPT PINS OR SCREWS OF .139 MAX DIA ON 1.000 ± .002 CENTERS
 - 2 - DIAL WHEEL IS SHOWN AT THE MAX SETTING OF BREAK DISTANCE
 - 3 - DIAL WHEEL ROTATION 300°

THIS DRAWING COVERS A PROPRIETARY ITEM AND IS THE PROPERTY OF MICRO SWITCH, A DIVISION OF HONEYWELL. THIS DRAWING IS NOT TO BE COPIED OR USED WITHOUT THE APPROVAL OF MICRO SWITCH.



CHARACTERISTICS
AT MIN SETTING OPERATING FORCE ----- 11-20 OZ RELEASE FORCE ----- 10 OZ MIN DIFFERENTIAL TRAVEL ----- .0015-.0025
AT MAX SETTING DIFFERENTIAL TRAVEL ----- .007 MIN OVERTRAVEL ----- .010 MIN

ELECTRICAL DATA
CONTACT ARRANGEMENT S P D T
L17 20A 125, 250 OR 480 VAC 3/4HP 125 VAC, 1 1/2HP 250 VAC

SCALE	FULL	DO NOT SCALE PRINT
UNLESS OTHERWISE SPECIFIED TOLERANCES ARE		
ONE PLACE	(.0)	± .030
TWO PLACE	(.00)	± .015
THREE PLACE	(.000)	± .005
ANGLES		±
WEIGHT		

