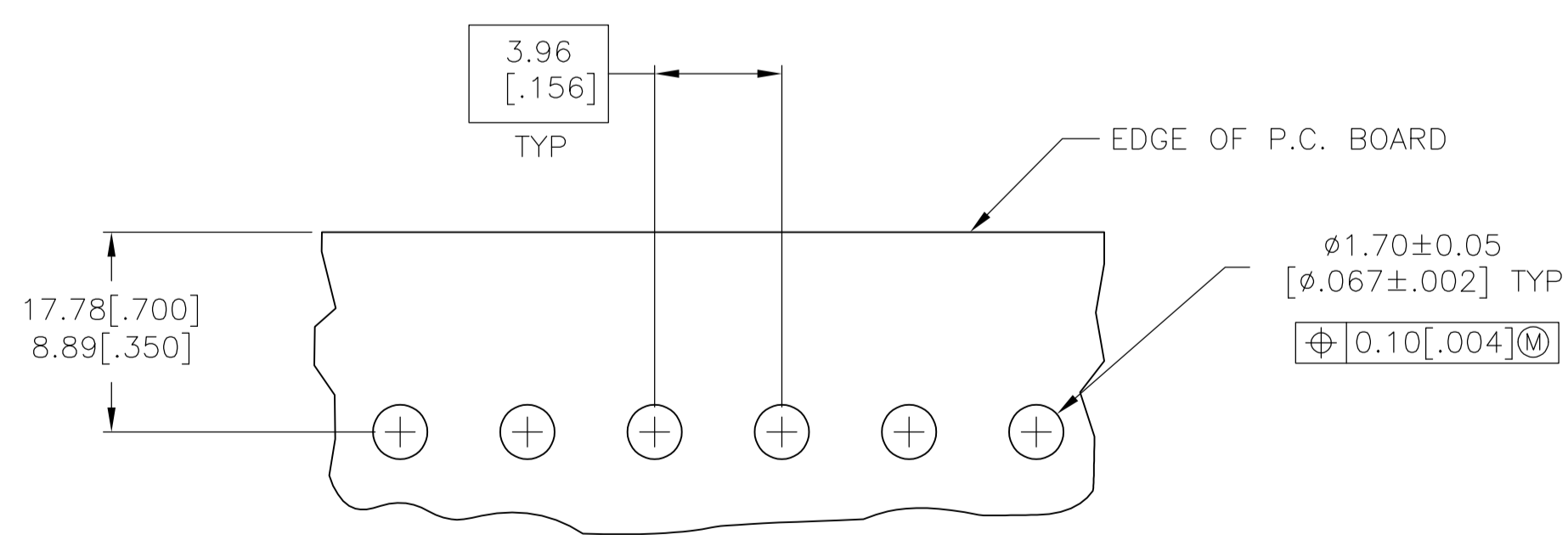
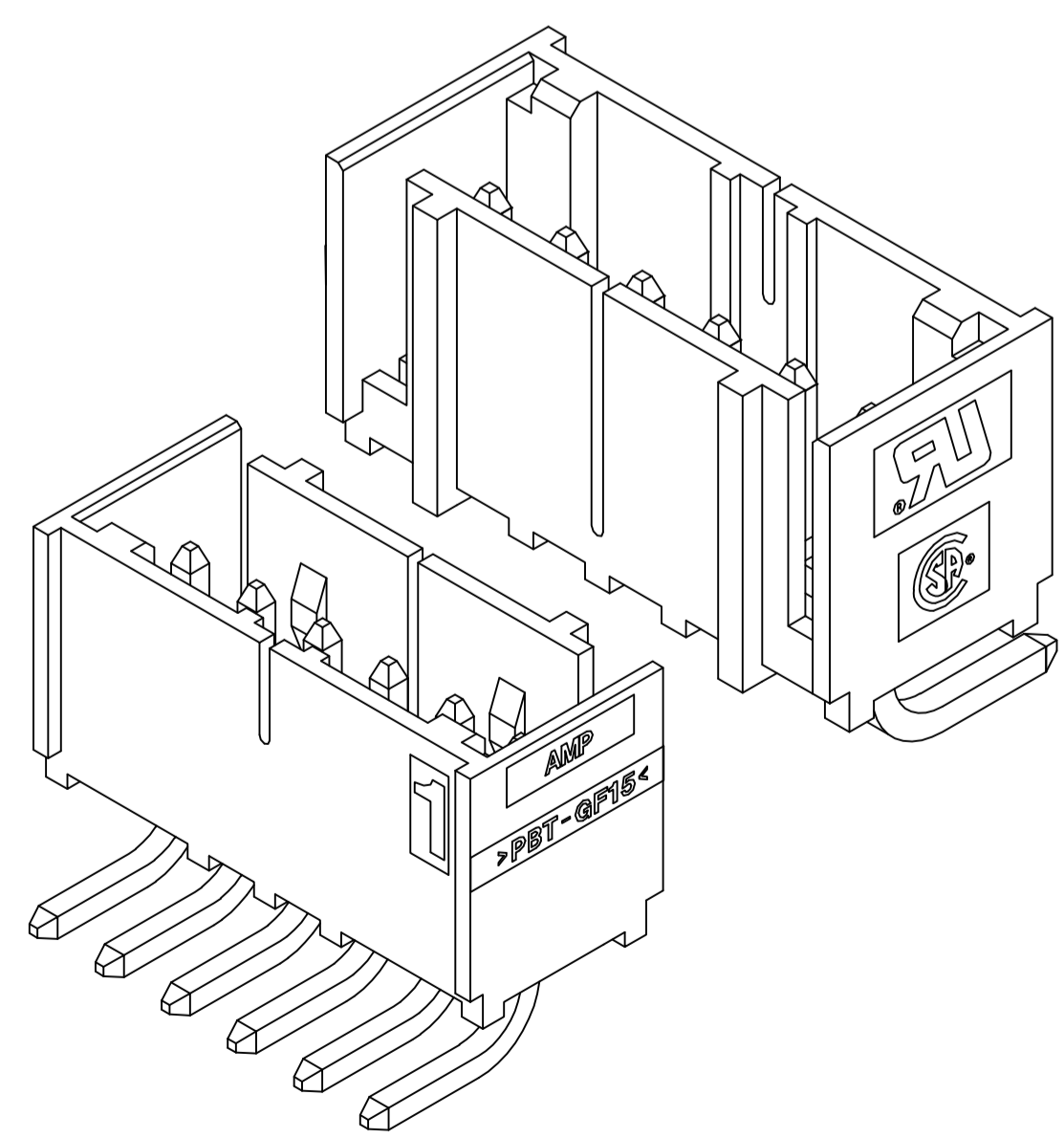
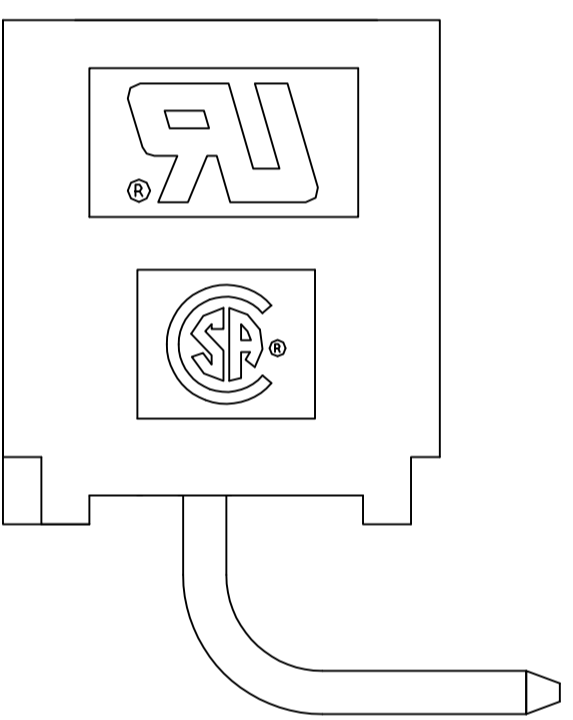
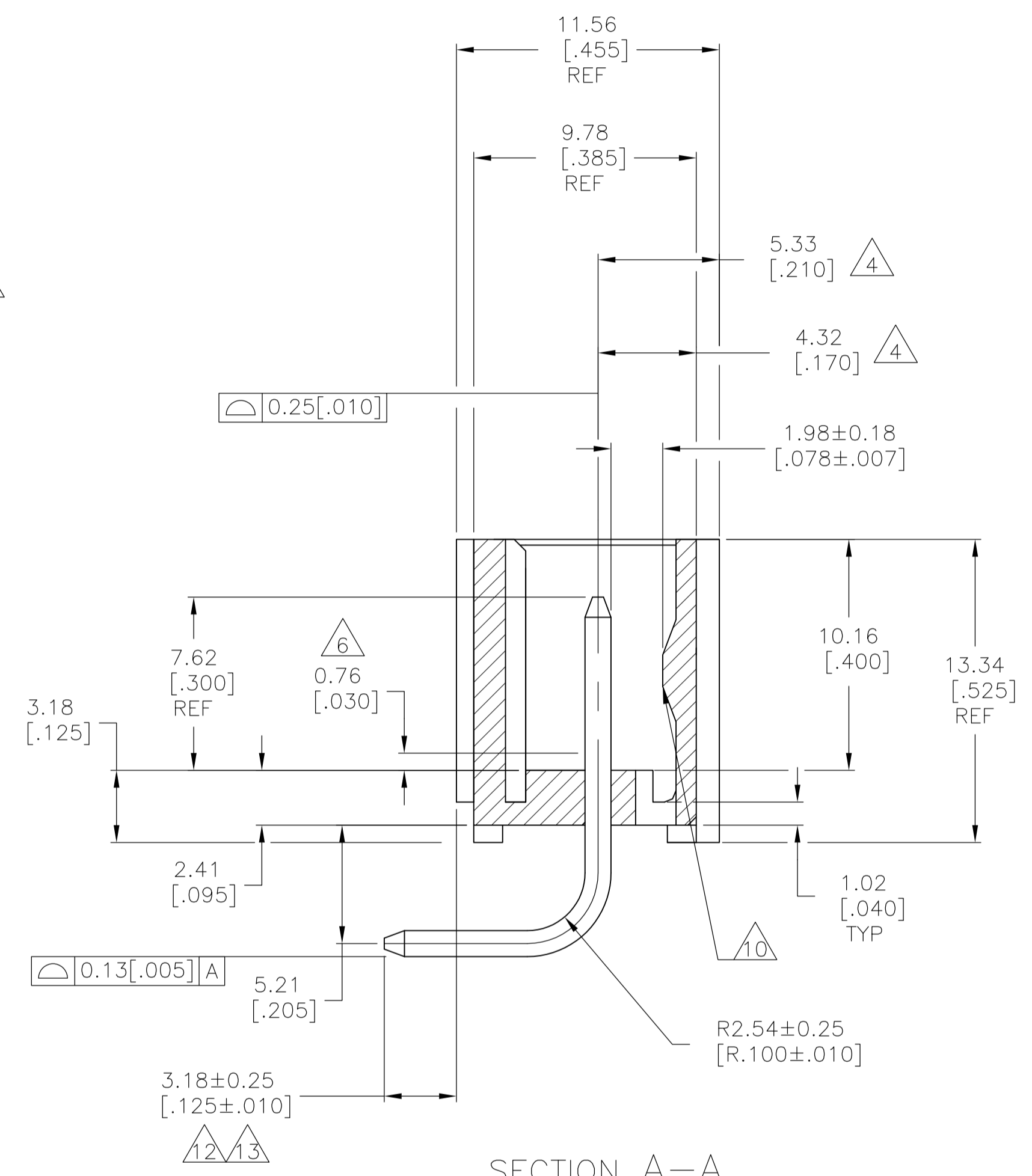
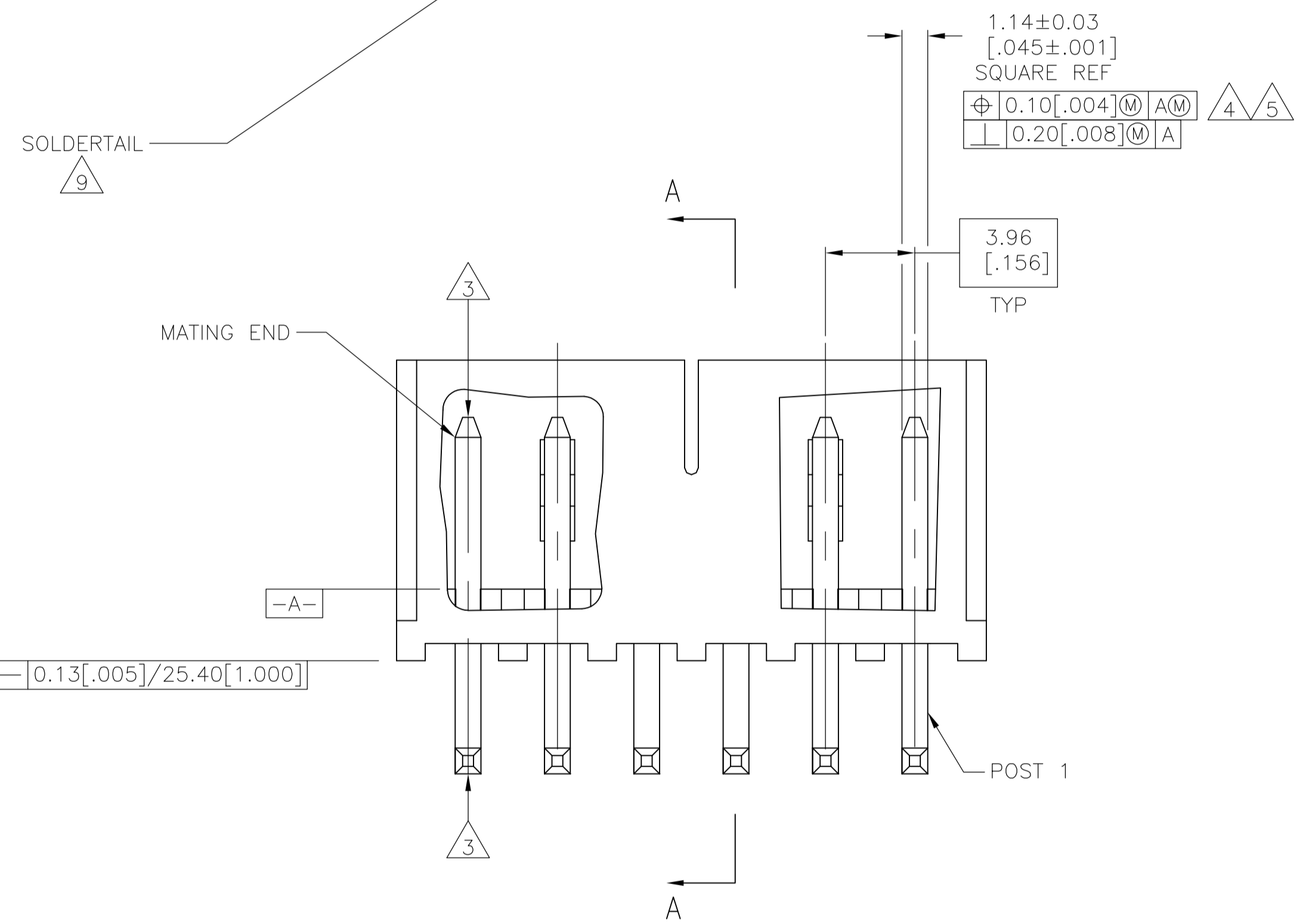
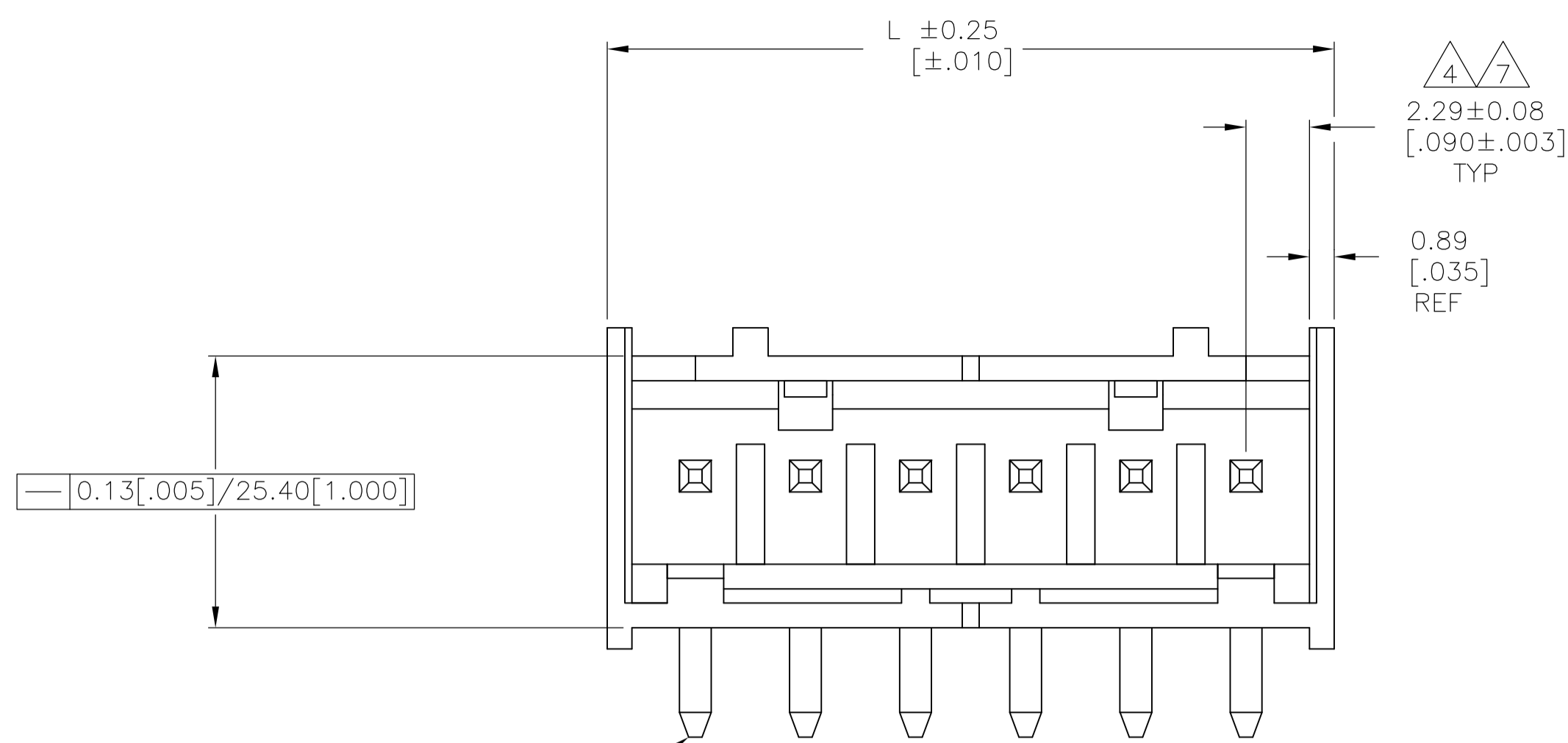


LOC		DIST		REVISIONS			
CM	0	REV	DATE	BY	APPV	DATE	REV
E1	REVISED PER ECR-15-007038		28SEP2015	NK	PQ		



- 1 MATERIAL:
HOUSING - THERMOPLASTIC POLYESTER, GLASS FILLED, UL94-0.
POST - COPPER ALLOY
- 2 FINISH:
HOUSING - BLACK
POST - SEE NOTES 12 AND 13.
- 3 POST TO WITHSTAND 3LBS. (16N) MIN AXIAL FORCE IN THIS DIRECTION WITHOUT DISLODGING.
- 4 APPLIES AT -A-.
- 5 APPLIES WHEN HEADER IS STRAIGHT.
- 6 PLASTIC PROJECTIONS PERMITTED IN THIS ZONE.
- 7 COORDINATE DIMENSIONS APPLIES FROM CENTER OF ACTUAL FEATURE.
- 8 SOLDER SIDE OF BOARD IS SHOWN.
- 9 POST SOLDER TAIL MUST COMPLY WITH AMP SOLDERABILITY SPEC 109-11-2.
- 10 LATCH DETENT FEATURE APPEARS 1 PLACE ON EACH END OF PART (MAX OF 2 PER PART) ON ALL POSITIONS 4 THRU 12. THE LATCH APPEARS ONLY ONE PLACE ON 2 & 3 POSITION PARTS.
- 11. DIMENSIONS IN BRACKETS ARE IN INCHES.
- 12 MATTE TIN PLATE 0.00381 - 0.00889 [.000150 - .000350] THICK, OVER NICKEL UNDERPLATE 0.00127 [.000050] MIN THICK.
- 13 MATTE TIN PLATE 0.00381 - 0.00889 [.000150 - .000350] THICK, OVER NICKEL UNDERPLATE 0.00127 [.000050] MIN THICK.
- 14 OBSOLETE PARTS: OBSOLETE CIS STREAMLINING PER D.RENAUD/D.SINISI

REV	DATE	BY	APPV	PART NUMBER
49.94	1.966	12	3-647125-2	
45.97	1.810	11	3-647125-1	
42.01	1.654	10	3-647125-0	
38.05	1.498	9	2-647125-9	
34.09	1.342	8	2-647125-8	
30.12	1.186	7	2-647125-7	
26.16	1.030	6	2-647125-6	
22.20	.874	5	2-647125-5	
18.24	.718	4	2-647125-4	
14.27	.562	3	2-647125-3	
10.31	.406	2	2-647125-2	
49.94	1.966	12	1-647125-2	
45.97	1.810	11	1-647125-1	
42.01	1.654	10	1-647125-0	
38.05	1.498	9	647125-9	
34.09	1.342	8	647125-8	
30.12	1.186	7	647125-7	
26.16	1.030	6	647125-6	
22.20	.874	5	647125-5	
18.24	.718	4	647125-4	
14.27	.562	3	647125-3	
10.31	.406	2	647125-2	

647125-6 SHOWN

THIS DRAWING IS A CONTROLLED DOCUMENT.		DIN B. LEWIS 17JUN98		TE Connectivity	
DIMENSIONS: mm [INCHES]		TOLERANCES UNLESS OTHERWISE SPECIFIED:		NAME	
0 PLC ± -		1 PLC ± -		MTA-156 SHROUDED HEADER ASSEMBLY, RIGHT ANGLE FRONT BEND .045 SQUARE POST, TIN, W/O RETENTION PEG	
1 PLC ± -		2 PLC ± -		APPLICATION SPEC	
2 PLC ± -		3 PLC ± .005		SIZE CAGE CODE DRAWING NO	
3 PLC ± -		4 PLC ± -		A1 00779 C=647125	
4 PLC ± -		ANGLES ± -		WEIGHT	
MATERIAL		FINISH		CUSTOMER DRAWING	
				SCALE 5:1 SHEET 1 OF 1 REV E1	