

6

5

4

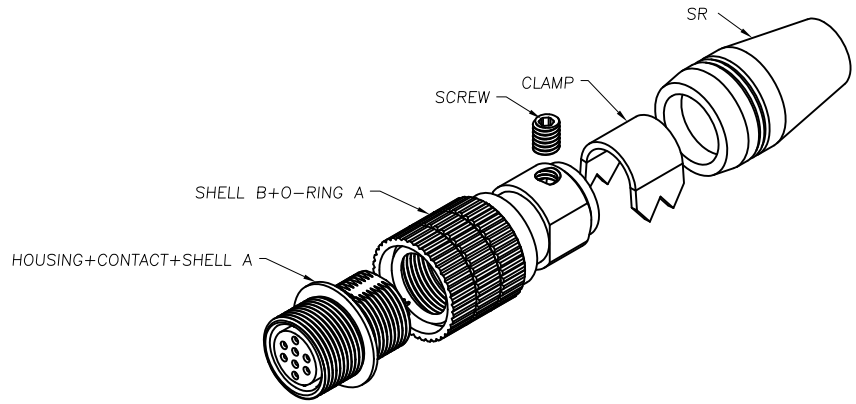
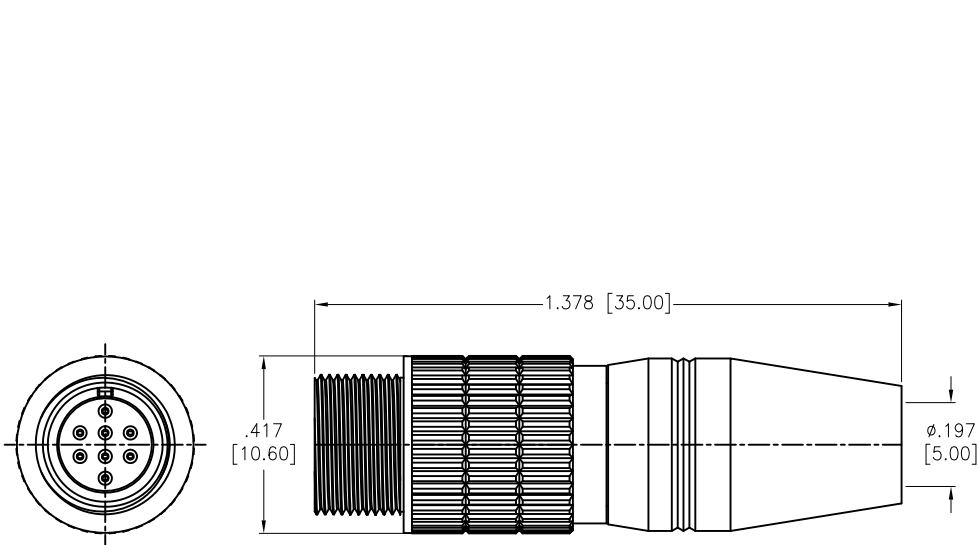
3

2

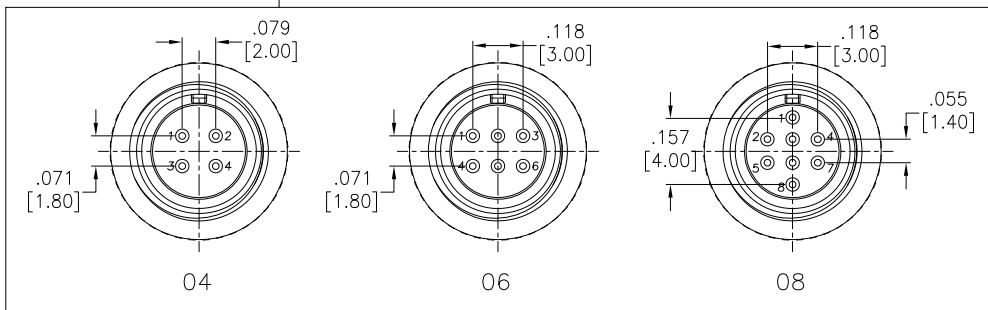
1

Rev	AWO #	Description	Date	Appr
-		RELEASED	11/23/18	

APPROVED: _____
DATE: _____ TITLE: _____



SD-PNLXX-FFTAL-S00-000



SPECIFICATIONS:

Material:
Housing: Nylon 46, rated UL 94V-0, Color: Black
Contacts: Phosphor Bronze, 5u" min. Gold
Shell A: Zinc Alloy, Nickel plated
Shell B: Brass, Nickel plated
O-ring A: NBR, Color: Black
Screw: Alloy Steel, Nickel plated
Clamp: Brass
SR: TPR
Environmental:
Lead free, RoHS compliant



UNLESS OTHERWISE SPECIFIED ALL DIMENSIONS ARE INCHES [MM] TOLERANCES: EXCEPT AS NOTED			
INCHES		HOLES	
.X	± .10	Ø.X	± .10
.XX	± .020	Ø.XX	± .015
.XXX	± .015	Ø.XXX	± .010
APPROVALS		DATE	
DRAWN	HR	11/23/18	
CHECKED	AC	11/23/18	
APPROVED			

ADAM TECH INTERCONNECTS
909 Rahway Avenue,
Union, NJ 07083
Phone: 908-687-5000
Fax: 908-687-5710

TITLE WATERPROOF CONNECTOR, FEMALE M8 DIN, ASSEMBLY, SCREW TYPE, SOLDER			
SIZE X	PART NO. SD-PNLXX-FFTAL-S00-000	REV. -	
REF: S00200T	SCALE: NTS	SHEET 1 OF 1	

6

5

4

3

2

1