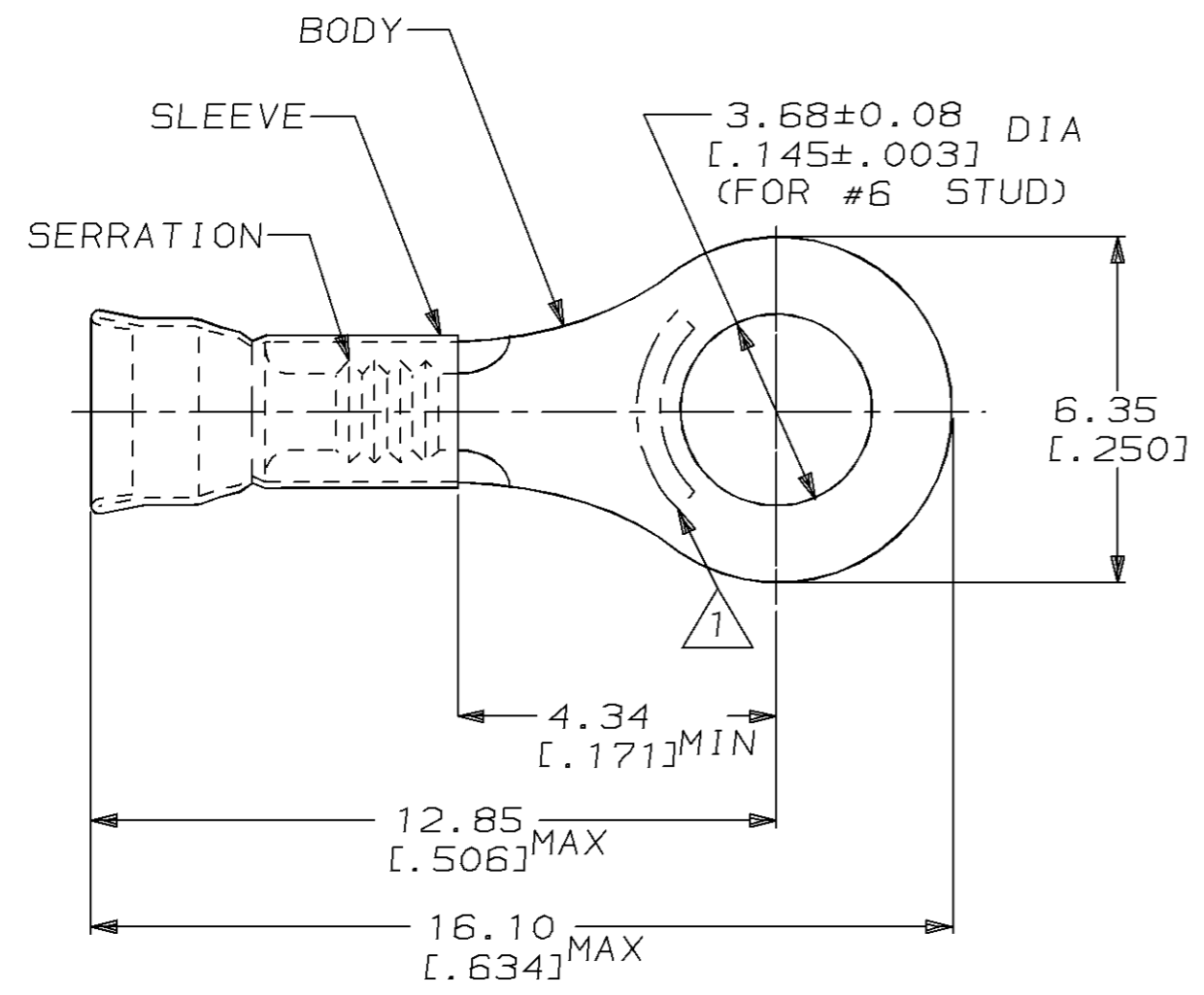


THIS DRAWING IS UNPUBLISHED. RELEASED FOR PUBLICATION ,19 .
 © COPYRIGHT 19 BY AMP INCORPORATED. ALL RIGHTS RESERVED.

LOC		DIST		REVISIONS			
P	LTR	DESCRIPTION		DATE	DWN	APVD	
G	14	F		REDRAWN PER 0720-0470-95	23JAN95	LO ME	

AMP WIRE RANGE	UL E13288	SR LR7189 Certified
16-14 AWG SOLID OR STRANDED	16-14 AWG SOLID OR STRANDED	16-14 AWG SOLID OR STRANDED



1. STAMP AMP 16-14* LOCATE APPROX AS SHOWN

- 2. WIRE INSUL DIA, 2.67-3.81 [$.105-.150$]
- 3. TONGUE MATL THK, 0.79±0.05 [$.031 \pm .002$]

-	-	-
1000	LOOSE PIECE	32188
QTY	PACKAGE TYPE	PART NO

AMP INCORPORATED CUSTOMER SERVICE SYSTEM		MAX RECOMMENDED OPERATING TEMPERATURE: 170°C [338°F]	THIS DRAWING IS A CONTROLLED DOCUMENT FOR AMP INCORPORATED. IT IS SUBJECT TO CHANGE AND THE CONTROLLING ENGINEERING ORGANIZATION SHOULD BE CONTACTED FOR THE LATEST REVISION.		DWN L OLMEDA 23JAN95	AMP AMP Incorporated Harrisburg, PA 17105-3608		
FOR ADDITIONAL PRODUCT INFORMATION OR COPIES OF DRAWINGS AND TECHNICAL DOCUMENTS	PRODUCT INFORMATION CENTER 1-800-522-6752		DIMENSIONS: mm [in]	TOLERANCES UNLESS OTHERWISE SPECIFIED:	CHK M ELLIS 23JAN95		APVD S BORTNER 23JAN95	NAME TERMINAL, RING, DIAMOND GRIP, WIRE SIZE, 16-14 AWG
FOR APPLICATION TOOLING INFORMATION	TOOLING ASSISTANCE CENTER 1-800-722-1111	VOLTAGE RATING: -		0 PLC ±-	1 PLC ±-	2 PLC ±0.20 [.008]	PRODUCT SPEC UL486A	
FOR ORDER ENTRY	1-800-526-5142	CIRCULAR MIL AREA: 1.04mm ² -2.62mm ² [2050-5180]		3 PLC ±-	4 PLC ±-	ANGLES ±-	APPLICATION SPEC -	SIZE A3
			MATERIAL BODY, CU, SLV, CU PER ASTM B152	FINISH TIN PLATE PER MIL-T-10727	WEIGHT -	CAGE CODE 00779	DRAWING NO C-32188	
					CUSTOMER DRAWING	SCALE 8:1	SHEET 1 OF 1	REV F