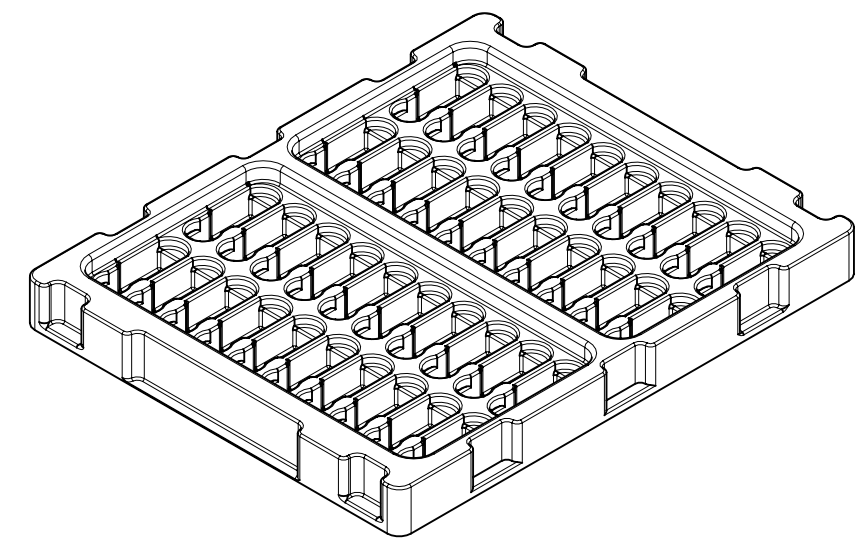
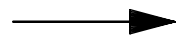
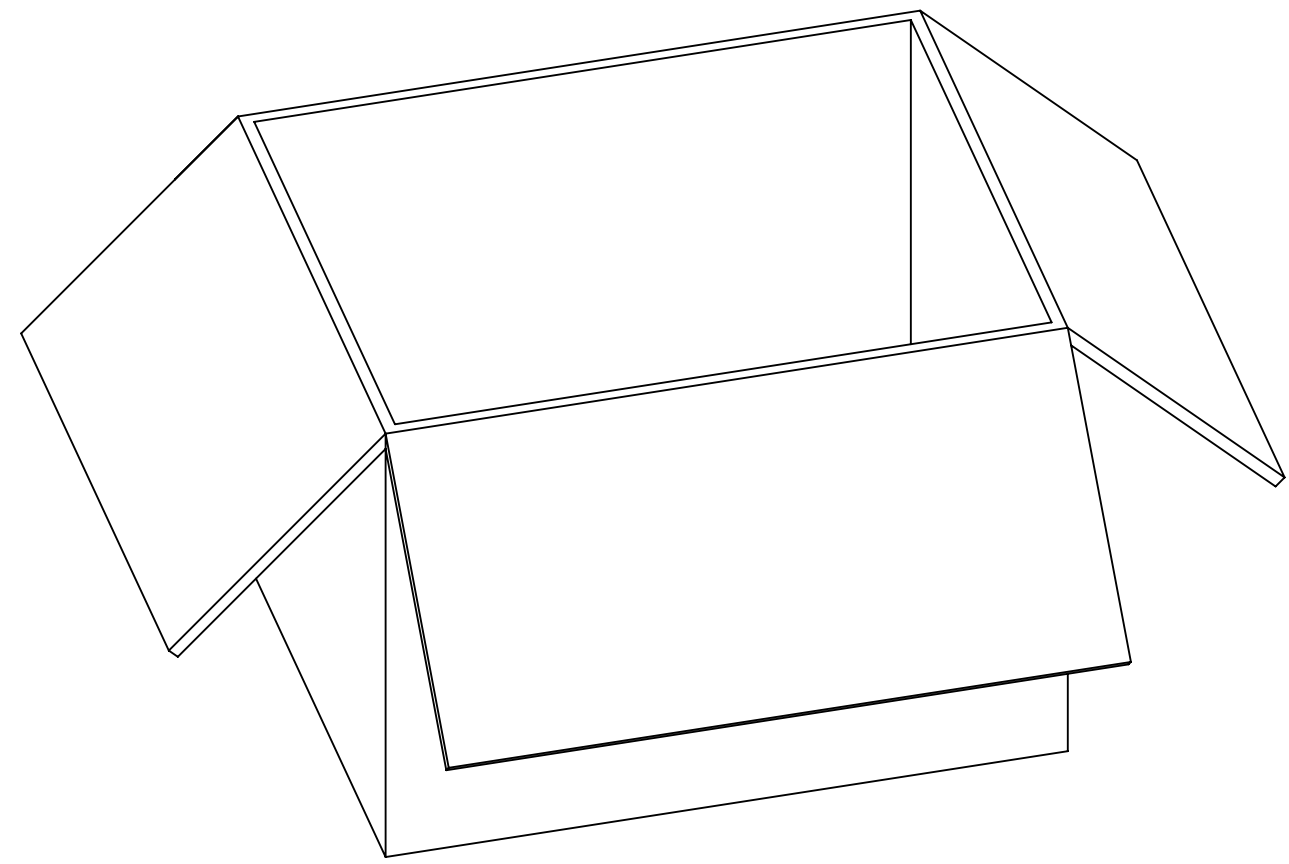
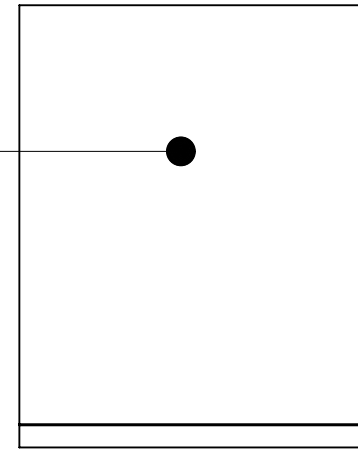


PRODUCT  
P/N: XXXXX-XXXX



40 PCS PER TRAY

ACCESSORY 600 PCS PER BAG  
BE PLACED RESPECTIVELY  
INTO CARTON BOX



600 SETS PER CARTON BOX

THIS DRAWING CONTAINS INFORMATION THAT IS PROPRIETARY TO MOLEX ELECTRONIC TECHNOLOGIES, LLC AND SHOULD NOT BE USED WITHOUT WRITTEN PERMISSION

DIMENSION UNITS		SCALE		CURRENT REV DESC: NEW RELEASE PER EWR #15500-B				<b>molex</b>							
mm		NTS													
GENERAL TOLERANCES (UNLESS SPECIFIED)								PACKING SPEC 89707-0169 ACCESSORY DU 600 EWR-15500							
ANGULAR TOL		±	°	EC NO: 738684				PRODUCT CUSTOMER DRAWING							
4 PLACES		±		DRWN: RYEH		2023/02/15		DOCUMENT NUMBER <b>895420590</b>							
3 PLACES		±		CHK'D: YCHENG		2023/02/16						DOC TYPE		DOC PART	
2 PLACES		±		APPR: YCHENG		2023/02/16						PSD		000	
1 PLACE		±		INITIAL REVISION:				REVISION		A					
0 PLACES		±		DRWN: RYEH		2023/02/15		MATERIAL NUMBER		CUSTOMER					
				APPR: YCHENG		2023/02/16		895420590							
DRAFT WHERE APPLICABLE MUST REMAIN WITHIN DIMENSIONS				THIRD ANGLE PROJECTION		DRAWING		SERIES		SHEET NUMBER					
						C-SIZE		89542		1 OF 1					

DOCUMENT STATUS	P1	RELEASE DATE	2023/02/16	04:47:02
-----------------	----	--------------	------------	----------

**MATERIALS AND FINISHES:**

BODY: ZINC ALLOY  
PLATED: SEE TABLE

CENTER CONTACT: PHOSPHOR BRONZE  
PLATED GOLD

INSULATOR: PTFE

JAM NUT: BRASS  
PLATED NICKEL

LOCK WASHER: PHOSPHOR BRONZE  
PLATED NICKEL

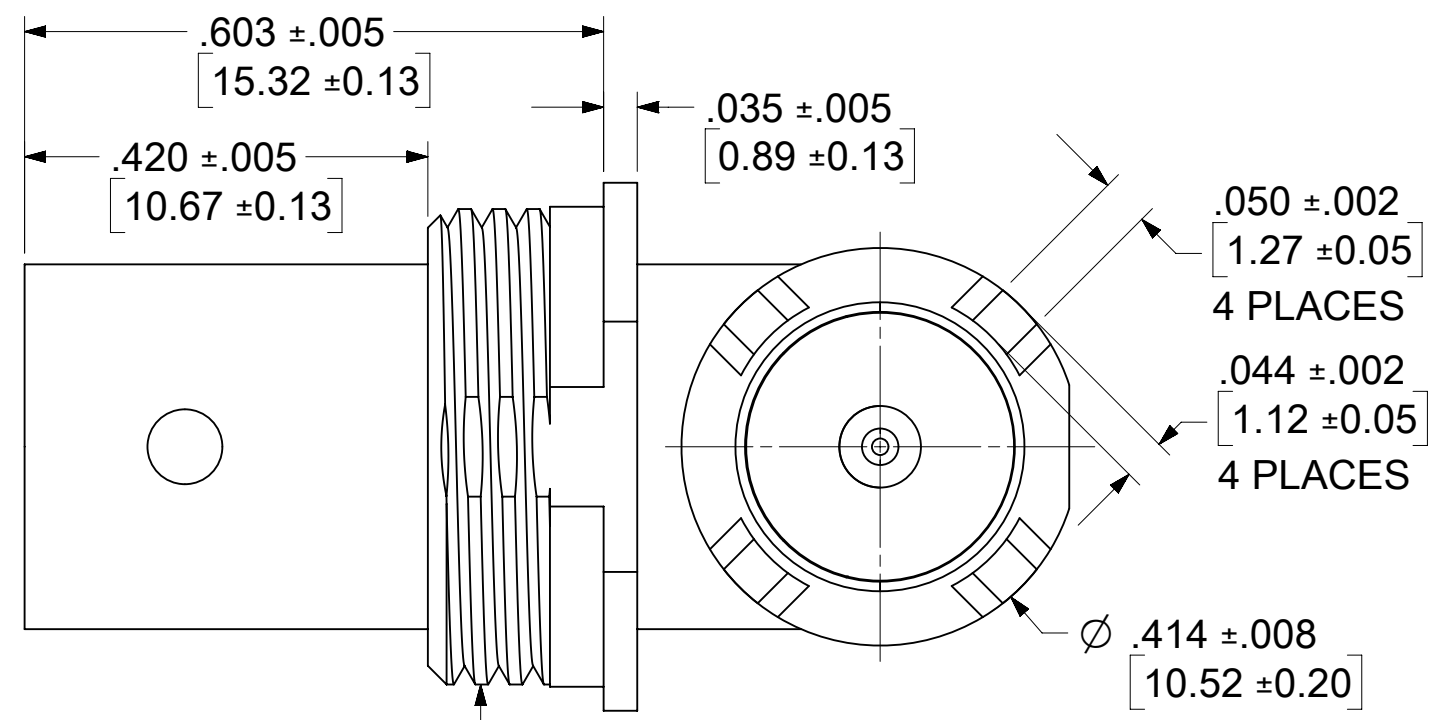
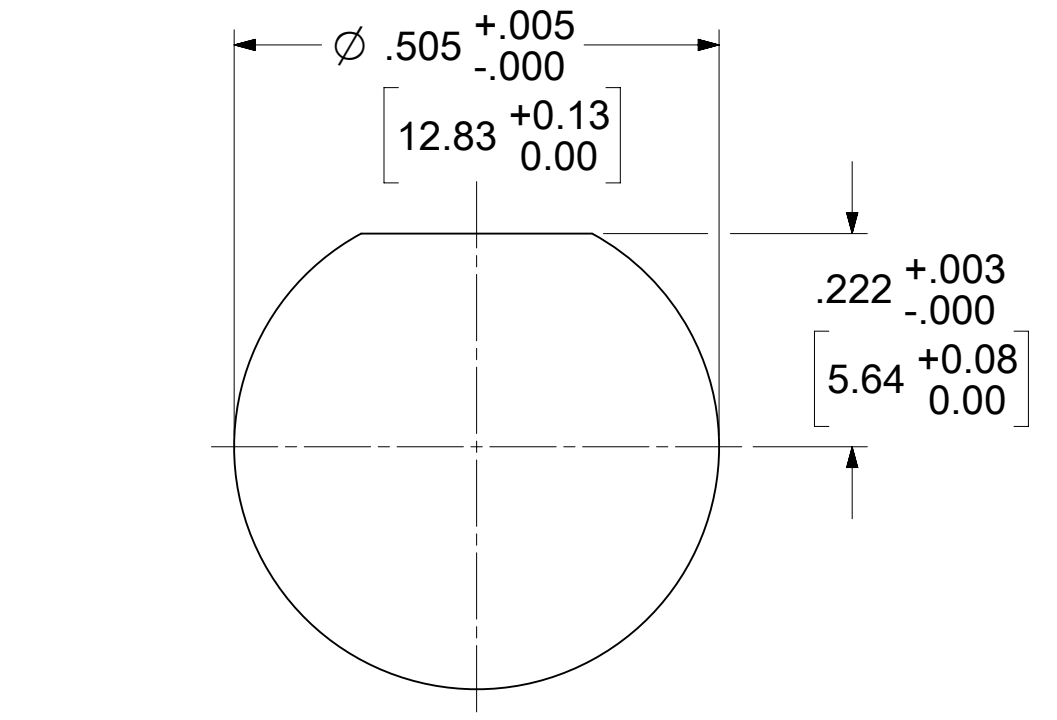
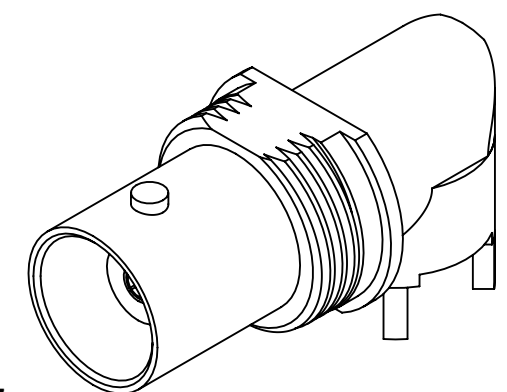
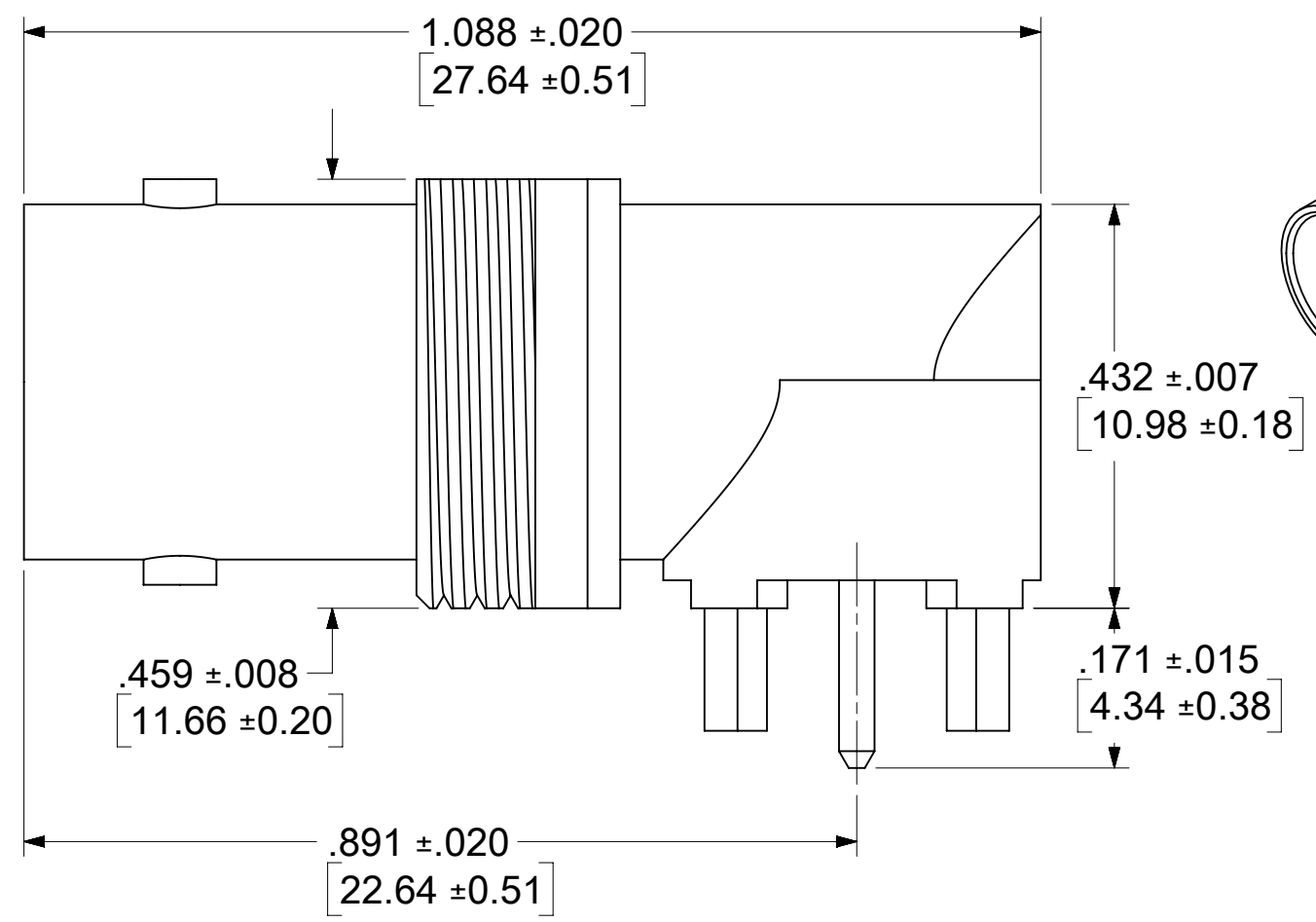
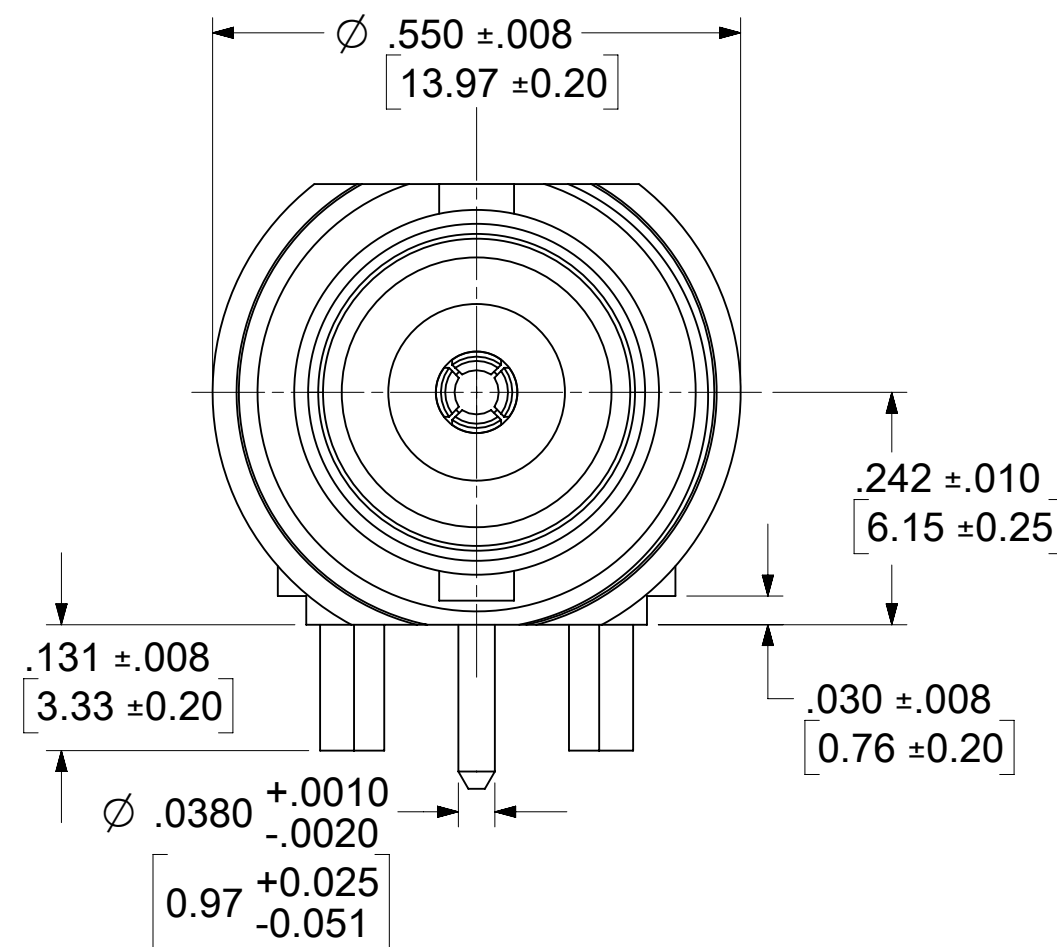
**MECHANICAL CHARACTERISTICS:**

**FORCE TO ENGAGE & DISENGAGE:**

AXIAL: 5 lbs TYP; RADIAL: 2.5 in-lb MAX  
CONNECTOR DURABILITY: 500 CYCLES MIN

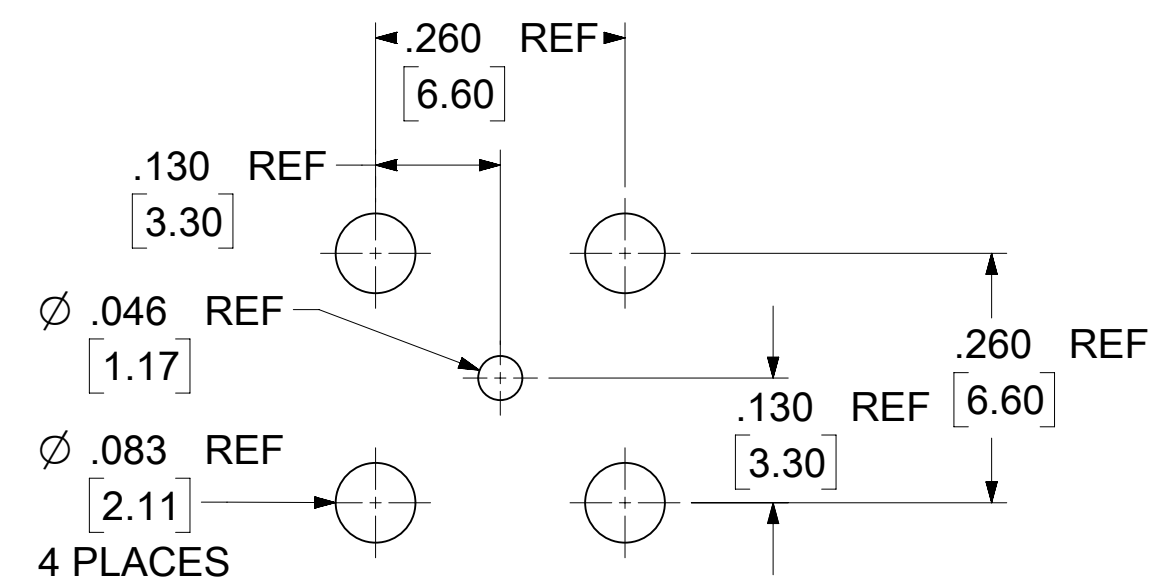
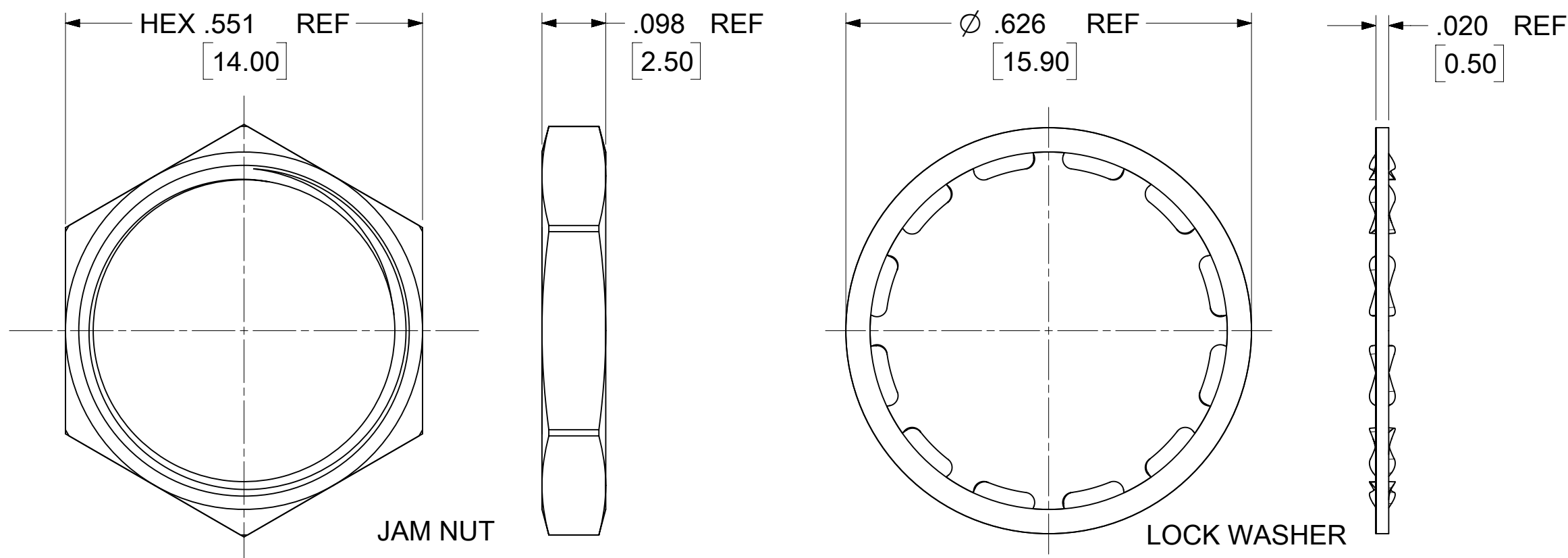
**ELECTRICAL CHARACTERISTICS:**

NOMINAL IMPEDANCE: 50Ω  
FREQUENCY RATING: DC TO 4 GHz  
VSWR: 1.25 TYP  
INSERTION LOSS: 0.12√F(GHz) dB TYP



RECOMMENDED PANEL CUTOUT

1/2-28 UNEF-2A



RECOMMENDED PCB HOLE PATTERN

73171-1362	INCLUDED	NICKEL	895420590
73171-1361	INCLUDED	TIN	895420590
73171-1360	NOT INCLUDED	TIN	895420580
PART NO.	WASHER/NUT	BODY PLATING	PACKING SPEC

PS-89675-1030	ELEC/MECH PERFORMANCE
MIL-STD-348A, FIG. 301.2	INTERFACE
SPECIFICATION	DESCRIPTION

DOCUMENT STATUS	P1	RELEASE DATE	2023/03/29 03:23:45
-----------------	----	--------------	---------------------

THIS DRAWING CONTAINS INFORMATION THAT IS PROPRIETARY TO MOLEX ELECTRONIC TECHNOLOGIES, LLC AND SHOULD NOT BE USED WITHOUT WRITTEN PERMISSION

DIMENSION UNITS	SCALE	CURRENT REV DESC: ADD ELECTRICAL & MECHANICAL CHARACTERISTICS PER EWR #15500-C	<b>molex</b>							
INCH/MM	NTS									
GENERAL TOLERANCES (UNLESS SPECIFIED)		EC NO: 743585	BNC JACK, R/A, PCB 50 OHMS, BULKHEAD BNC-J/PCB							
ANGULAR TOL	± 2.0°									
4 PLACES	±	DRWN: RYEH 2023/03/21	PRODUCT CUSTOMER DRAWING							
3 PLACES	±	CHK'D: YCHENG 2023/03/29								
2 PLACES	±	APPR: YCHENG 2023/03/29	DOCUMENT NUMBER							
1 PLACE	±	INITIAL REVISION:								
0 PLACES	±	DRWN: AROBERTSON 2005/01/25	SD-73171-136							
		APPR: JWIENER 2005/01/25								
DRAFT WHERE APPLICABLE MUST REMAIN WITHIN DIMENSIONS		THIRD ANGLE PROJECTION	DRAWING	SERIES	MATERIAL NUMBER	CUSTOMER	DOC TYPE	DOC PART	REVISION	SHEET NUMBER
			C-SIZE	73171	SEE TABLE	GENERAL MARKET	PSD	001	C11	1 OF 1