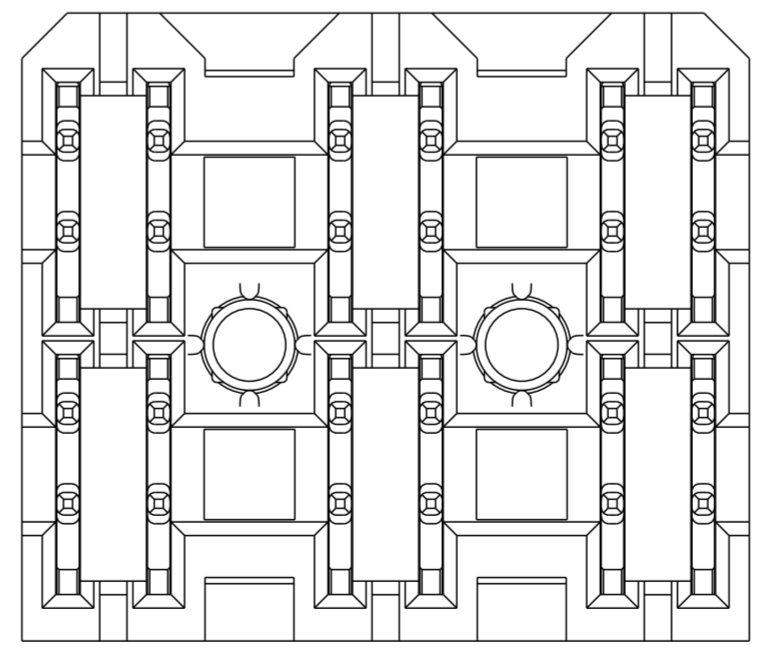
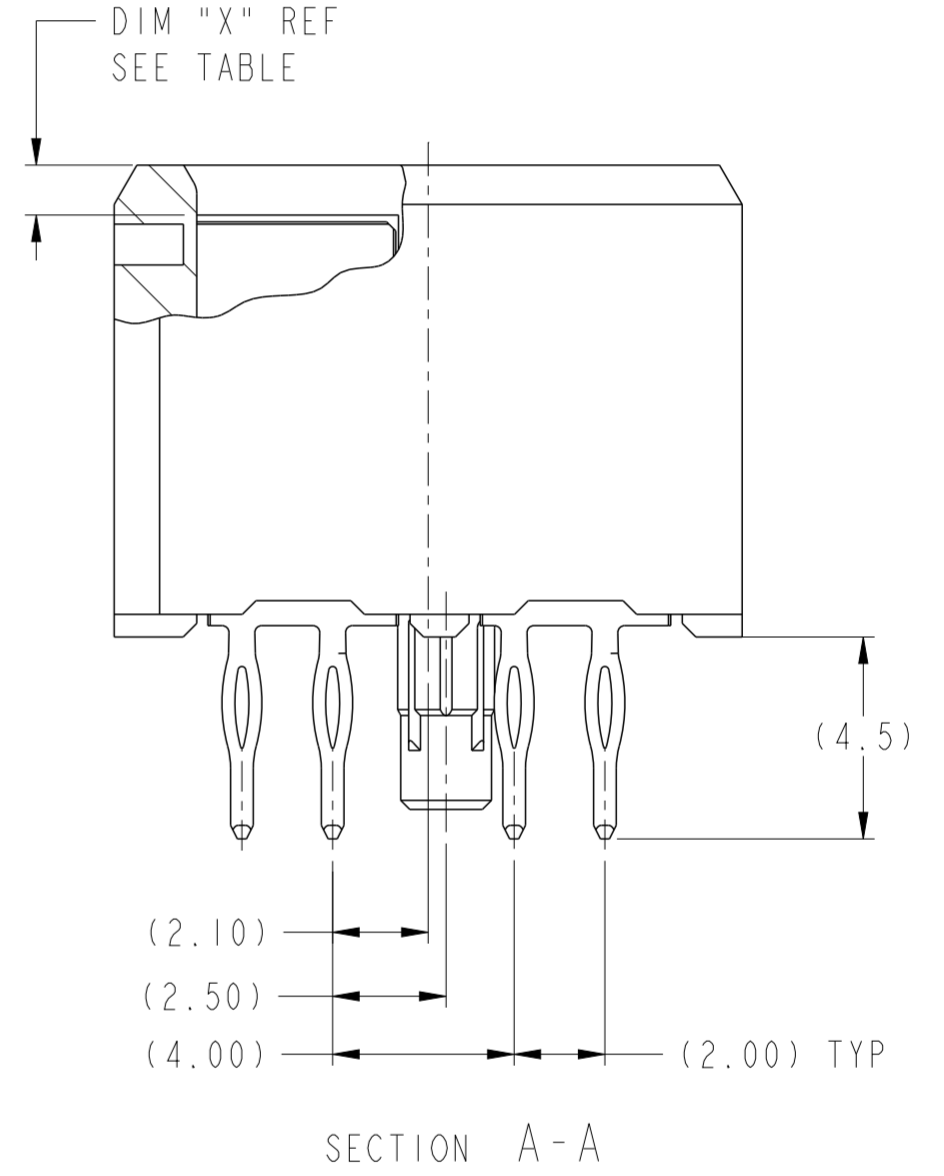
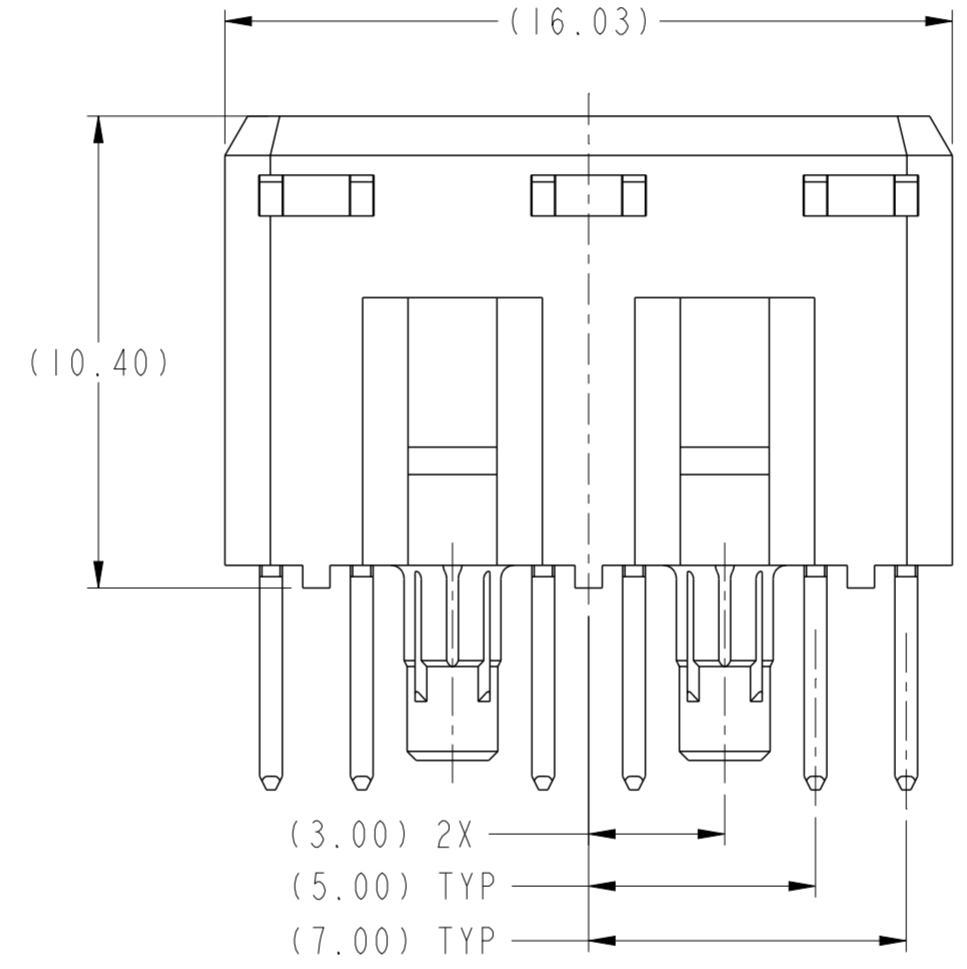
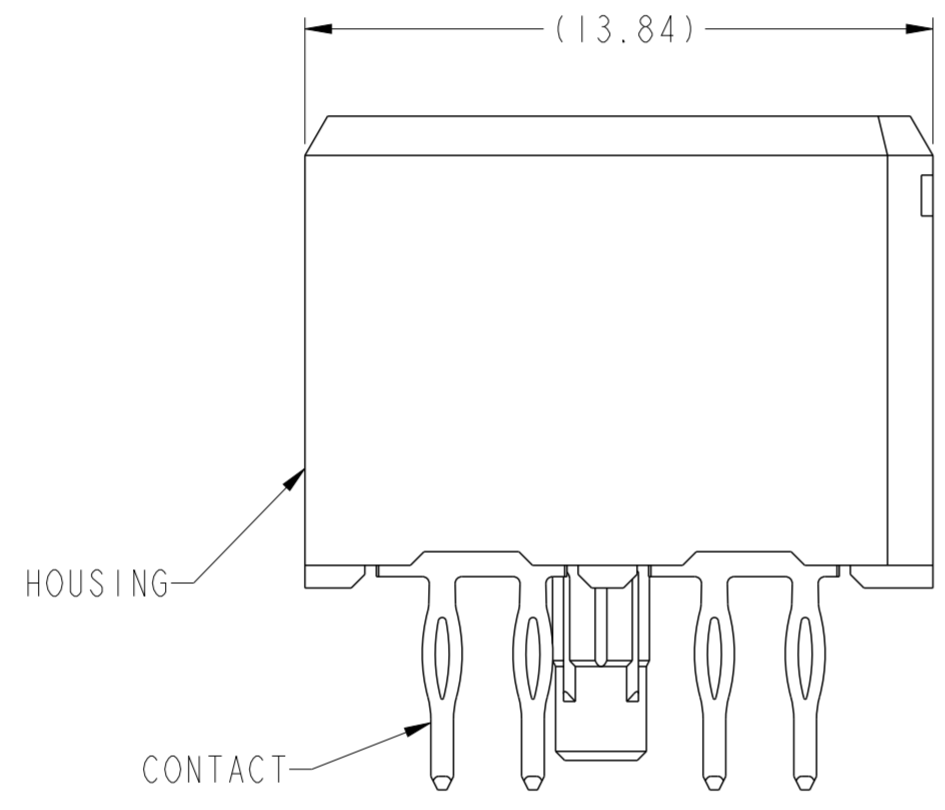
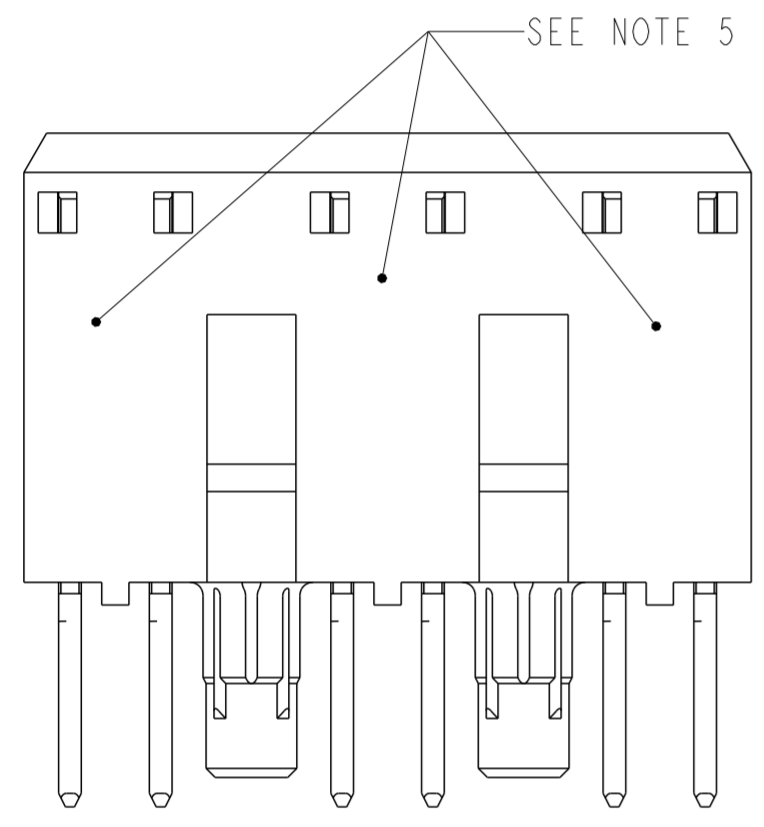
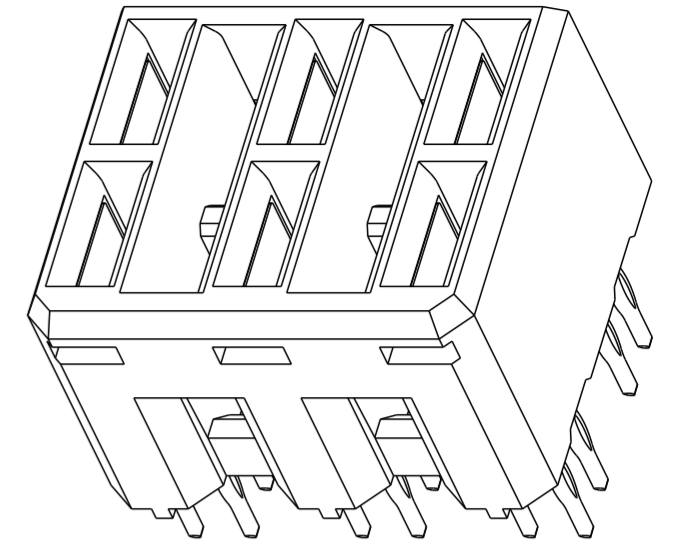
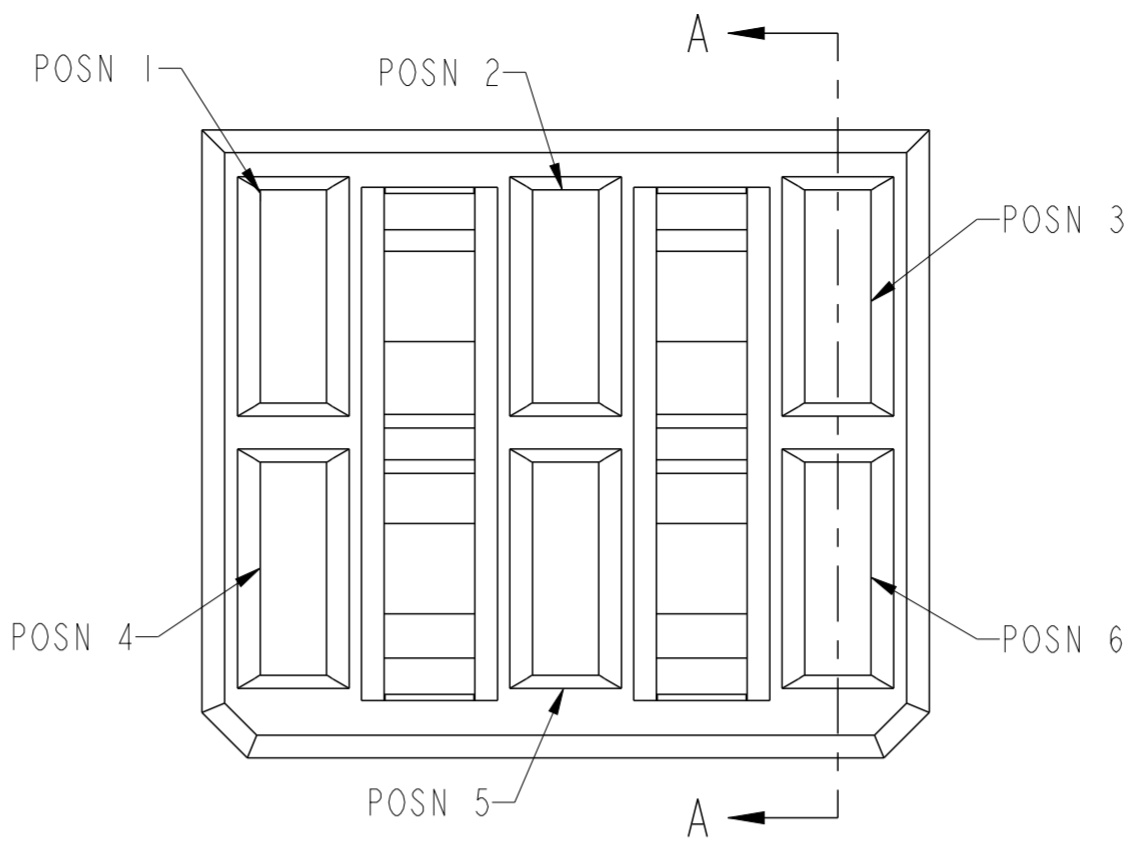


PRODUCT NUMBER	PLATING NOTE	MATING LENGTH, DIM "X"					
		POSN 1	POSN 2	POSN 3	POSN 4	POSN 5	POSN 6
10061290-555444PLF	NOTE 2	2.60	2.60	2.60	1.10	1.10	1.10
10061290-545555PLF	NOTE 2	2.60	1.10	2.60	2.60	2.60	2.60
10061290-554554PLF	NOTE 2	2.60	2.60	1.10	2.60	2.60	1.10
10061290-555445PLF	NOTE 2	2.60	2.60	2.60	1.10	1.10	2.60
10061290-554555PLF	NOTE 2	2.60	2.60	1.10	2.60	2.60	2.60
10061290-444545PLF	NOTE 2	1.10	1.10	1.10	2.60	1.10	2.60



Amphenol FCI

© 2016 AFCI

spec ref	GS-12-220	dr	Chen-Hong Tan	2006/06/21	projection	MM	size	A2	scale	6:1
tolerance std	ASME Y14.5	eng	Terry Luo	2017/09/07			ecn no	ELX-DG-27905-1		
TOLERANCES UNLESS OTHERWISE SPECIFIED		chr	-				rel level	Released		
surface	-	appr	Heaven Cen	2017/09/11	product family	2mm High Power		rel level	Released	
ASME Y14.5	linear	0.X	±0.3		Amphenol FCI TITLE 2X3 VERTICAL RECEPTACLE ASSY AIRMAX POWER cat. no. -			rel level	Released	
		0.XX	±0.10					rel level	Released	
		0.XXX	±0.050					rel level	Released	
	angular	0°	±2°	Product - Customer Drw			sheet 1 of 2			

PDS: Rev :J

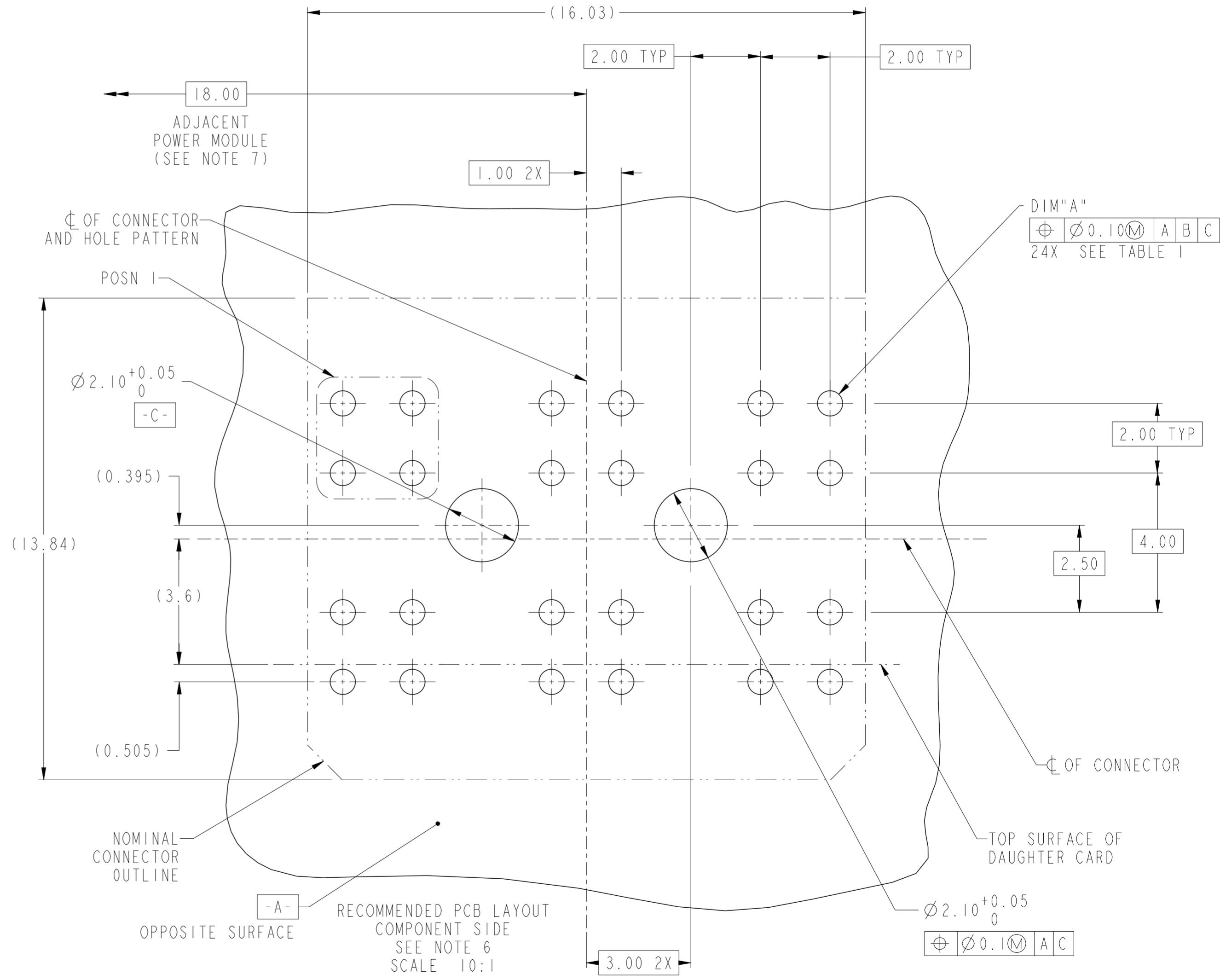
STATUS:Released

Printed: Sep 11, 2017

TOP LAYER DESCRIPTION	TABLE I PLATED THROUGH-HOLE REQUIREMENTS							
	DRILLED HOLE DIAMETER	COPPER THICKNESS	TIN-LEAD THICKNESS	NICKEL THICKNESS	GOLD THICKNESS	TIN THICKNESS	SILVER THICKNESS	FINISHED HOLE DIAMETER (DIM"A")
TIN-LEAD	0.81-0.86 (0.85 DRILL)	0.025 - 0.050	0.005 - 0.015	--	--	--	--	0.65 - 0.80
IMMERSION TIN	0.81-0.86 (0.85 DRILL)	0.025 - 0.050	--	--	--	0.9 - 1.5um	--	0.70 - 0.80
IMMERSION SILVER	0.81-0.86 (0.85 DRILL)	0.025 - 0.050	--	--	--	--	0.15 - 0.65um	0.70 - 0.80
COPPER (SEE NOTE 11)	0.81-0.86 (0.85 DRILL)	0.025 - 0.050	--	--	--	--	--	0.70 - 0.80
GOLD	0.81-0.86 (0.85 DRILL)	0.025 - 0.050	--	0.003 - 0.007	FLASH UP TO 0.0002	--	--	0.69 - 0.80

NOTES:

- CONNECTOR MATERIALS:
HOUSING: HIGH TEMPERATURE THERMOPLASTIC, BLACK
UL 94V-0 COMPLIANT
CONTACT: HIGH PERFORMANCE COPPER ALLOY
- CONTACT PLATING:
PRESS-FIT TAIL: 0.5 - 1.5um MATT TIN OVER NICKEL.
SEPARABLE INTERFACE :0.76um MIN GXT OVER NICKEL.
- PRODUCT SPECIFICATION: GS-12-220
- APPLICATION SPECIFICATION: GS-20-023
- PRODUCT MARKING (PRODUCT NUMBER & LOT CODE) ON HOUSING IN AREA SHOWN, EITHER SIDE.
- MINIMUM NOMINAL BOARD THICKNESS: 2.4mm
- REFER TO CUSTOMER DRAWING 10035911 FOR INFORMATION REGARDING PCB LAYOUT OF POWER AND GUIDE MODULES RELATIVE TO AIRMAX SIGNAL MODULES.
- PRODUCT MEETS EUROPEAN UNION DIRECTIVES AND OTHER COUNTRY REGULATIONS AS DESCRIBED IN FCI SPECIFICATION GS-22-008.
- PACKAGING MEETS FCI SPECIFICATION GS-14-920
- HOUSING COMPONENT WILL WITHSTAND EXPOSURE TO 260° PEAK TEMPERATURE FOR 60 SECONDS IN A CONVECTION, INFRA-RED OR VAPOR-PHASE REFLOW OVEN.
- COPPER PLATING THICKNESS AT CENTER OF VIA HOLE CAN BE NO MORE THAN 0.003 LESS THAN OTHER AREAS.



Amphenol FCI

© 2016 AFCI

spec ref	GS-12-220	dr	Chen-Hong Tan	2006/06/21	projection	MM	size	A2	scale	10:1	
tolerance std	ASME Y14.5	eng	Terry Luo	2017/09/07	chr	-	ecn no	ELX-DG-27965-1	rel level	Released	
surface	-	appr	Heaven Cen	2017/09/11	product family	-	rel level	Released	cat. no.	-	
linear	0.X ±0.3 0.XX ±0.10 0.XXX ±0.050	Amphenol FCI	TITLE		2X3 VERTICAL RECEPTACLE ASSY		dwg no	10061290		rev	J
angular	0° ±2°	Product - Customer Drw		sheet 2 of 2							

PDS: Rev :J

STATUS:Released

Printed: Sep 11, 2017