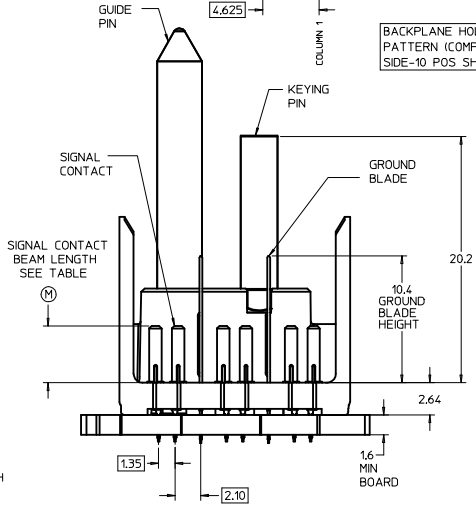
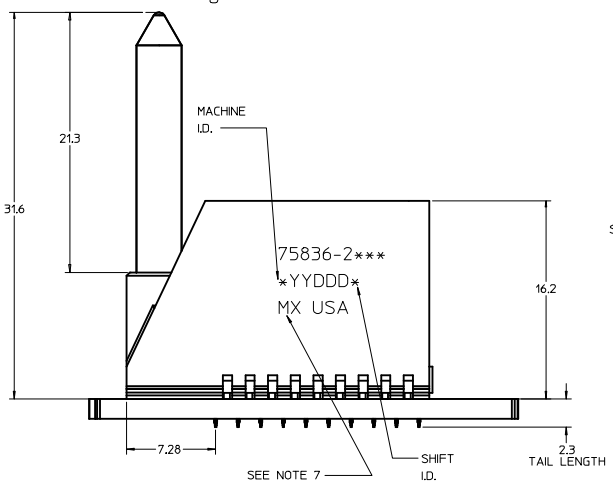
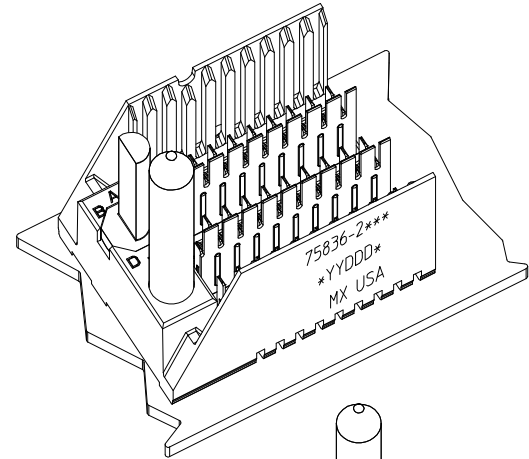
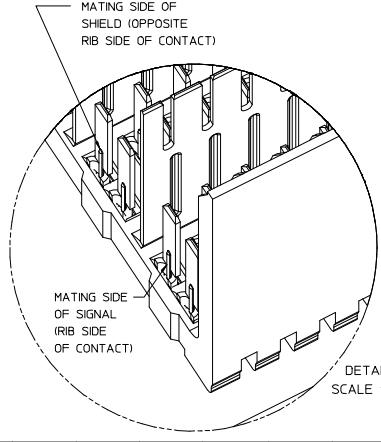


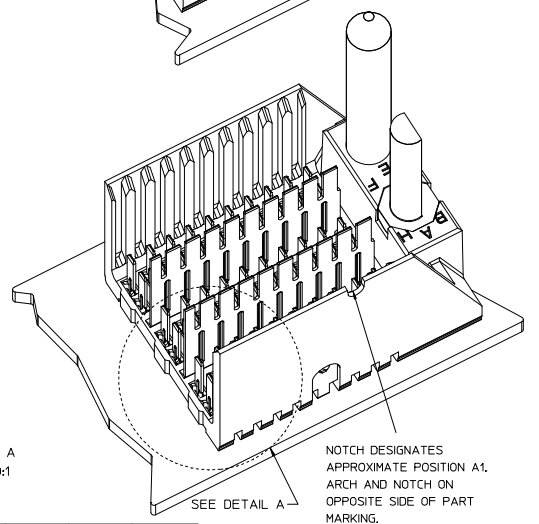
ROW AG & HG RECOMMENDED FOR ALL APPLICATIONS. THESE ROWS SHOULD BE CONNECTED TO GROUND.



BACKPLANE HOLE PATTERN (COMPONENT SIDE-10 POS SHOWN)



DETAIL A SCALE 10:1



NOTES:

- MATERIAL: HOUSING - LIQUID CRYSTAL POLYMER (LCP) GLASS-FILLED, UL 94V-0, COLOR - GRAY, SIGNAL CONTACT AND GROUND BLADE - HIGH PERFORMANCE COPPER ALLOY.
- FINISHES: SELECTIVE GOLD (Au) ON CONTACT AREA, SELECTIVE MATTE TIN (Sn) ON PCB TAILS, NICKEL (Ni) OVERALL.
- THIS PART CONFORMS TO MOLEX PRODUCT SPECIFICATION PS-75221-999.
- FOR MIXED CONTACT MATING LENGTHS CONSULT MOLEX FOR AVAILABILITY. CONTACT PAIRS MUST BE THE SAME LENGTH.
- FOR SPECIFIC PART NUMBER AND MATING INFORMATION PLEASE REFER TO CHART.
- PACKAGE PER PK-70873-572.
- EITHER MARK PART NUMBER AND DATE CODE APPROXIMATELY WHERE SHOWN OR PLACE A LABEL ON THE TUBE.
- OPTIONAL HOLE LOCATION FOR GROUNDED GUIDE PIN OR ADDITIONAL GUIDE PIN SUPPORT, FOR GROUNDED GUIDE PIN, HOLE TO BE PLATED, DRILL SIZE Ø2.58, PAD SIZE Ø5.50.
- THESE PARTS CONFORM TO MOLEX COSMETIC SPECIFICATION PS-45499-002 CLASS B.
- MAPS (MOLEX ADVANCED PLATING SYSTEM).

PART NUMBER TABLE				
ASSY PART NO.	K	L	P	TOTAL NO. OF DIFFERENTIAL PAIRS
75836-21**	9	16.65	24.78	30
75836-22**	24	44.40	52.53	75
75836-25**	4	7.40	15.53	15

75836-2 \*\*\*

MODULE ORIENTATION LEFT = 2

COLUMNS  
1=10 COL  
2=25 COL  
5= 5 COL

KEYING ORIENTATION  
0 = NONE  
1 = A  
2 = B  
ETC...

PIN LENGTH DIM "M"	GOLD (Au) THICKNESS micrometers
0=3.55 mm	0.25 (MAPS)
1=4.55 mm	
2=5.55 mm	
3=3.55 mm	
4=4.55 mm	0.76
5=5.55 mm	
7=3.55 mm	
8=4.55 mm	
9=5.55 mm	1.27

P/N	**0*	**1*	**2*	**3*	**4*	**5*	**6*	**7*	**8*
75863(-)	0	A	B	C	D	E	F	G	H
KEYING PIN ORIENTATION									

LEAD-FREE PLATING ON SIGNALS, & GROUNDS.

DRAWN BY	DATE	TITLE	SCALE	DESIGN UNITS	THIRD ANGLE PROJECTION
			MM ONLY	METRIC	
THOMAS	2006/01/13	GBX 3-PAIR LEFT END BACKPLANE ASSEMBLY			
CHECKED BY	DATE				
KMULVEY	2006/01/16	LEAD-FREE SALES DRAWING			
APPROVED BY	DATE				
JB INGHAM	2006/01/17				
MATERIAL NO.	DOCUMENT NO.				
SEE TABLE	SD-75836-210				
THIS DRAWING CONTAINS INFORMATION THAT IS PROPRIETARY TO MOLEX INCORPORATED AND SHOULD NOT BE USED WITHOUT WRITTEN PERMISSION					