

4

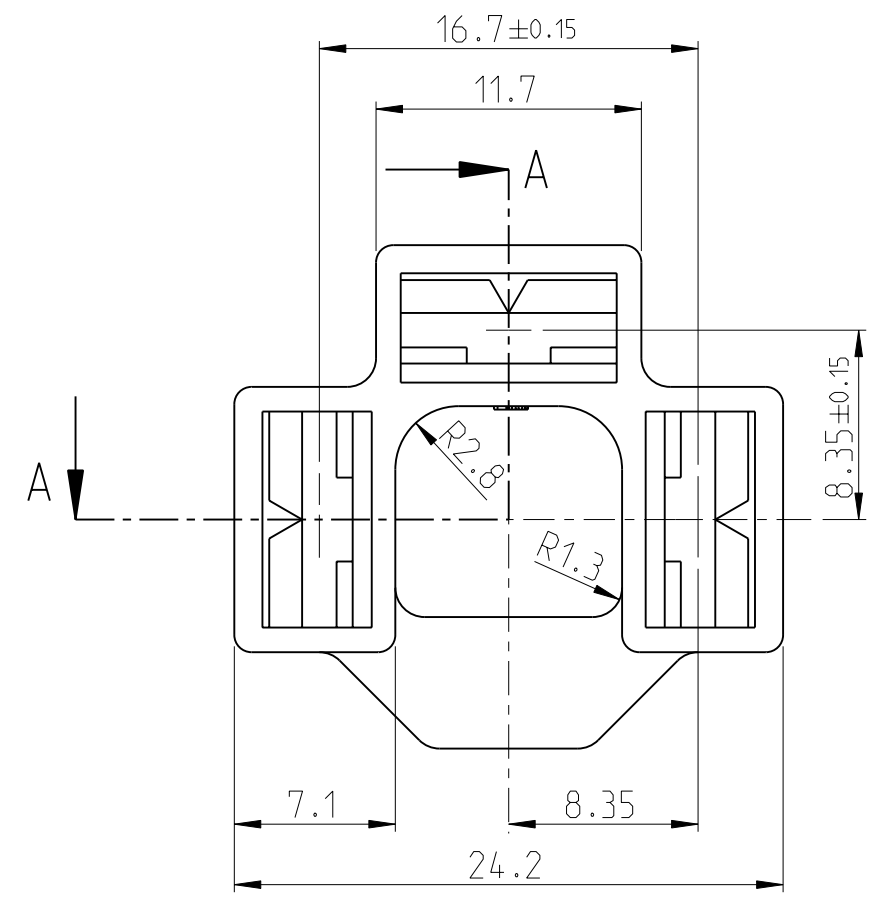
3

2

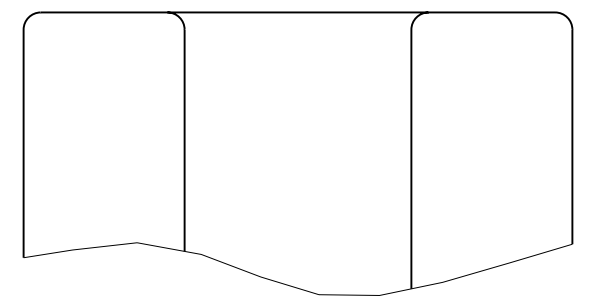
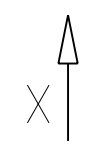
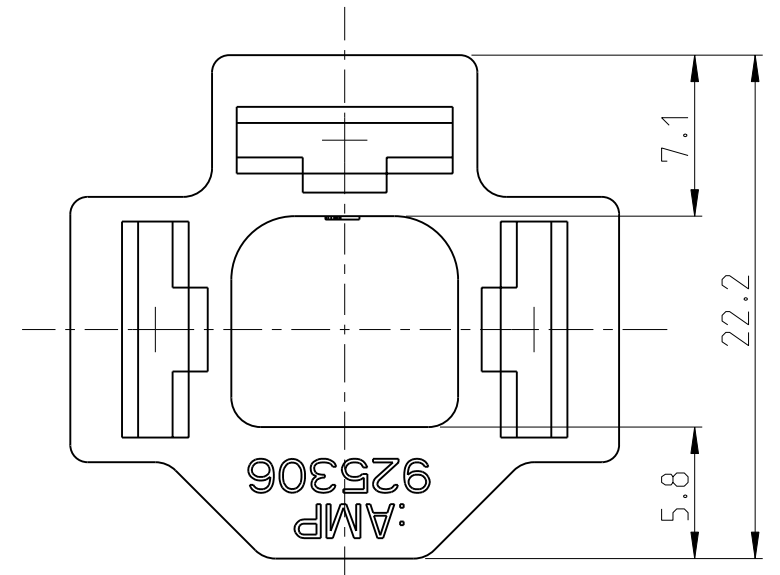
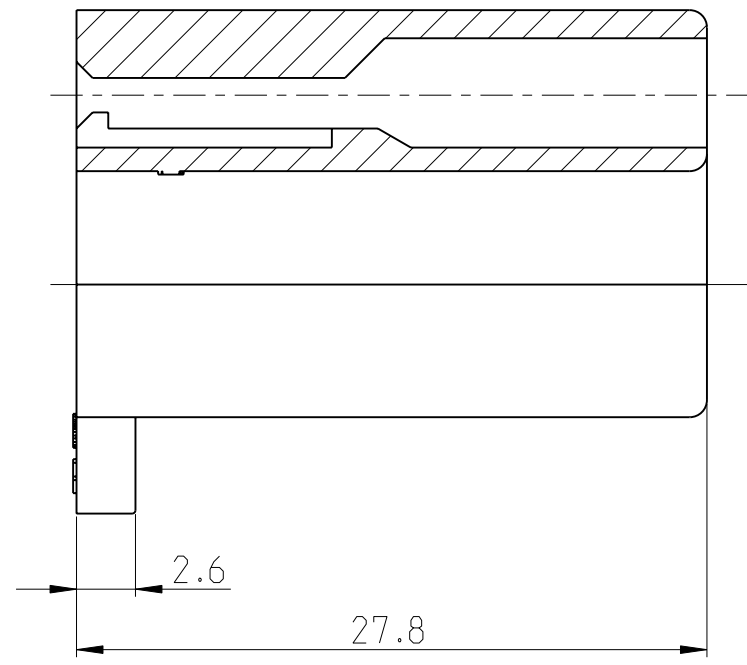
1

THIS DRAWING IS UNPUBLISHED. RELEASED FOR PUBLICATION 2011
 © COPYRIGHT 2011 ALL RIGHTS RESERVED.

LOC	DIST	REVISIONS				
P	LTR	DESCRIPTION	DATE	DWN	APVD	
IR	-	D3	REDRAWN IN CAD AND PITCH TOLERANCE INCREASED	04JAN2012	PKS	RRP




A-A



VIEW X

D	925306-3	PA 66	BLACK
D	925306-2	PA 66	NATURAL
REV	P/N	MATERIAL	FINISH

THIS DRAWING IS A CONTROLLED DOCUMENT.		DWN	SENTHIL	09DEC2011	 TE Connectivity
DIMENSIONS: mm		CHK	SENTHIL	09DEC2011	
TOLERANCES UNLESS OTHERWISE SPECIFIED:		APVD	RAJENRDA	12DEC2011	
0 PLC ±0.2 1 PLC ±0.2 2 PLC ±0.2 3 PLC ± 4 PLC ± ANGLES ±1°		NAME		3 POL. FASTIN-FASTON STECKHUELSENGEHAUSE SERIE 8.0	
MATERIAL SEE TABLE		FINISH SEE TABLE		PRODUCT SPEC	APPLICATION SPEC
		WEIGHT		-	RESTRICTED TO
		CUSTOMER DRAWING		SCALE 3:1	SHEET 1 OF 1
		SIZE A3		CAGE CODE 00779	DRAWING NO. 925306
					REV D3