

THIS DRAWING IS UNPUBLISHED. RELEASED FOR PUBLICATION 20  
 © COPYRIGHT 20 BY - ALL RIGHTS RESERVED.

LOC	DIST	REVISIONS					
CE	00	P	LTR	DESCRIPTION	DATE	DWN	APVD
			G	REV PER ECO-13-001189	24JAN2013	JM	TE

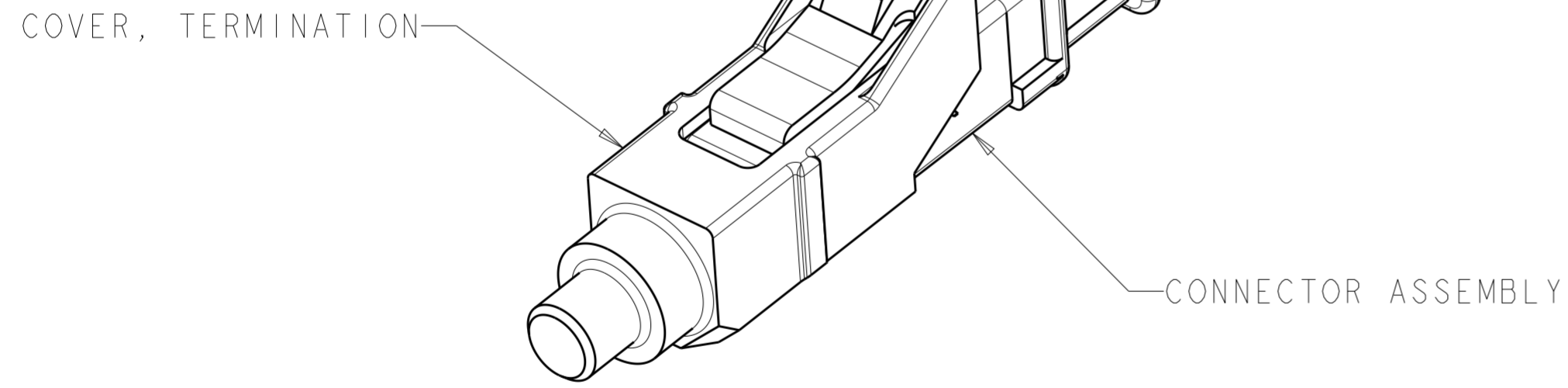
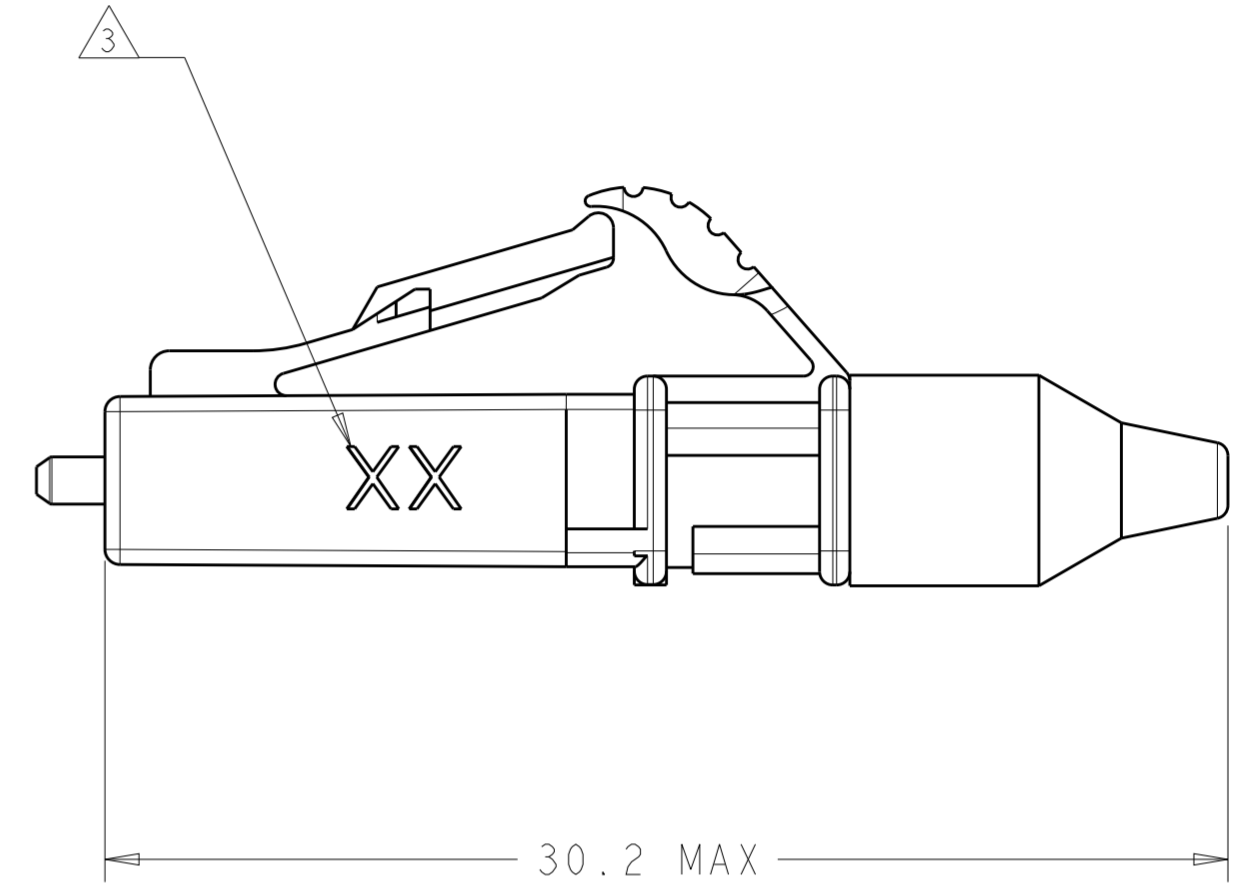
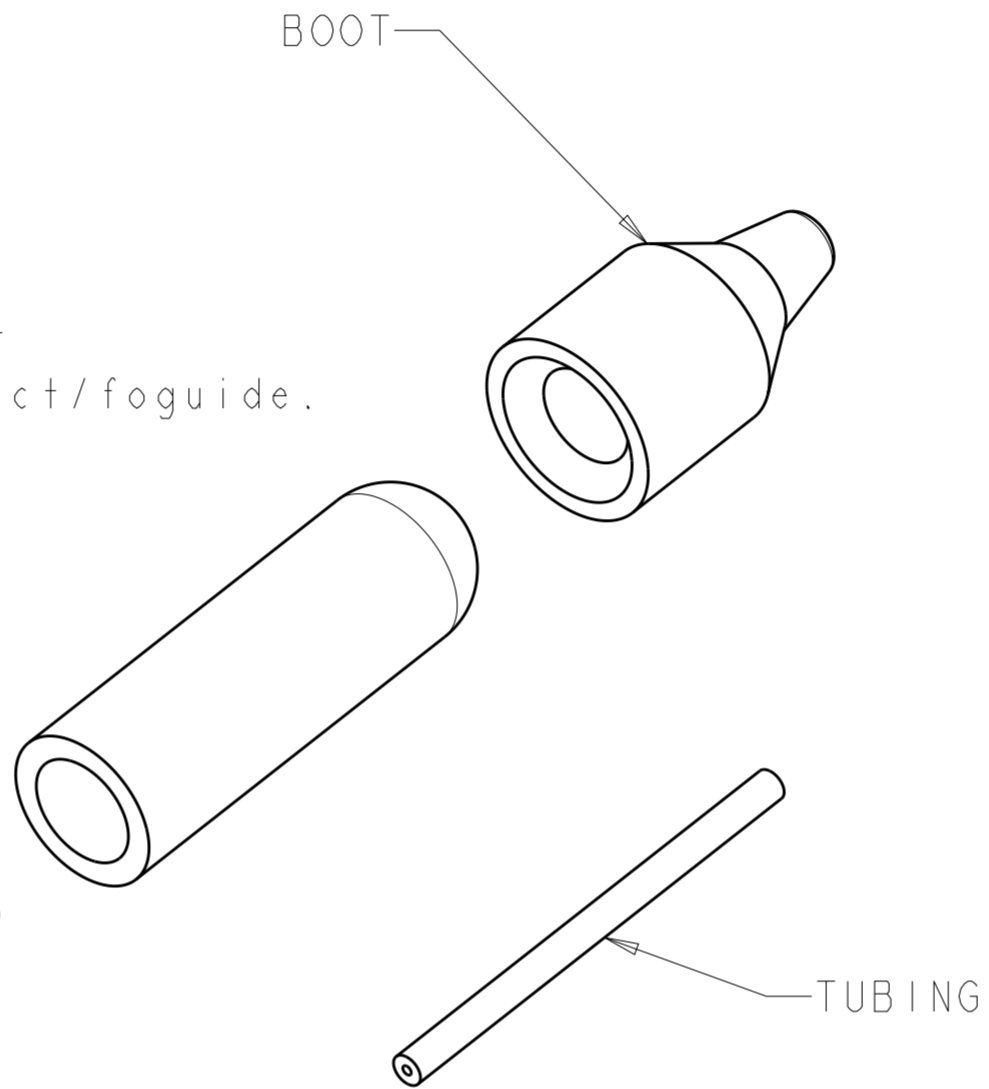
1 MATERIAL:  
 CONNECTOR ASSEMBLY:  
 CONNECTOR HOUSING: PPSU, COLOR: BEIGE \*  
 REAR BODY: METAL  
 COMPRESSION SPRING: METAL  
 FERRULE SUB ASSEMBLY: ZIRCONIA/ METAL  
 INTERNAL SPLICE: PEI \*  
 PLUNGER: METAL  
 BOOT: TPE, SEE TABLE FOR COLOR  
 BUILD-UP TUBE: TPE  
 TERMINATION COVER: PBT, COLOR: BLACK  
 REAR PROTECTIVE COVER: VINYL, COLOR: RED

\* UL 94 V-0 RATED AT QUALIFYING THICKNESS

2. INSTRUCTION SHEET: 408-8925 AVAILABLE FOR DOWNLOAD AT  
[www.tycoelectronics.com/documents](http://www.tycoelectronics.com/documents) OR [www.ampnetconnect/foguide](http://www.ampnetconnect/foguide).

3 MARK WITH MM, LOCATED APPROXIMATELY AS SHOWN.

4 BULK PACKAGED



**SUPERCEDED BY:**  
6754483-4

4	BEIGE	62.5/125um	6754483-7
4	BLACK	50/125um	6754483-6
4	AQUA	XG 50/125um	6754483-5
	AQUA	XG 50/125um	6754483-4
	GRAY	XG 50/125um	6754483-3
	BLACK	50/125um	6754483-2
	BEIGE	62.5/125um	6754483-1
	BOOT COLOR	DESCRIPTION	PART NO.

THIS DRAWING IS A CONTROLLED DOCUMENT.		DWN D ERDMAN 24DEC2005	<b>STE</b> TE Connectivity	
		CHK M GURRERI 24DEC2005		
DIMENSIONS: mm		APVD BAECHTLE 24DEC2005	NAME KIT, CONNECTOR, LightCrimp Plus LC SIMPLEX, MM 250-900um BUFFER	
TOLERANCES UNLESS OTHERWISE SPECIFIED: 0 PLC ±- 1 PLC ±0.5 2 PLC ±0.13 3 PLC ±0.013 4 PLC ±0.0001 ANGLES ±- FINISH		PRODUCT SPEC -	SIZE A200779	DRAWING NO C-6754483
MATERIAL		APPLICATION SPEC -	RESTRICTED TO -	
		WEIGHT -	SCALE 5:1	SHEET 1 OF 1
		CUSTOMER DRAWING	REV G	